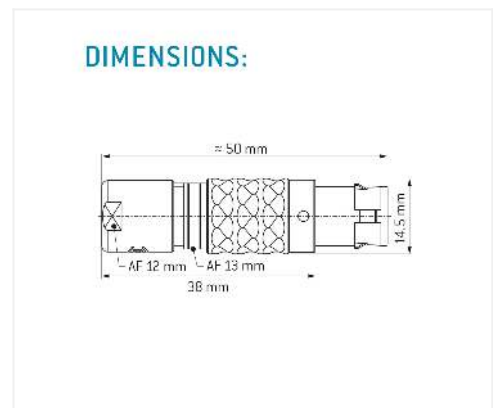
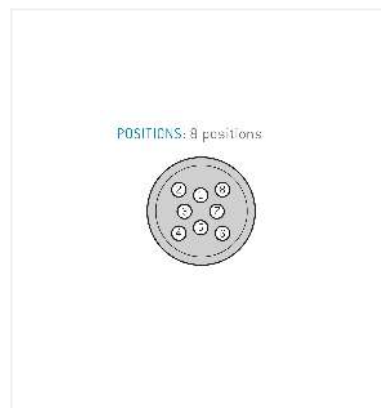


General information

| | |
|-------------------|---------------------|
| Part number | S12LOC-PD8MJG0-8200 |
| Termination | solder |
| Size | 2 |
| Locking principle | push |
| Coding | 0_key |
| Cable Diameter | cable_mini_82 |
| Cable outlet | standard |



Contact insert description

| | |
|----------------------|-------------|
| Number of contacts | 8 |
| Contact type | pins |
| Contact diameter | 09mm |
| Insulator material | peek |
| Wire cross section | 22_awg |
| Termination | solder |
| Termination diameter | 085mm |
| Data transmission | ethernet_10 |

reverse_gender_on_request

Connection diagram

con_ethernet_10

Technical information

| | | |
|---|----------|---------------|
| Max. creepage and air clearance distance | 12_mm | 11_mm |
| Nominal current single contact | 075_a | iec_60512_5_2 |
| Nominal current insert | 4,875 A | vde_0298_4 |
| Test voltage | 15_kv_ac | sae_13441 |

safety_text

Mechanical and environmental data

| | |
|------------------------------|----------|
| Degree of protection* | ip50 |
| Operating temperature | 40_120_c |
| Mating cycles | 5000 |

mated_unmated

Material and surface treatments

| | |
|----------------|---------------|
| Housing | m_chrome |
| Contact | cu_alloy_gold |

data_text

safety_text_2

data_text

ul_text

illustrative_text