

THIS DRAWING IS UNPUBLISHED. RELEASED FOR PUBLICATION

© COPYRIGHT - BY TYCO ELECTRONICS CORPORATION. ALL RIGHTS RESERVED.

LOC	DIST	REVISIONS					
H	-	P	LTR	DESCRIPTION	DATE	DWN	APVD
			C	REVISED PER ECR-14-000978	22JAN2014	AB	OL
			D	REVISED PER ECR-14-008991	21JUL2014	PP	OL
			D1	REVISED PER ECR-14-012391	18AUG2014	FD	OL
			D2	REVISED PER ECR-18-007237	17MAY2018	SR	DD

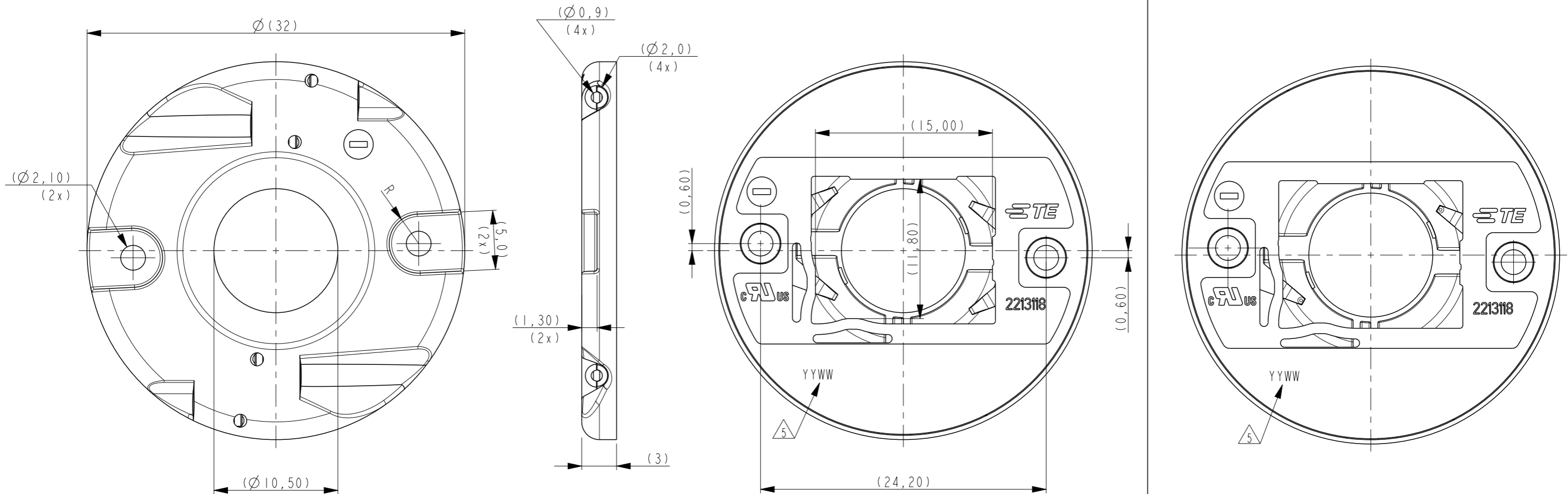
NOTES:

- MATERIALS:
 - BASE & COVER: PBT,
 - COLOR: NATURAL,
 - CONTACTS: COPPER ALLOY.
- FOR SOLID AND STRANDED WIRE AWG 22 - 20 USE.
- COMPLIES WITH DIRECTIVE 2002/95/EC (ROHS).
- SREWS TO BE USED: M2x6.

△ YEAR/WEEK CODING

P/N 2213118-1
2 PARALLEL CONTACT BEAM VERSION

P/N 2213118-2
SINGLE CONTACT BEAM VERSION



THIS DRAWING IS A CONTROLLED DOCUMENT.		DWN P. POORTER 19JUL2012	TE Connectivity NAME LUMAWISE LED HOLDER Z32 LOW PROFILE 1215				
DIMENSIONS: mm		CHK O. LEIJNSE 19JUL2012					
TOLERANCES UNLESS OTHERWISE SPECIFIED:		APVD O. LEIJNSE 19JUL2012					
0 PLC ±- 1 PLC ±- 2 PLC ±- 3 PLC ±- 4 PLC ±- ANGLES ±-		PRODUCT SPEC 108-133006					
MATERIAL -		FINISH -	APPLICATION SPEC 114-32045	SIZE A3	CAGE CODE 00779	DRAWING NO C-2213118	RESTRICTED TO -
Customer Drawing			WEIGHT -	SCALE 3:1	SHEET 1	OF 2	REV D2

THIS DRAWING IS UNPUBLISHED.

RELEASED FOR PUBLICATION

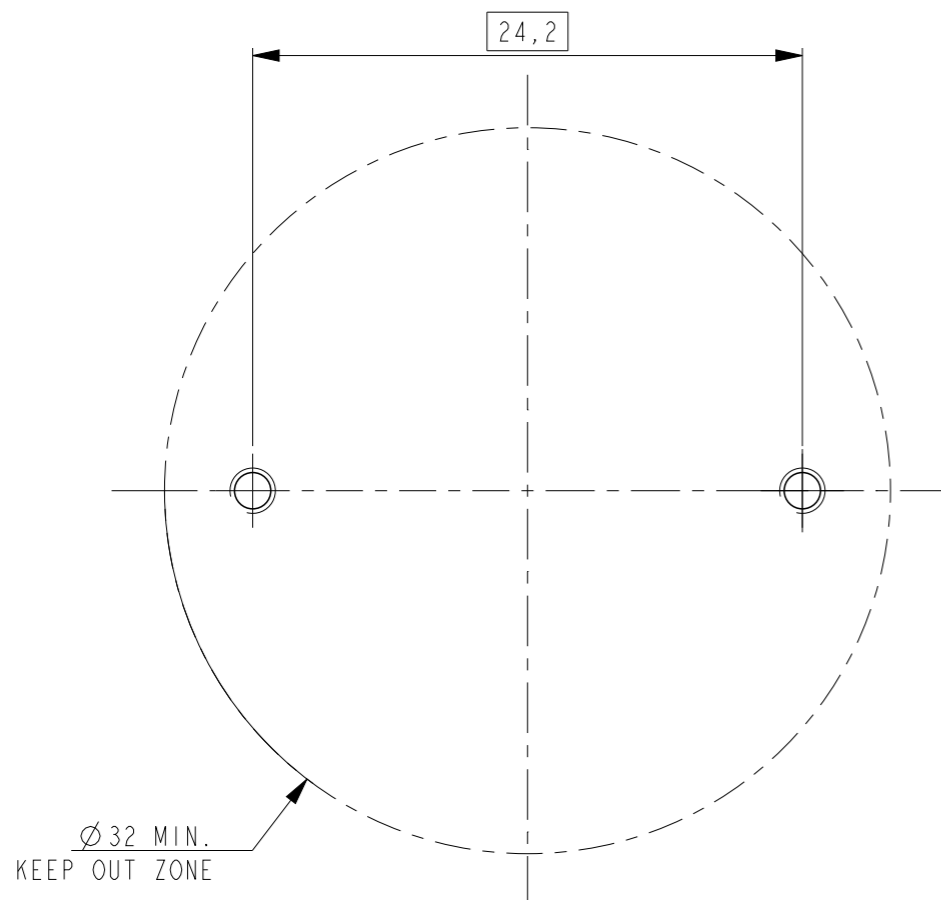
© COPYRIGHT - BY TYCO ELECTRONICS CORPORATION. ALL RIGHTS RESERVED.

LOC H DIST -

REVISIONS

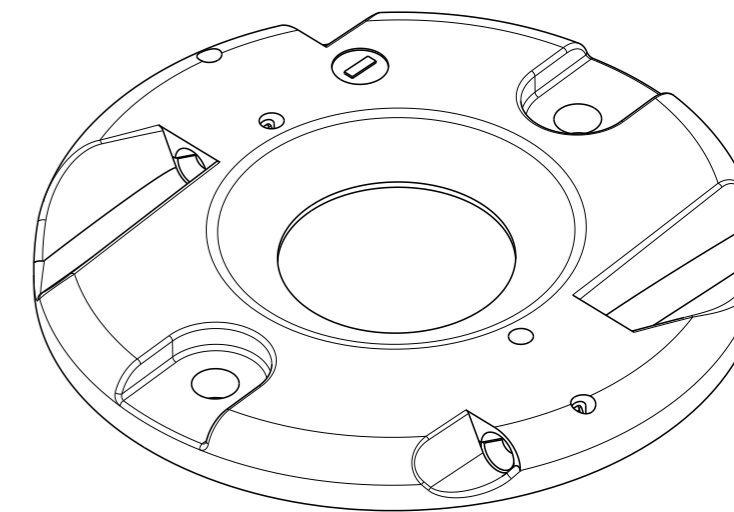
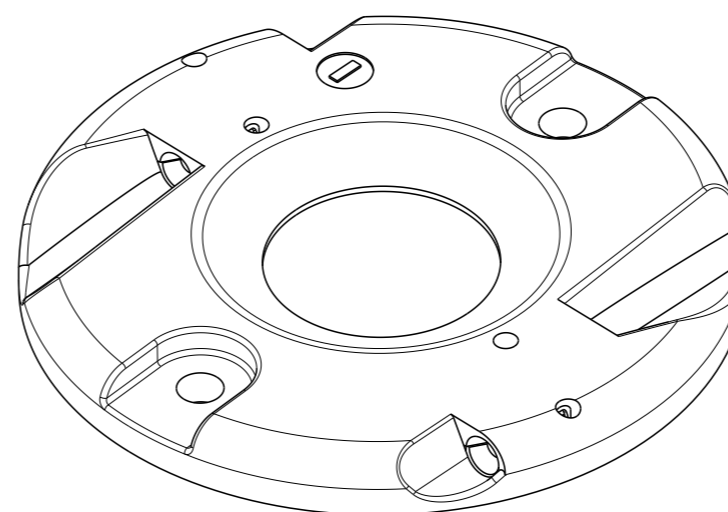
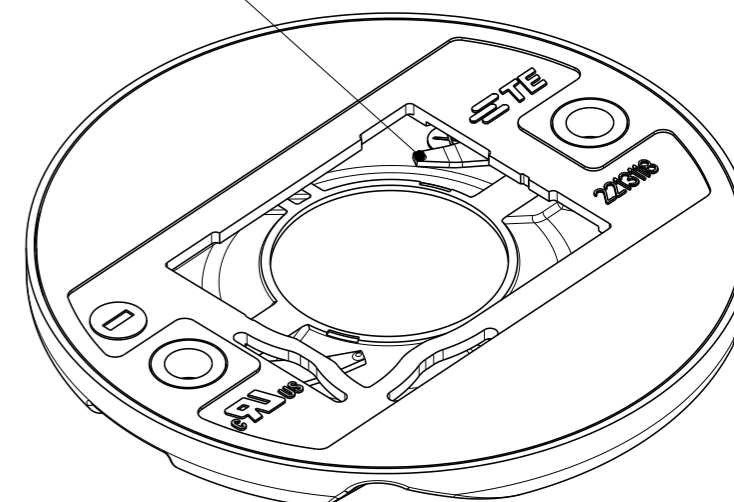
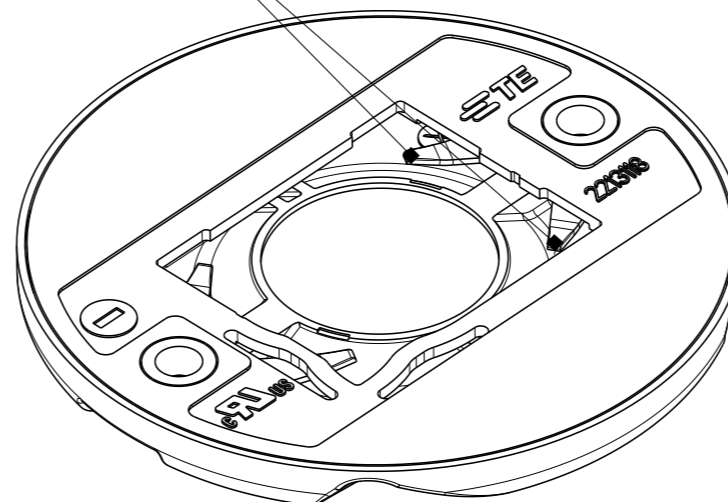
P	LTR	DESCRIPTION	DATE	DWN	APVD
	-	SEE SHEET 1	-	-	-

RECOMMENDED DRILLING HOLE PATTERN



P/N 2213118-1
2 paralel contacts

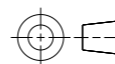
P/N 2213118-2
single contact



RELEASED LEDs		
NAME	TYPE	TE PART NUMBER
LUMILEDS	1215	2213118-2
SHARP	MINI ZENIGATA	2213118-1

THIS DRAWING IS A CONTROLLED DOCUMENT.

DIMENSIONS:
mm



TOLERANCES UNLESS OTHERWISE SPECIFIED:

0 PLC	±-
1 PLC	±-
2 PLC	±-
3 PLC	±-
4 PLC	±-
ANGLES	±-
FINISH	-

MATERIAL -

DWN P. POORTER 19JUL2012

CHK O. LEIJNSE 19JUL2012

APVD O. LEIJNSE 19JUL2012

PRODUCT SPEC 108-133006

APPLICATION SPEC 114-32045

WEIGHT -

Customer Drawing



NAME LUMAWISE LED HOLDER Z32
LOW PROFILE 1215

SIZE A3	CAGE CODE 00779	DRAWING NO C-2213118	RESTRICTED TO -
---------	-----------------	----------------------	-----------------

SCALE 3:1 SHEET 2 OF 2 REV D2