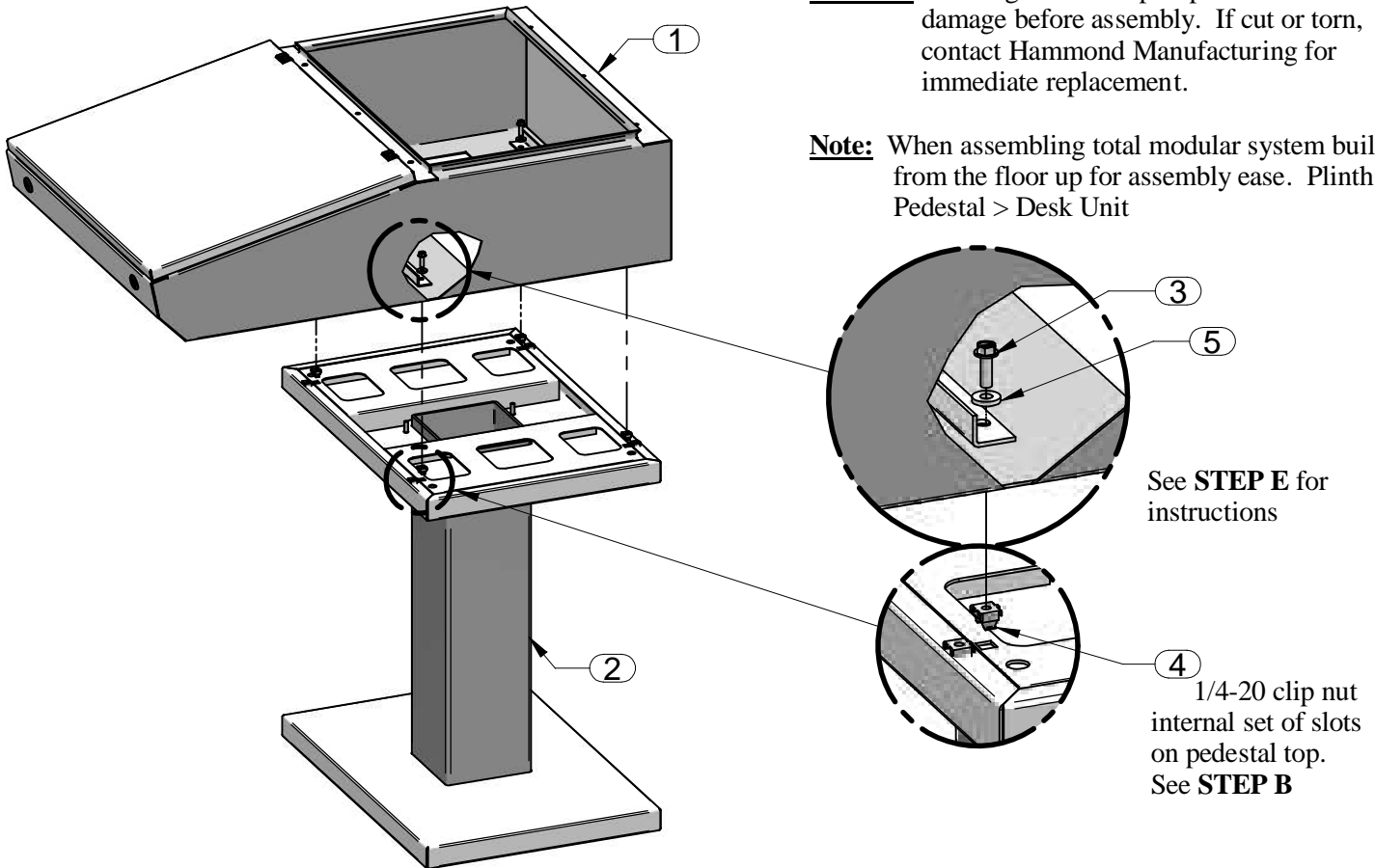


PRE - ASSEMBLY INSTRUCTIONS:

Caution: Check gasket on top of pedestal unit for damage before assembly. If cut or torn, contact Hammond Manufacturing for immediate replacement.

Note: When assembling total modular system build from the floor up for assembly ease. Plinth > Pedestal > Desk Unit



See **STEP E** for instructions

1/4-20 clip nut internal set of slots on pedestal top. See **STEP B**

ASSEMBLY INSTRUCTIONS:

- A) Open or remove doors for ease of assembly. This will allow for visual alignment of mating parts. Avoid handling or hitting gasket on objects.
- B) Before mounting desk (item 1) to pedestal (item 2) insert 1/4-20 clip nuts (item 4) into internal set of slots on top of pedestal see diagram above.
- C) Align desk (item 1) over top opening in pedestal (item 2). Side edges of desk and pedestal are to be flush.
- D) Front and rear slots in desk bottom are to be aligned with mounting slots on pedestal top.
- F) Once the desk is seated properly on the pedestal assemble using 1/4-20 x .75 hex head screws, 1/4" sealing washer, and 1/4-20 clip nuts (items 3, 4 & 5) provided. Torque screws and nuts to 115 in/lbs

PARTS LIST		
ITEM No.	DESCRIPTION	QTY
1	DESK UNIT	1
2	PEDESTAL	1
3	1/4-20 X 3/4 HEX CAP SCREW	4, 6 or 8
4	1/4-20 CLIP NUT	4, 6 or 8
5	1/4 SEALING WASHER	4, 6 or 8

	3/8, 7/16" Socket Wrench	3/8, 7/16" Open Wrench

