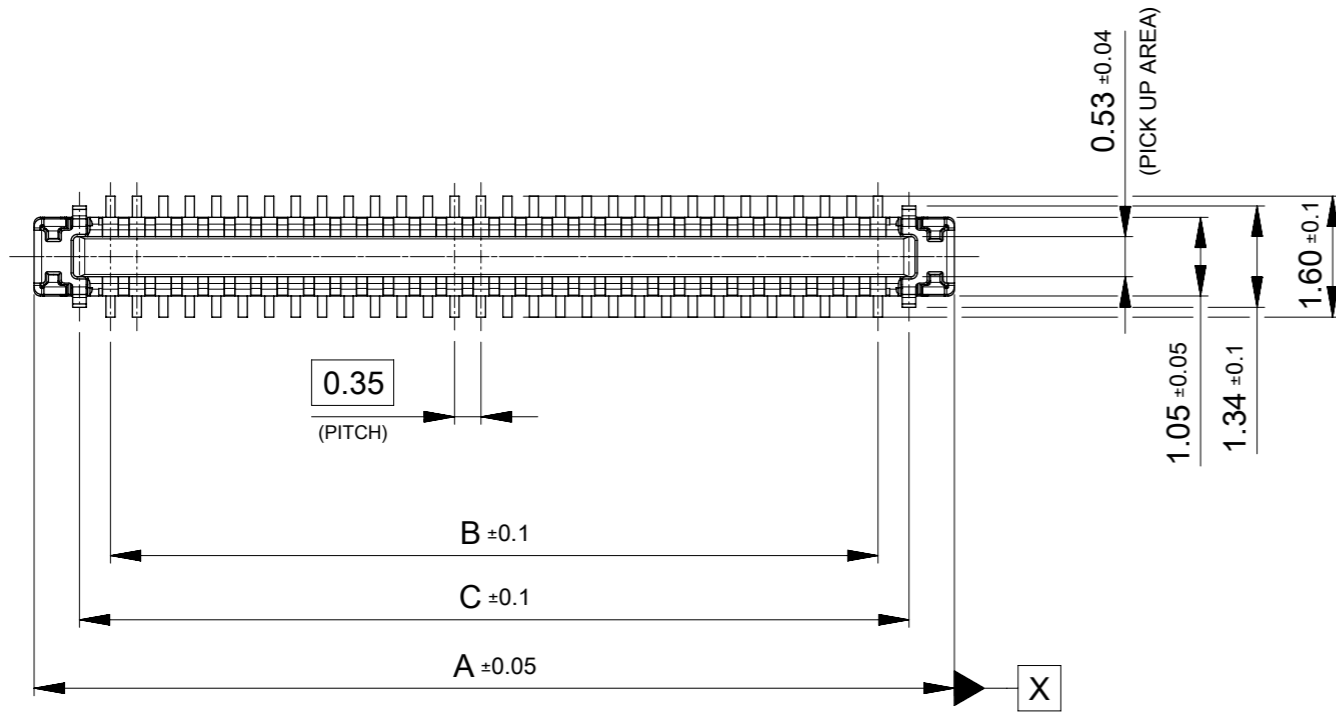
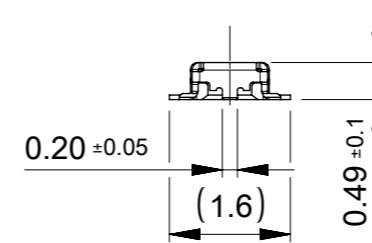
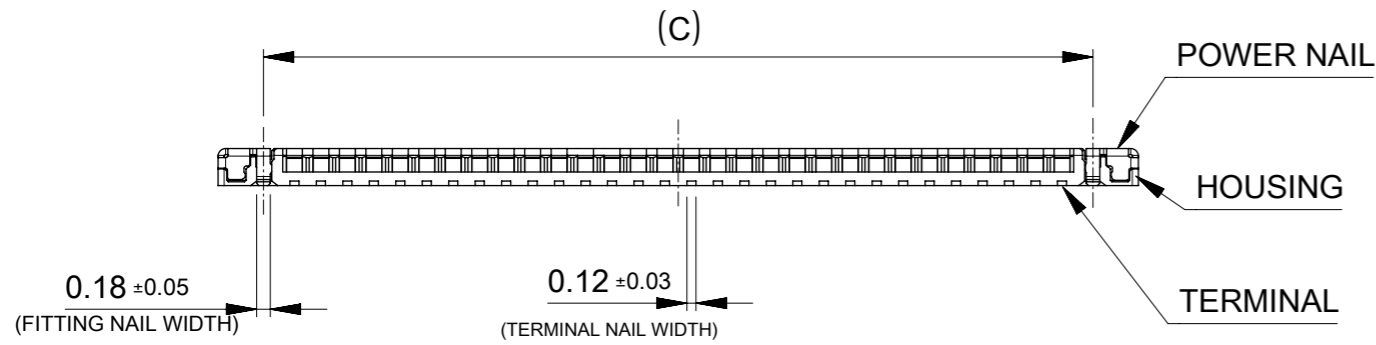


GENERAL DRAWING



NOTES

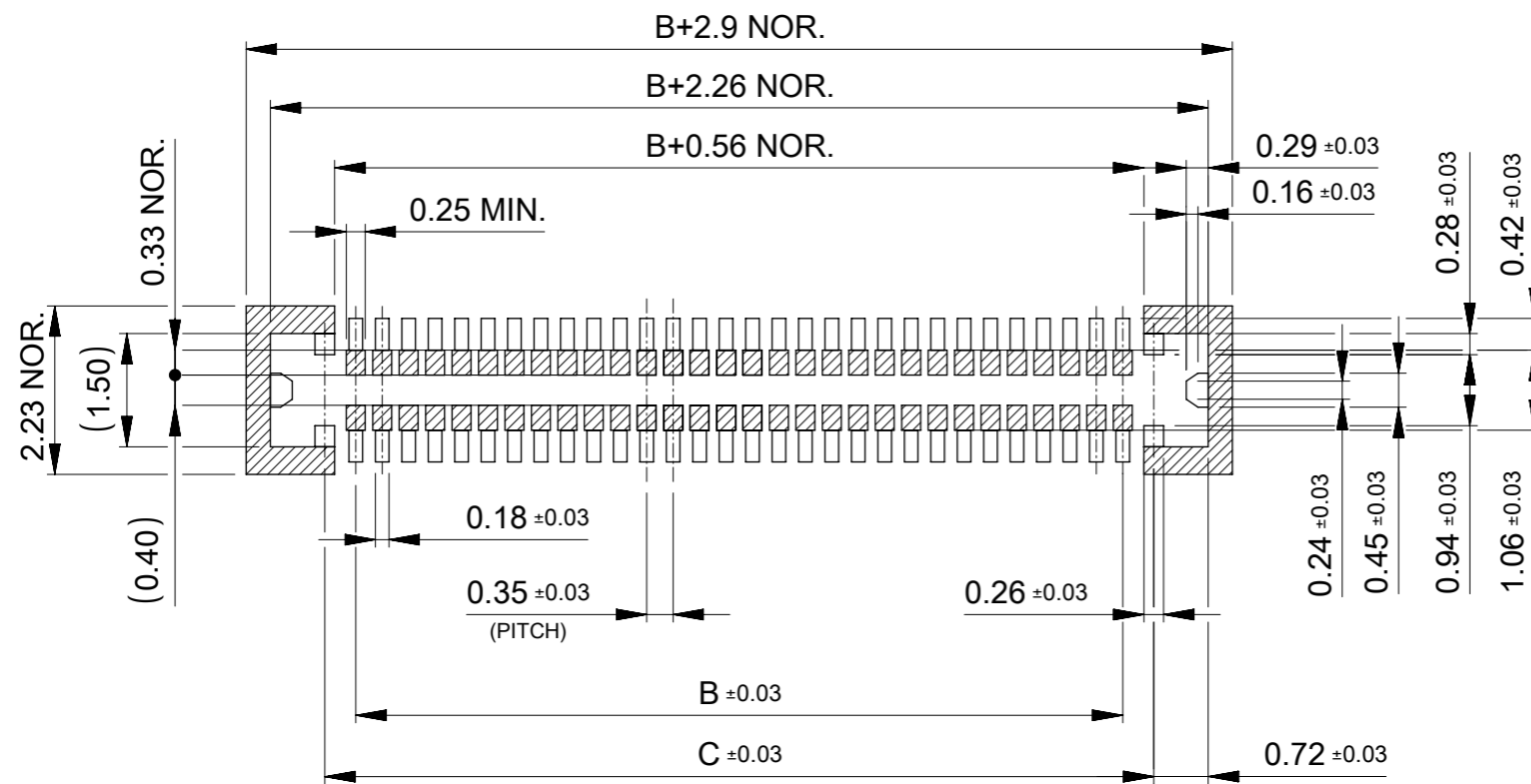
- MATERIAL**
HOUSING : LIQUID CRYSTAL POLIMER UL94V-0 (COLOR : BLACK)
TERMINAL : COPPER ALLOY
FITTING NAIL : COPPER ALLOY
- PLATING**
TERMINAL :
CONTACT AREA : GOLD PLATING(0.1µm MINIMUM)
SOLDER TAIL AREA : GOLD PLATING(0.05µm MINIMUM)
UNDER PLATING : NICKEL OVERALL(1.0µm MINIMUM)
* DIVIED INTO PARTS THE GOLD PLATING OF THE CONTACT AND THE TAIL PART BY THE NICKEL PLATING.
FITTING NAIL :
CONTACT AREA :GOLD PLATING(0.1µm MINIMUM)
SOLDER TAIL AREA : GOLD PLATING(0.05µm MINIMUM)
UNDER PLATING : NICKEL OVERALL(1.0µm MINIMUM)
* DIVIED INTO PARTS THE GOLD PLATING OF THE CONTACT AND THE TAIL PART BY THE NICKEL PLATING.
- MATE WITH : 216700******
- COPLANARITY : SHALL BE 0.08MAX. ON BOTH OF TERMINAL AND NAIL. AND 0.1 MAXIMUM AFTER REFLOW**
- PROHIBITED AREA OF PATTERN WIRING AND SOLDER. (FOR EACH AREA, THE WIRING THAT TOUCHES ON THE SOLDER CAN BE ATTACHED, THEN COVERED WITH A FILM TO KEEP SOLDER OUT)**



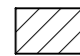
10.97	10.15	12.17	2167010609	---	O	60
9.92	9.10	11.12	2167010549	O	---	54
9.22	8.40	10.42	2167010509	O	---	50
7.47	6.65	8.67	2167010409	O	---	40
5.72	4.90	6.92	2167010309	---	O	30
4.67	3.85	5.87	2167010249	---	O	24
3.97	3.15	5.17	2167010209	O	---	20
2.22	1.40	3.42	2167010109	---	O	10
C	B	A	EMBOSSSED TAPE PACKAGE	HIGH VOL. TOOL	LOW VOL. TOOL	Ckts
ORDER No.			SAMPLE PREPARATION			
			O : TOOLED □ : WORK PROCESS --- : TOOLING TO BE CONFIRMED			

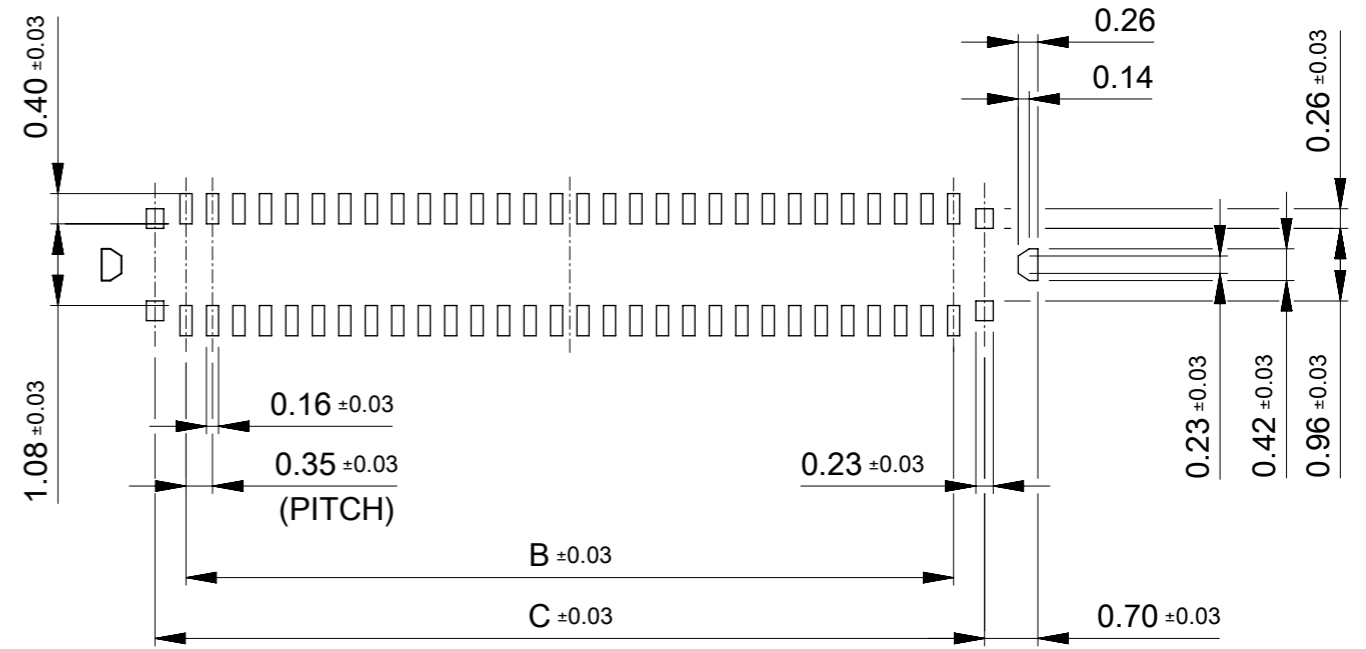
CONNECTOR SERIES No. : 2167010***

FUNCTIONAL SYMBOLS	THIS DRAWING CONTAINS INFORMATION THAT IS PROPRIETARY TO MOLEX ELECTRONIC TECHNOLOGIES, LLC AND SHOULD NOT BE USED WITHOUT WRITTEN PERMISSION		CURRENT REV DESC:		molex		
	mm	10:1					
DIVISIONAL SYMBOLS	GENERAL TOLERANCES (UNLESS SPECIFIED)		EC NO: 746141		0.35 BB CONN H=0.6 ACB6 PLUS PLUG ASSY		
	ANGULAR TOL ± 1.0°		DRWN: DWLEE02 2023/04/14				
4 PLACES ± 0.05		CHK'D: JHCHANG 2023/04/14		PRODUCT CUSTOMER DRAWING			
3 PLACES ± 0.05		APPR: JBJIN 2023/04/17		DOCUMENT NUMBER			
2 PLACES ± 0.05		INITIAL REVISION:		2167010000-SD			
1 PLACE ± 0.1		DRWN: JHCHANG 2023/04/13		DOC TYPE DOC PART REVISION			
0 PLACES ± 0.2		APPR: JBJIN 2023/04/17		PSD 001 A			
DRAFT WHERE APPLICABLE MUST REMAIN WITHIN DIMENSIONS		THIRD ANGLE PROJECTION	DRAWING	SERIES	MATERIAL NUMBER	CUSTOMER	SHEET NUMBER
			A3-SIZE	216701	SEE CHART	GENERAL	1 OF 2



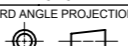
RECOMMENDED P.C.BOARD PATTERN LAYOUT
(FOR REFERENCE)

 SOLDER PROHIBITED AREA.
WHEN WIREING IS LOCATED,
THE WIRING MUST BE MASKED BY COVER LAY OR RESIST FILM.

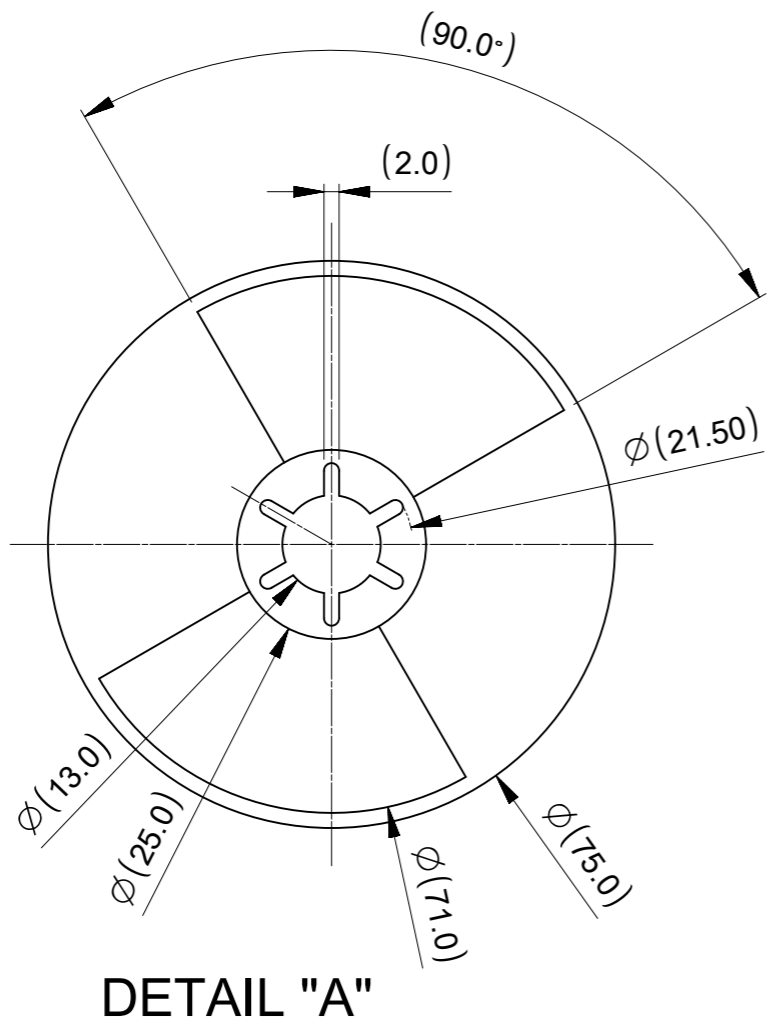
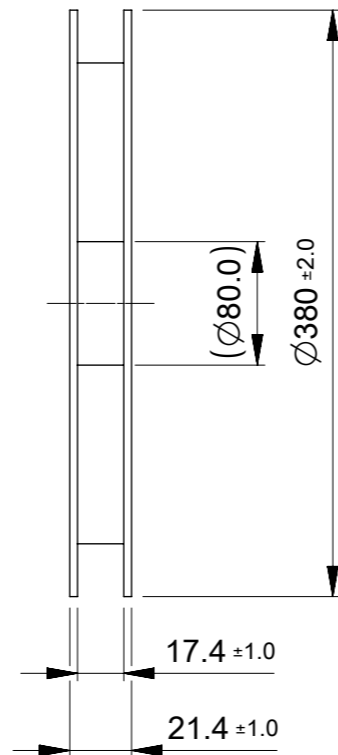
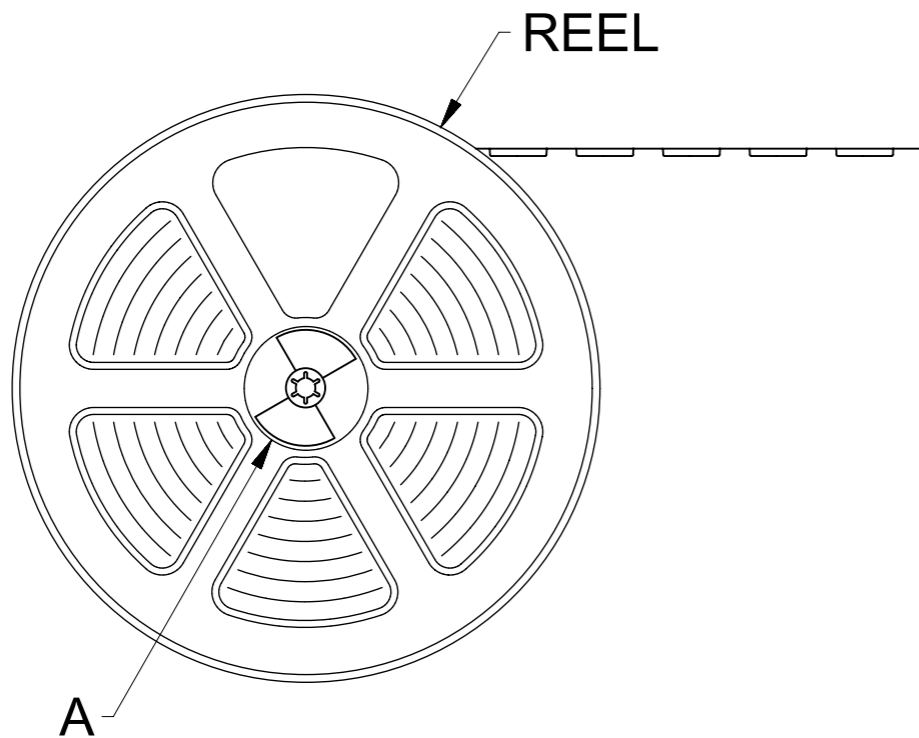


RECOMMENDED METAL MASK LAYOUT
(FOR REFERENCE)

RECOMMENDED THICKNESS : 0.08mm
RECOMMENDED APERTURE DIMENSION IS JUST SAME AS SHOWN FIGURE ABOVE.
FOR THIS DIMENSION, APERTURE RATIO ARE SIGNAL TERMINAL AND
FITTING NAIL ALL 80%.

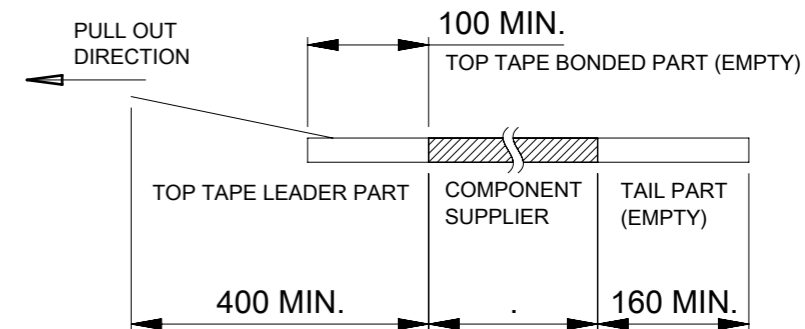
FUNCTIONAL SYMBOLS	THIS DRAWING CONTAINS INFORMATION THAT IS PROPRIETARY TO MOLEX ELECTRONIC TECHNOLOGIES, LLC AND SHOULD NOT BE USED WITHOUT WRITTEN PERMISSION		<div style="text-align: center;">molex</div> <p>0.35 BB CONN H=0.6 ACB6 PLUS PLUG ASSY</p>		
	$\nabla_A = 0$ $\nabla_E = 0$ $\nabla_V = 0$	DIMENSION UNITS: mm SCALE: 10:1			
DIVISIONAL SYMBOLS	GENERAL TOLERANCES (UNLESS SPECIFIED)		PRODUCT CUSTOMER DRAWING		
	ANGULAR TOL ± 1.0°		DOCUMENT NUMBER: 2167010000-SD DOC TYPE: PSD DOC PART: 001 REVISION: A		
	4 PLACES ± 0.05		INITIAL REVISION: DRWN: JHCHANG 2023/04/13 APPR: JBJIN 2023/04/17		
	3 PLACES ± 0.05		MATERIAL NUMBER: SEE CHART CUSTOMER: GENERAL SHEET NUMBER: 2 OF 2		
2 PLACES ± 0.05		DRAFT WHERE APPLICABLE MUST REMAIN WITHIN DIMENSIONS		THIRD ANGLE PROJECTION: 	DRAWING: A3-SIZE SERIES: 216701
1 PLACE ± 0.1					
0 PLACES ± 0.2					

⇒ PULL OUT DIRECTION



NOTES

1. RE DETAILED DIMENSION, SEE PRODUCT DRAWING.
2. NUMBER OF CONNECTORS : 20,000PCS/REEL
3. LEAD TAPE LENGTH :



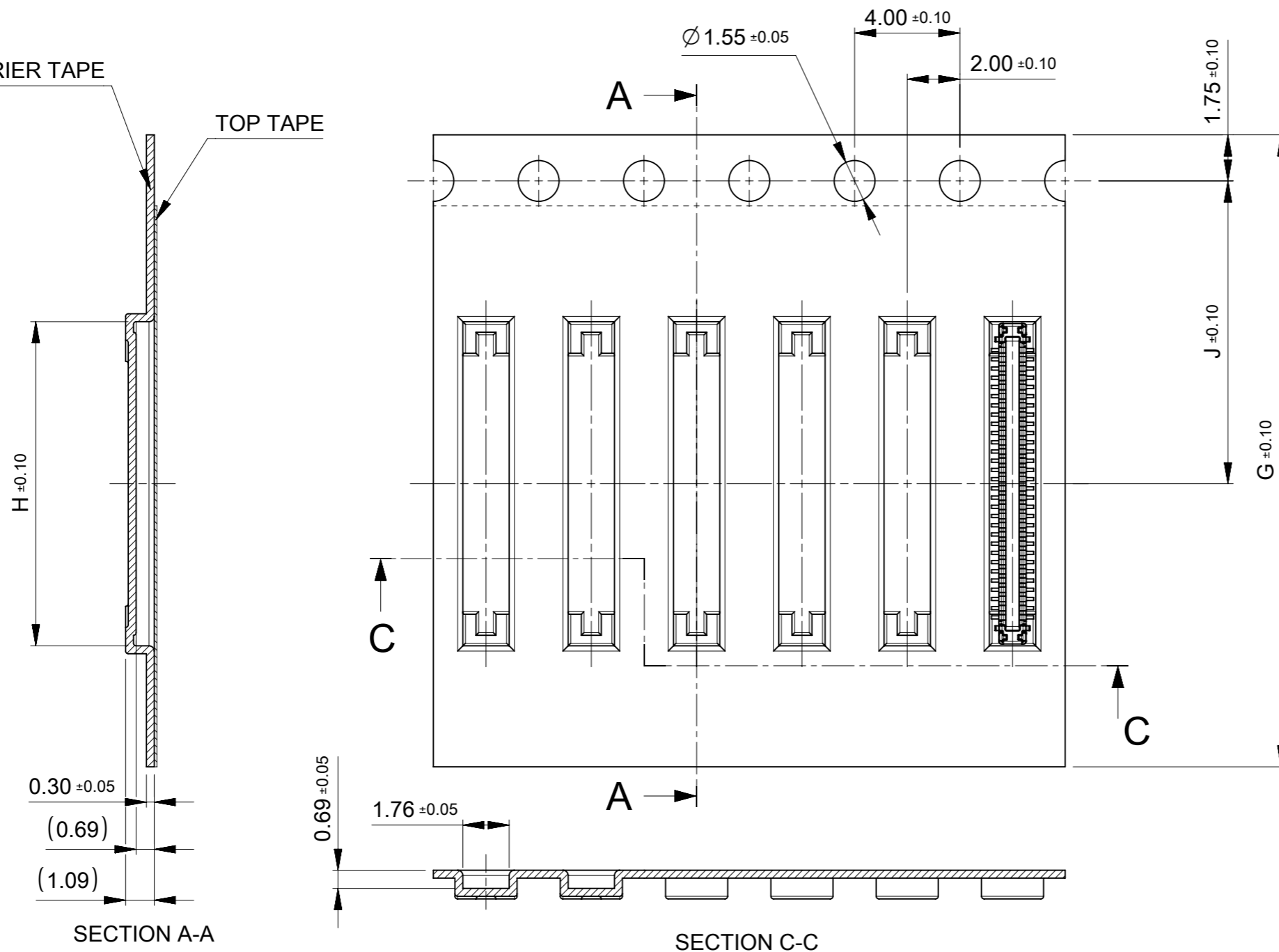
4. PEEL OFF FORCE OF THE TOP TAPE IS DEFINED BY IEC 60286-3.
5. MATERIAL
 - CARRIER TAPE : POLYSTYRENE OR PET
 - TOP TAPE : PET, OTHER
 - REEL : POLYSTYRENE(PS) [RECYCLE MATERIAL CONTAINED]

FUNCTIONAL SYMBOLS	THIS DRAWING CONTAINS INFORMATION THAT IS PROPRIETARY TO MOLEX ELECTRONIC TECHNOLOGIES, LLC AND SHOULD NOT BE USED WITHOUT WRITTEN PERMISSION		CURRENT REV DESC:		molex
	DRWN: DWLEE02	2023/04/14	0.35 BB CONN H=0.6 ACB6 PLUS PLUG PKG		
GENERAL TOLERANCES (UNLESS SPECIFIED)	EC NO: 746141		INITIAL REVISION:		PRODUCT CUSTOMER DRAWING
ANGULAR TOL ± 1.0°	CHK'D: JHCHANG		DRWN: JHCHANG		
4 PLACES ± 0.05	APPR: JBJIN		2023/04/17		DOCUMENT NUMBER
3 PLACES ± 0.05	INITIAL REVISION:		2023/04/13		2167010001-SD
2 PLACES ± 0.05	DRWN: JHCHANG		2023/04/17		DOC TYPE
1 PLACE ± 0.1	APPR: JBJIN		2023/04/17		DOC PART
0 PLACES ± 0.2	THIRD ANGLE PROJECTION		DRAWING		REVISION
DRAFT WHERE APPLICABLE MUST REMAIN WITHIN DIMENSIONS	A3-SIZE		SERIES		1 A
	MATERIAL NUMBER		CUSTOMER		SHEET NUMBER
	SEE SHEET2		GENERAL		1 OF 2

PULL OUT DIRECTION →

EMBOSS CARRIER TAPE

TOP TAPE



SECTION A-A

SECTION C-C

12.31	11.50	24.00	2167010609	---	O	60
11.26			2167010549	O	---	54
10.56			2167010509	O	---	50
8.81	9.25	16.00	2167010409	O	---	40
7.06			2167010309	---	O	30
6.01			2167010249	---	O	24
5.34			2167010209	O	---	20
3.56			2167010109	---	O	10
H	J	G	EMBOSSED TAPE PACKAGE	HIGH VOL. TOOL	LOW VOL. TOOL	Ckts
ORDER No.			SAMPLE PREPARATION			
			O : TOOLED □ : WORK PROCESS --- : TOOLING TO BE CONFIRMED			
CONNECTOR SERIES No. : 216701****						

FUNCTIONAL SYMBOLS	THIS DRAWING CONTAINS INFORMATION THAT IS PROPRIETARY TO MOLEX ELECTRONIC TECHNOLOGIES, LLC AND SHOULD NOT BE USED WITHOUT WRITTEN PERMISSION	
▽ _A = 0	DIMENSION UNITS: mm	SCALE: 5:1
▽ _E = 0	CURRENT REV DESC:	
▽ _F = 0	GENERAL TOLERANCES (UNLESS SPECIFIED)	
	ANGULAR TOL ± 1.0°	
DIVISIONAL SYMBOLS	4 PLACES ± 0.05	EC NO: 746141
	3 PLACES ± 0.05	DRWN: DWLEE02
	2 PLACES ± 0.05	CHK'D: JHCHANG
	1 PLACE ± 0.1	APPR: JBJIN
	0 PLACES ± 0.2	INITIAL REVISION:
	DRAFT WHERE APPLICABLE MUST REMAIN WITHIN DIMENSIONS	DRWN: JHCHANG
	THIRD ANGLE PROJECTION	APPR: JBJIN
	DRAWING: A3-SIZE	SERIES: 216701
	MATERIAL NUMBER: SEE SHEET2	CUSTOMER: GENERAL
	DOCUMENT NUMBER: 2167010001-SD	DOC TYPE: PSD
	DOC PART: 001	REVISION: A
	SHEET NUMBER: 2 OF 2	