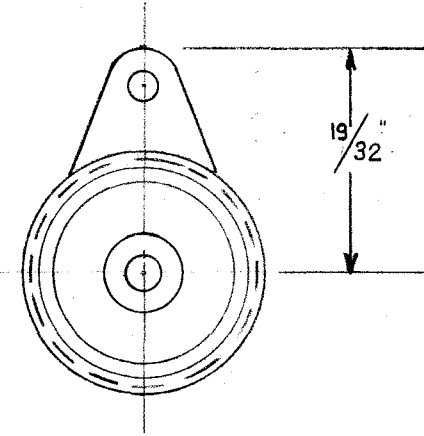
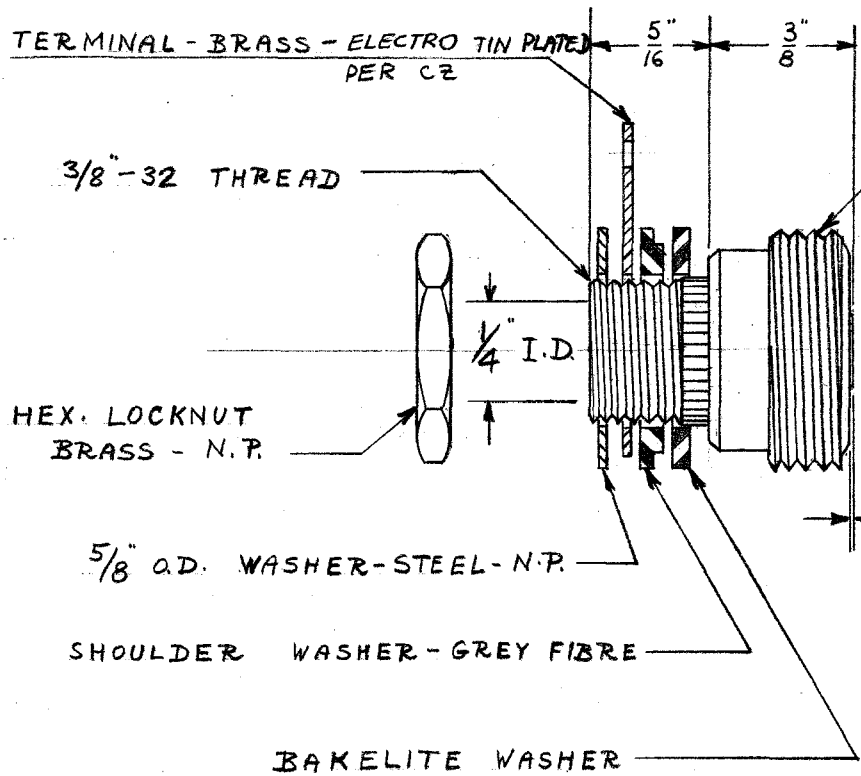


MAX. PLATING .0003"

2501 MP

PART NO.



MATERIALS:

1. BODY - BRASS - NICKEL PLATE
2. INSULATOR - PAPER BASE PHENOLIC
3. EYELET - BRASS - TIN PLATED

REVISIONS

2	(A) DIM. ADDED	12-18-53
A	ELECTRO TIN PLATED PER C2 WAS NOT TINNED	E.B. 11-9-88 ECO 14667

SIZE

WIDTH

MULT.

LBS. PER M

USED ON	REQ.	NAME	DRAWN BY	DATE
		SINGLE CONTACT PANEL CONNECTOR MALE TYPE	L.D.	8-11-52
FINISH	MATERIAL		CHECKED	APPROVED
			<i>[Signature]</i>	
DECIMAL DIMENSIONS ± .005"		REMOVE ALL BURRS	SOURCE	SCALE
FRACTIONAL DIMENSIONS ± 1/64"		DO NOT SCALE DRAWING		2:1
			ISSUE	DATE
			A	12-18-53
SWITCHCRAFT, INC. 1328 N. HALSTED ST. CHICAGO 22, ILLINOIS			PART NO.	
			2501 MP	