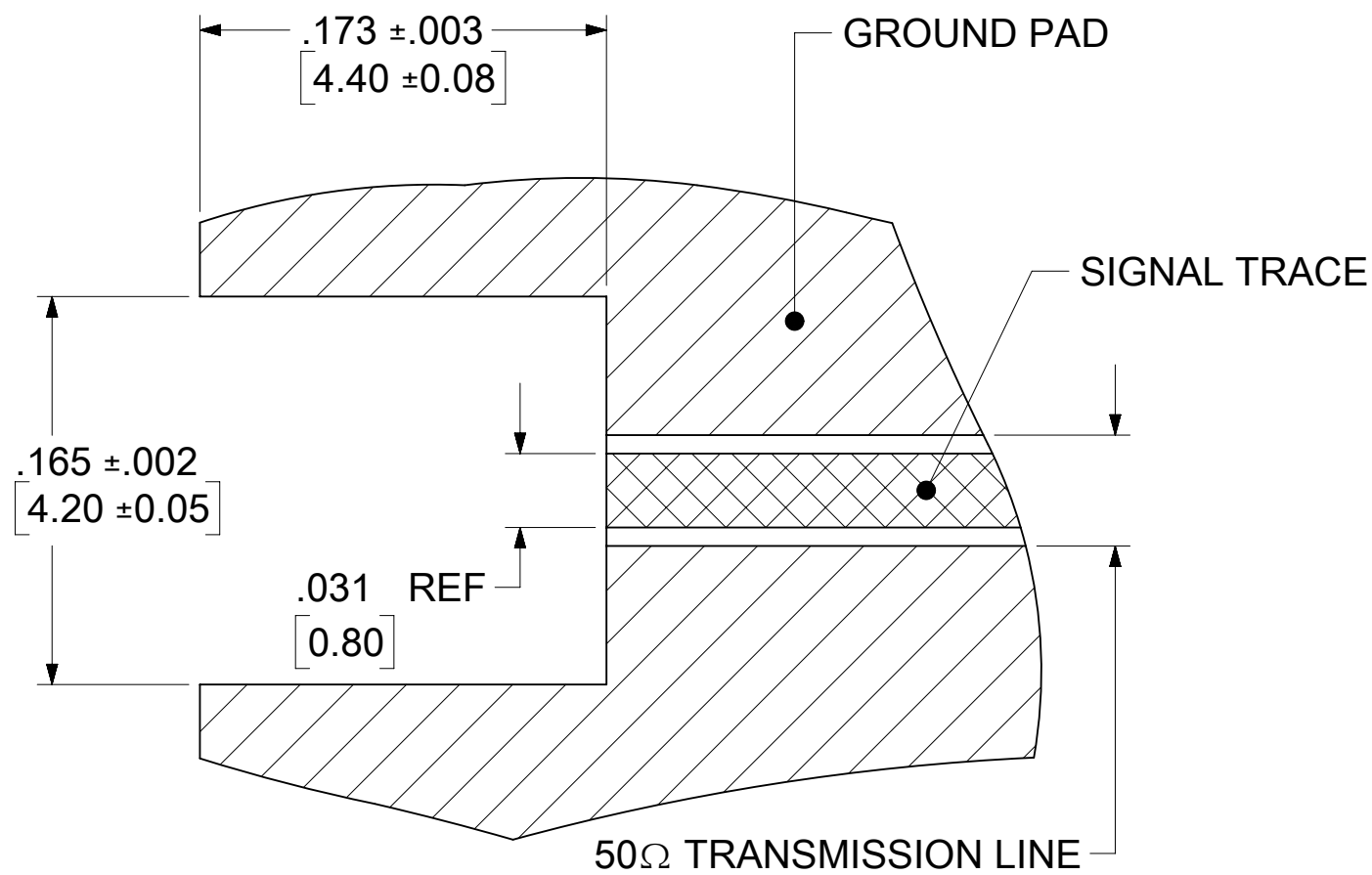
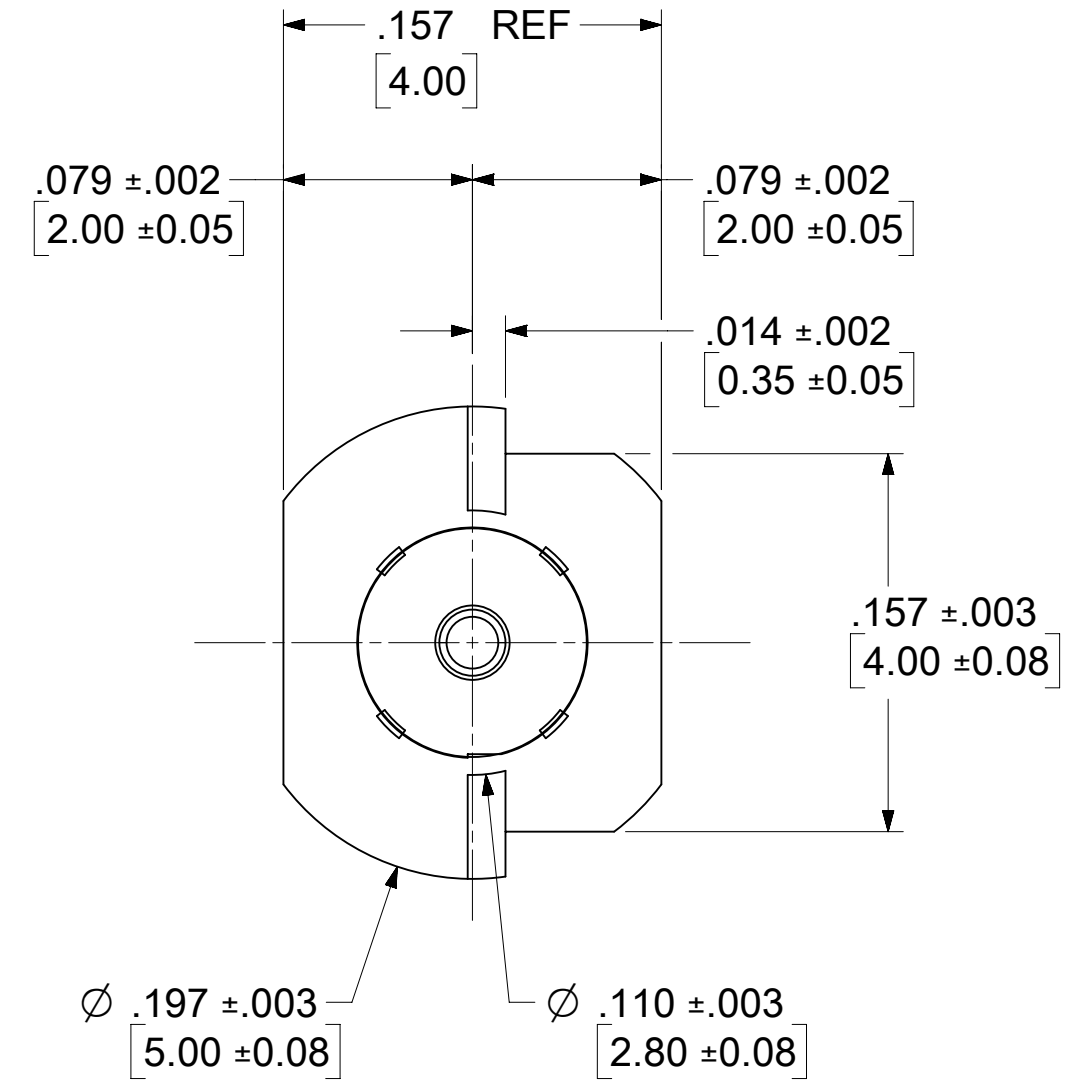
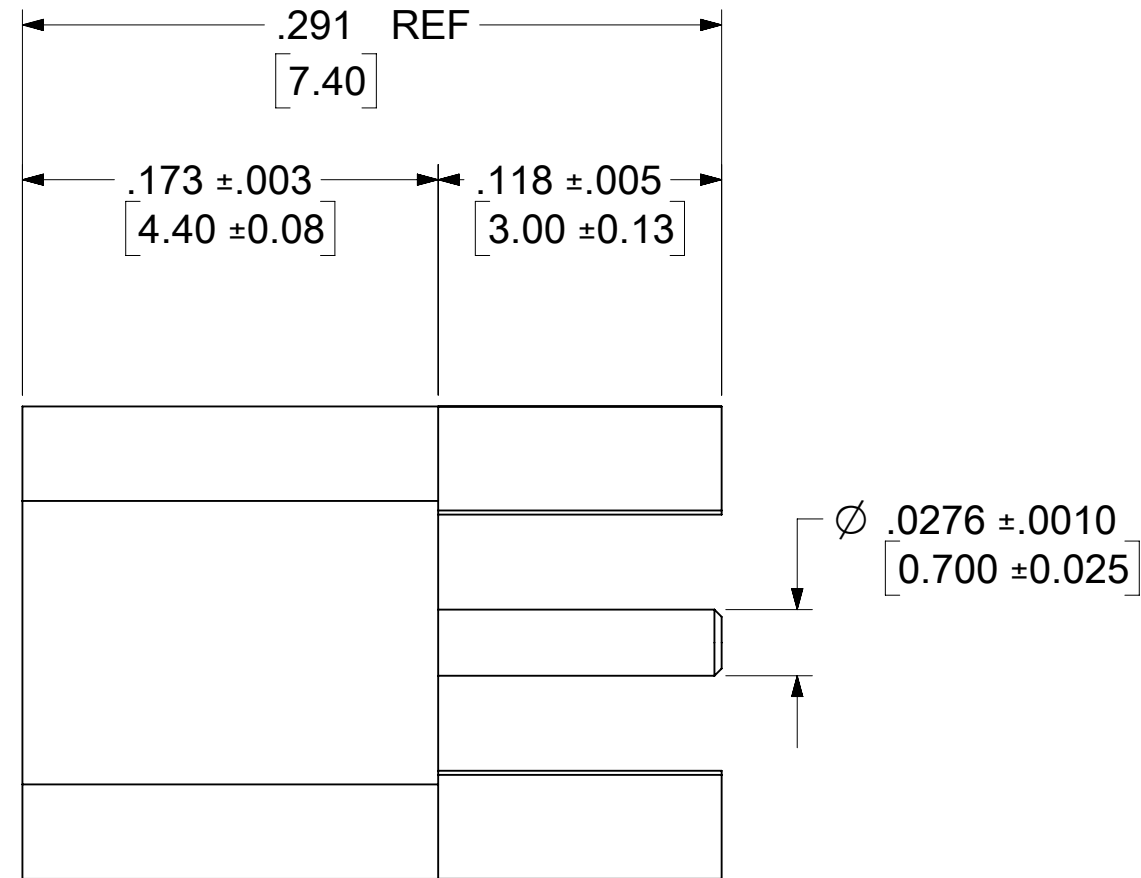
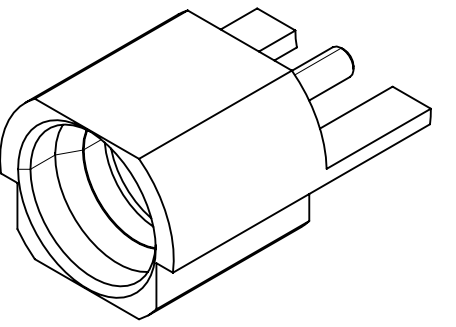


MATERIALS AND FINISHES:

BODY, CENTER CONTACT: BRASS  
PLATED GOLD (30μ-in MIN)

INSULATOR: PTFE



RECOMMENDED PCB LAYOUT  
NOTE: ADJUST .031 [0.80] AS NEEDED  
TO MAINTAIN 50Ω LINE

LABEL FORMAT FOR  
73406-6182

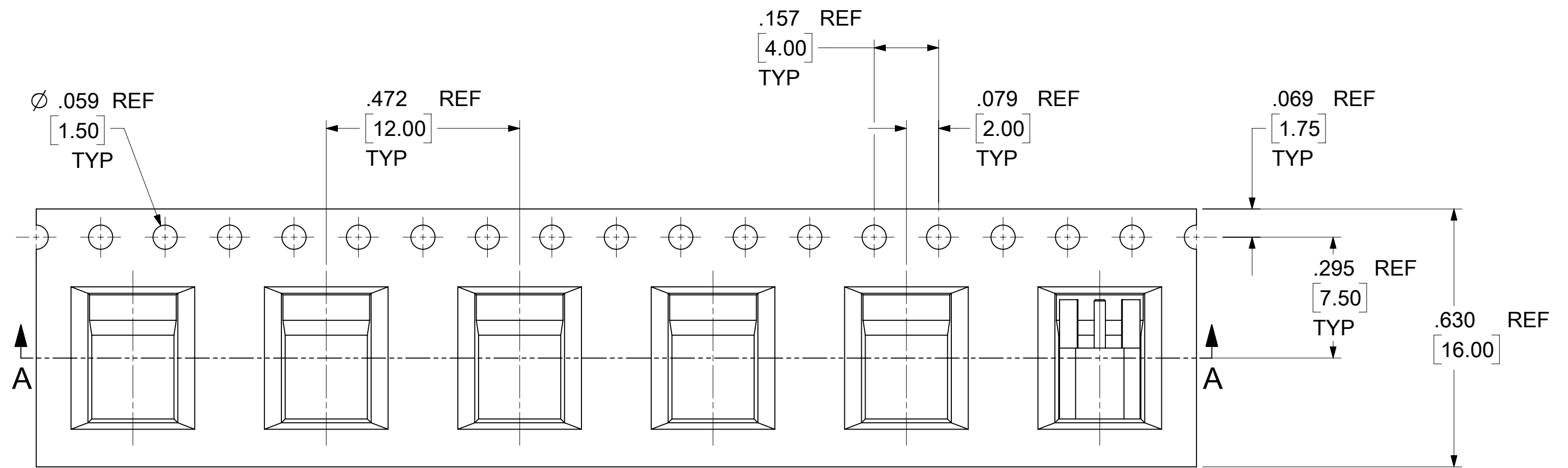
PART NUMBER: 73406-6180  
ORDER NUMBER: 73406-6182  
MOLEX  
DATE: YYWW

73406-6182	73406-6180 ONE PER BAG	895420470
73406-6181	73406-6180 TAPE AND REEL	SHEET 2 & 3
73406-6180	73406-6180 TRAY	895420040
PART NO.	DESCRIPTION	PACKING SPEC

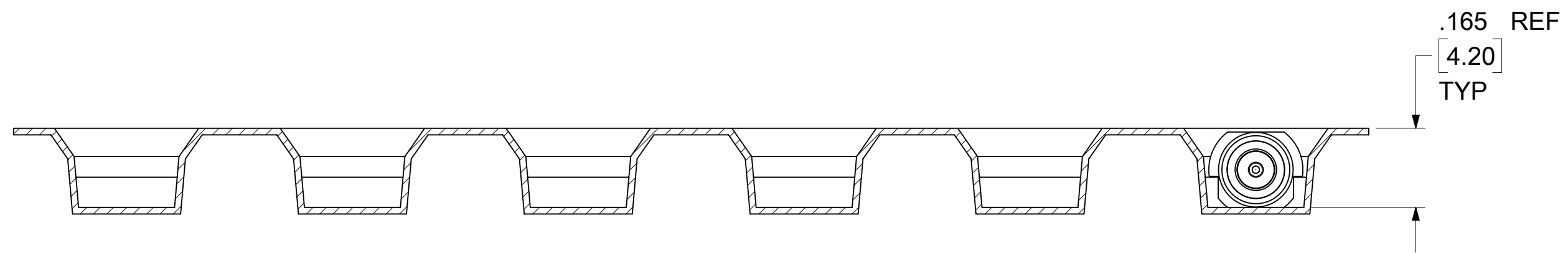
PS-89675-3320	PRODUCT SPECIFICATION
MIL-STD-348A, FIG. 326-3	INTERFACE
SPECIFICATION	DESCRIPTION

DOCUMENT STATUS	P1	RELEASE DATE	2022/08/26 09:18:47
-----------------	----	--------------	---------------------

THIS DRAWING CONTAINS INFORMATION THAT IS PROPRIETARY TO MOLEX ELECTRONIC TECHNOLOGIES, LLC AND SHOULD NOT BE USED WITHOUT WRITTEN PERMISSION									
DIMENSION UNITS: INCH/MM		SCALE: NTS		CURRENT REV DESC: ADD 73406-6182 PER EWR #15321-B				<b>molex</b>	
GENERAL TOLERANCES (UNLESS SPECIFIED)		ANGULAR TOL ± 2.0°		EC NO: 719042					
4 PLACES ±		3 PLACES ±		DRWN: RYEH		2022/08/09		SMP PLUG, PCB EDGEMOUNT 50 OHMS LIMITED DETENT SMP-P/PCB	
2 PLACES ±		1 PLACE ±		CHK'D: YCHENG		2022/08/26			
0 PLACES ±		DRAFT WHERE APPLICABLE MUST REMAIN WITHIN DIMENSIONS		THIRD ANGLE PROJECTION		DRAWING: C-SIZE		SERIES: 73406	
DOCUMENT NUMBER: SD-73406-618		DOC TYPE: PSD		DOC PART: 001		REVISION: A2		SHEET NUMBER: 1 OF 3	
MATERIAL NUMBER: SEE TABLE		CUSTOMER: GENERAL MARKET		SERIES: 73406		DRAWING: C-SIZE		SHEET NUMBER: 1 OF 3	

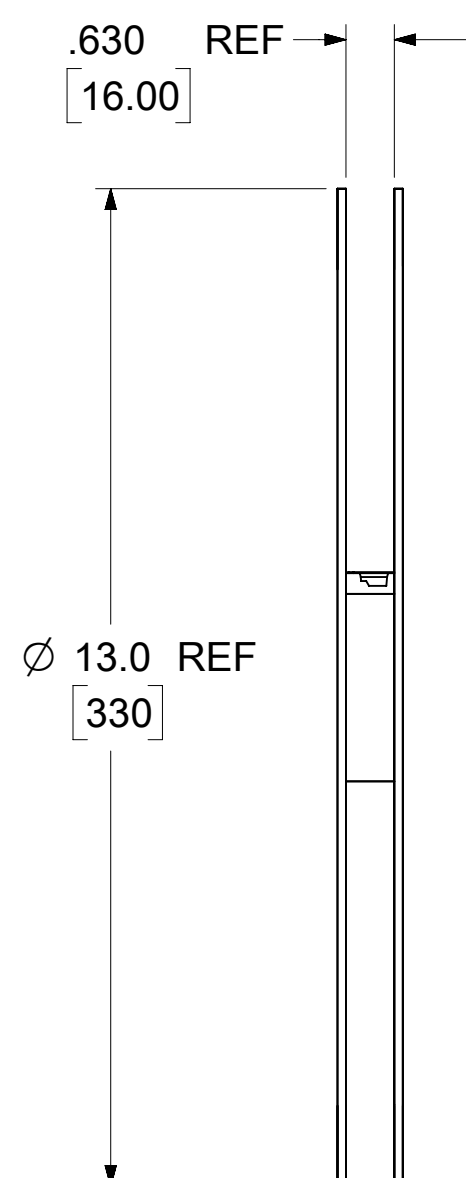


VIEWS FOR 73406-6181

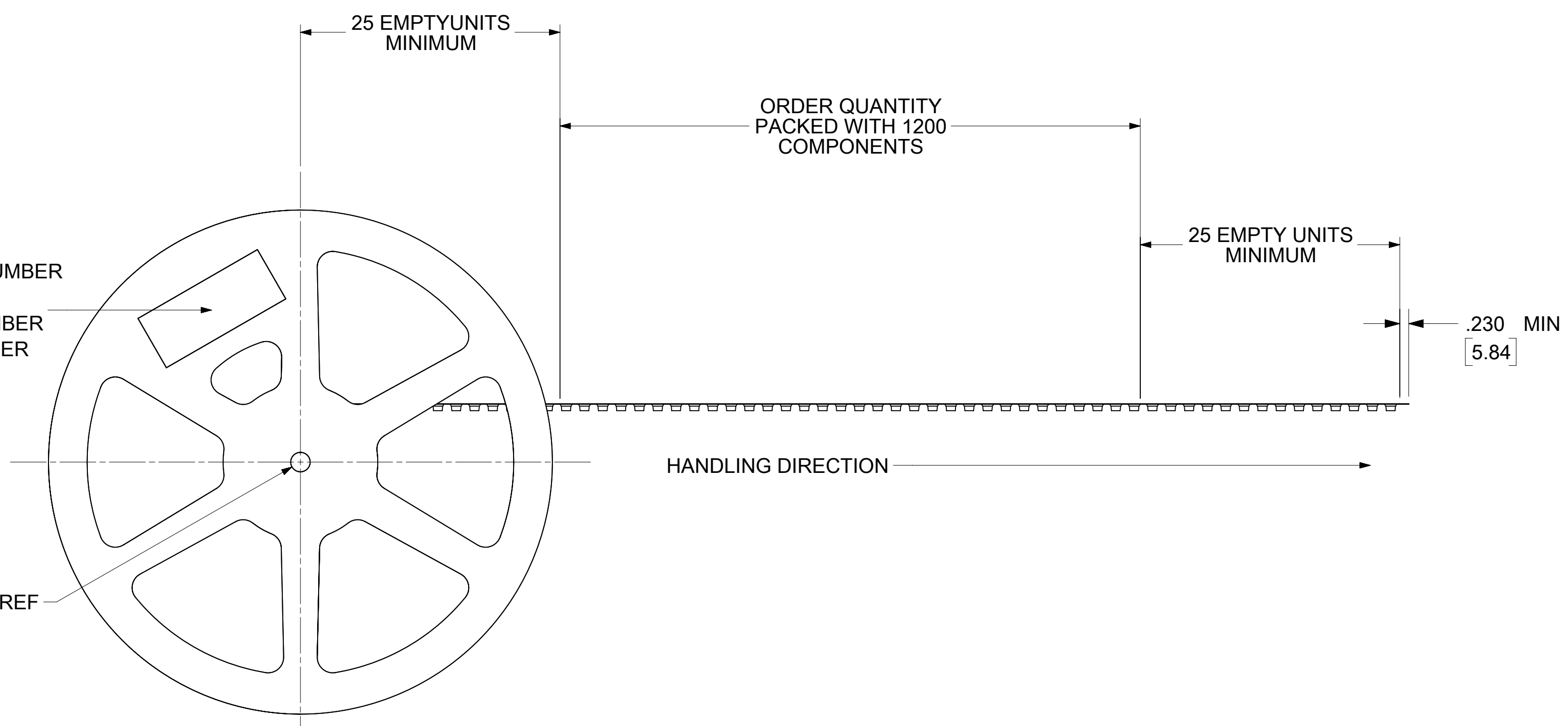


SECTION A-A

THIS DRAWING CONTAINS INFORMATION THAT IS PROPRIETARY TO MOLEX ELECTRONIC TECHNOLOGIES, LLC AND SHOULD NOT BE USED WITHOUT WRITTEN PERMISSION									
DIMENSION UNITS <b>INCH/MM</b>		SCALE <b>NTS</b>		CURRENT REV DESC: ADD 73406-6182 PER EWR #15321-B				<b>molex</b>	
GENERAL TOLERANCES (UNLESS SPECIFIED)				EC NO: 719042					
ANGULAR TOL ± 2.0°				DRWN: RYEH		2022/08/09		SMP PLUG, PCB EDGEMOUNT 50 OHMS LIMITED DETENT SMP-P/PCB	
4 PLACES ±				CHK'D: YCHENG		2022/08/26		PRODUCT CUSTOMER DRAWING	
3 PLACES ±				APPR: YCHENG		2022/08/26		DOCUMENT NUMBER	
2 PLACES ±				INITIAL REVISION:				DOC TYPE   DOC PART   REVISION	
1 PLACE ±				DRWN: JLEE02		2009/01/23		SD-73406-618	
0 PLACES ±				APPR: JWIENER		2009/01/23		PSD 001 A2	
DRAFT WHERE APPLICABLE MUST REMAIN WITHIN DIMENSIONS		THIRD ANGLE PROJECTION		DRAWING		SERIES		MATERIAL NUMBER	
				C-SIZE		73406		SEE TABLE	
				CUSTOMER		GENERAL MARKET		SHEET NUMBER	
								2 OF 3	

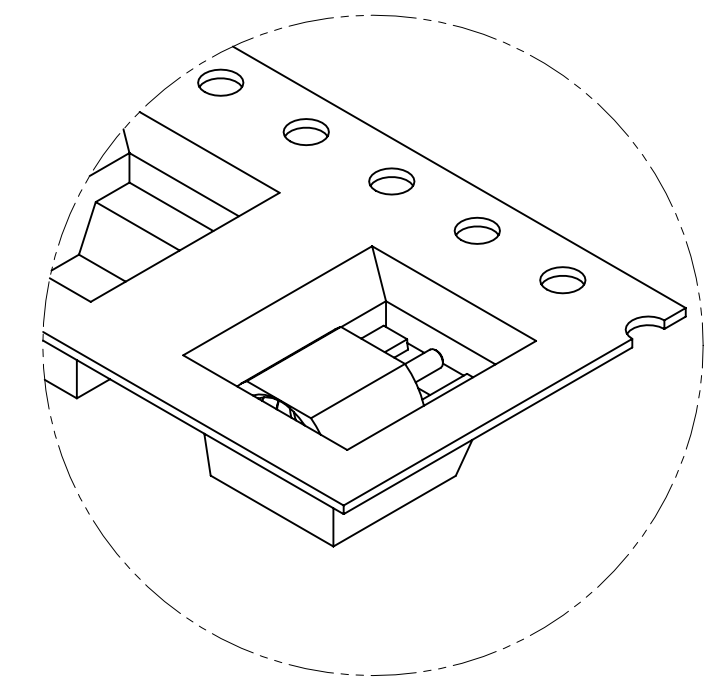
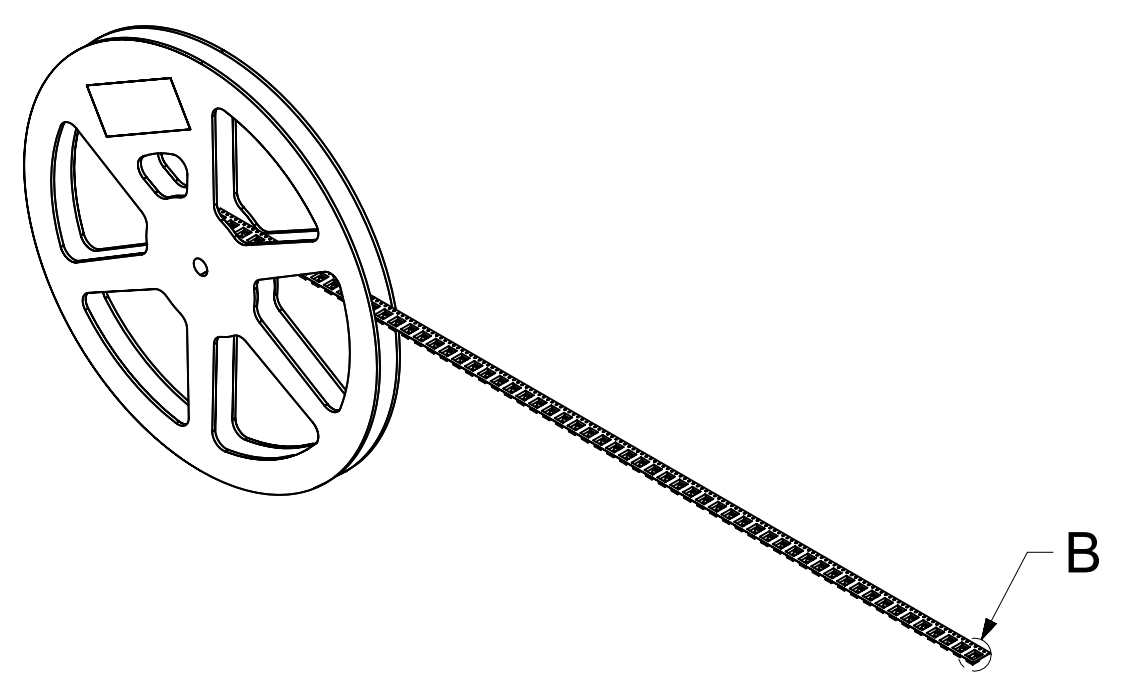


LABEL:  
 -ORDER NUMBER  
 -QUANTITY  
 -PART NUMBER  
 -LOT NUMBER



Ø .502 REF [12.75]

VIEWS FOR 73406-6181



DETAIL B

THIS DRAWING CONTAINS INFORMATION THAT IS PROPRIETARY TO MOLEX ELECTRONIC TECHNOLOGIES, LLC AND SHOULD NOT BE USED WITHOUT WRITTEN PERMISSION									
DIMENSION UNITS <b>INCH/MM</b>		SCALE <b>NTS</b>		CURRENT REV DESC: ADD 73406-6182 PER EWR #15321-B				<b>molex</b>	
GENERAL TOLERANCES (UNLESS SPECIFIED)				EC NO: 719042					
ANGULAR TOL ± 2.0°		4 PLACES ±		DRWN: RYEH		2022/08/09		SMP PLUG, PCB EDGEMOUNT 50 OHMS LIMITED DETENT SMP-P/PCB	
3 PLACES ±		2 PLACES ±		CHK'D: YCHENG		2022/08/26		PRODUCT CUSTOMER DRAWING	
1 PLACE ±		0 PLACES ±		APPR: YCHENG		2022/08/26		DOCUMENT NUMBER	
INITIAL REVISION:				DRWN: JLEE02		2009/01/23		SD-73406-618	
APPR: JWIENER				2009/01/23		MATERIAL NUMBER		CUSTOMER	
DRAFT WHERE APPLICABLE MUST REMAIN WITHIN DIMENSIONS		THIRD ANGLE PROJECTION		DRAWING		SERIES		SHEET NUMBER	
				<b>C-SIZE</b>		<b>73406</b>		GENERAL MARKET	
DOCUMENT STATUS		P1		RELEASE DATE		2022/08/26 09:18:47		PSD 001 A2	
								3 OF 3	