

4

3

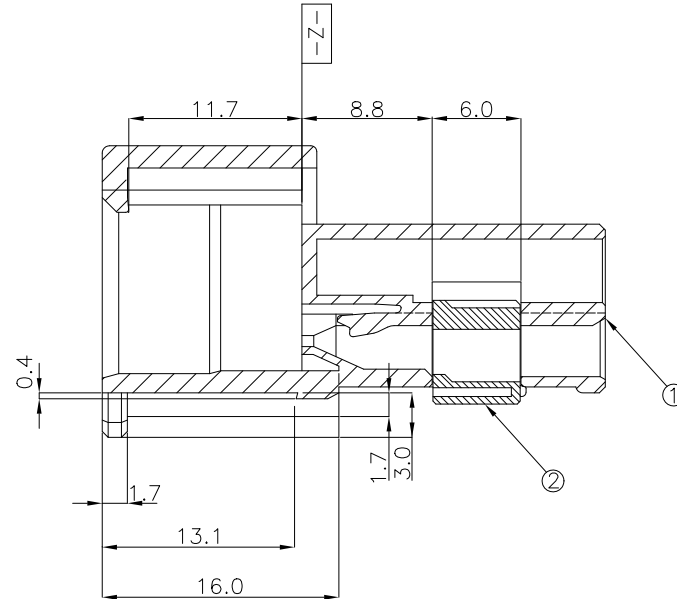
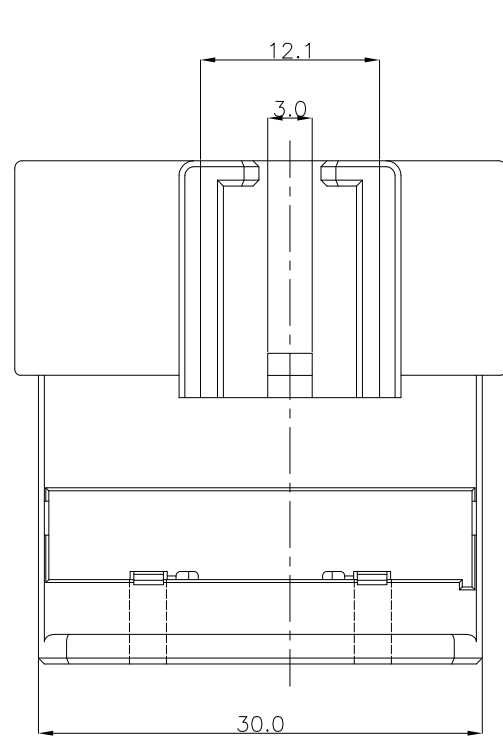
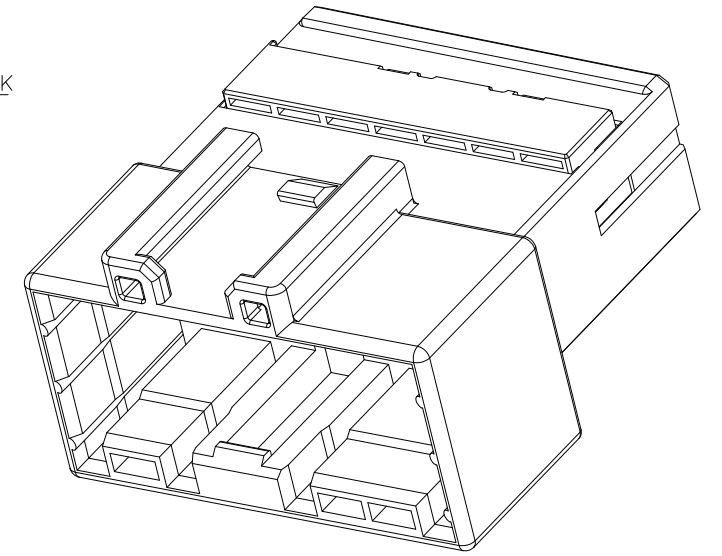
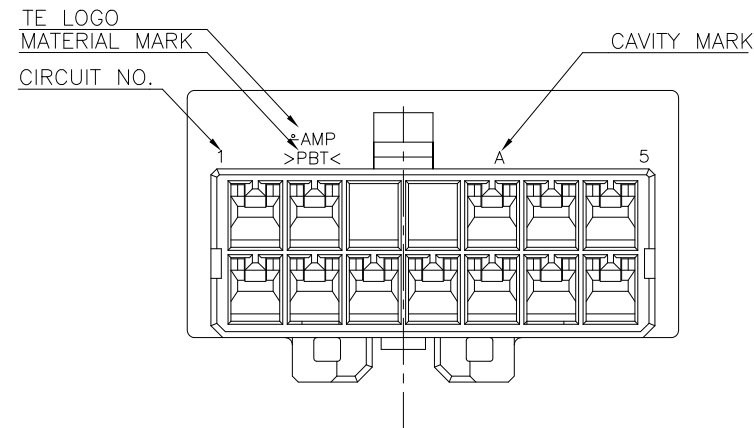
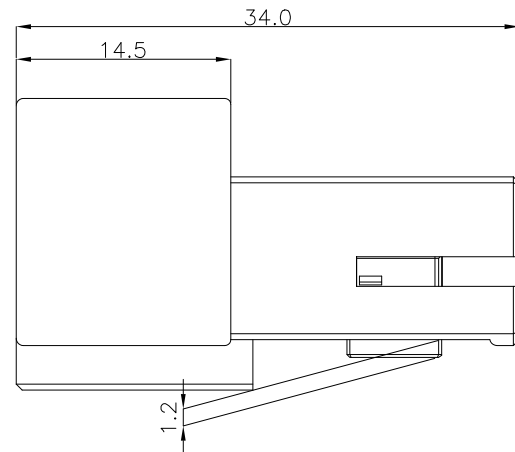
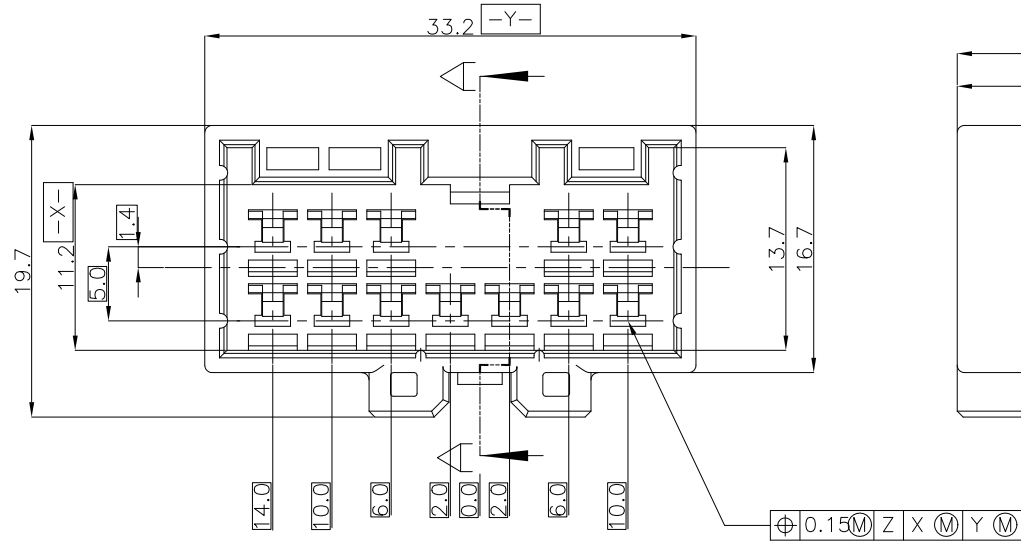
2

1

THIS DRAWING IS UNPUBLISHED. RELEASED FOR PUBLICATION

© COPYRIGHT BY TYCO ELECTRONICS CORPORATION, ALL RIGHTS RESERVED.

| LOC | DIST | REVISIONS | | | | | |
|-----|------|-----------|-----|-------------------------|------------|-------|------|
| | | P | LTR | DESCRIPTION | DATE | DWN | APVD |
| DS | - | | A | REVISED (FC00-0014-03) | 28.JAN.'03 | KTLIM | CS |
| | | | A1 | REVISED (ECR-09-005035) | 24.MAR.'09 | KT | HG |



SECTION A-A

NOTES.

1. THE MATING HSG. P/N ; 936196
2. APPLIED CONTACT P/N ; 090 II TAB. - 368086, 368087, 368088, 1897752

-주기-

1. 상대 하우징 P/N ; 936196
2. 적용단자 P/N. ; 090 II TAB. - 368086, 368087, 368088, 1897752

| ASSY P/N |
|------------|
| 0-936207-8 |
| 0-936207-5 |
| 0-936207-4 |
| 0-936207-3 |
| 0-936207-2 |
| 0-936207-1 |

| NO | COLOR | MATERIAL | DESCRIPTION | P/N | QTY |
|----|---------|----------|-------------|------------|-------------|
| 1 | BLUE | PBT | CAP | 0-936208-8 | 1 |
| | YELLOW | PBT | CAP | 0-936208-5 | 1 |
| | BROWN | PBT | CAP | 0-936208-4 | 1 |
| | D/GRAY | PBT | CAP | 0-936208-3 | 1 |
| | BLACK | PBT | CAP | 0-936208-2 | 1 |
| | NATURAL | PBT | CAP | 0-936208-1 | 1 |
| 2 | NATURAL | PBT | DBL | 0-936198-1 | 1 1 1 1 1 1 |

THIS DRAWING IS A CONTROLLED DOCUMENT FOR TYCO ELECTRONICS CORPORATION IT IS SUBJECT TO CHANGE AND THE CONTROLLING ENGINEERING ORGANIZATION SHOULD BE CONTACTED FOR THE LATEST REVISION.

| | |
|----------------|---|
| DIMENSIONS: MM | TOLERANCES UNLESS OTHERWISE SPECIFIED: 0 <XX<10 ± 0.2 10<XX<30 ± 0.25 30<XX ± 0.3 ANGLES ± 3° |
| MATERIAL | FINISH |
| SEE TABLE | |

DWN KT JUNG
CHK JW JUNG
APVD HG CHD
PRODUCT SPEC -
APPLICATION SPEC -
WEIGHT -

Tyco Electronics AMP KOREA, Kyungsan, Korea
NAME: 090III 12P CAP ASS'Y
SIZE: A3 CAGE CODE: 00779 DRAWING NO: C-936207 RESTRICTED TO: -
CUSTOMER DRAWING SCALE: 2/1 SHEET 1 OF 1 REV: A1