



MAX3636 Evaluation Kit

General Description

The MAX3636 evaluation kit (EV kit) is a fully assembled and tested demonstration board that simplifies evaluation of the MAX3636 low-jitter, wide-frequency range, clock generator. The EV kit includes an on-board 25MHz crystal and switches for selecting different modes of operation. The reference inputs and clock outputs use SMA connectors and are AC-coupled to simplify connection to test equipment.

EV Kit Contents

◆ MAX3636 EV Kit Board

Features

- ◆ Fully Assembled and Tested
- ◆ On-Board 25MHz Crystal
- ◆ Switches for Selecting Modes of Operation
- ◆ SMA Connectors and AC-Coupled Clock I/Os

Ordering Information

PART	TYPE
MAX3636EVKIT+	EV Kit

+Denotes lead(Pb)-free and RoHS compliant.

Component List

DESIGNATION	QTY	DESCRIPTION
C1–C10, C14, C15, C16, C18–C24, C27–C32, C34–C37	30	0.1 μ F \pm 10% ceramic capacitors (0402)
C11	1	2.2 μ F \pm 10% ceramic capacitor (0603)
C12	1	0.1 μ F \pm 10% ceramic capacitor (0603)
C13	1	33 μ F \pm 10% tantalum capacitor (B case) AVX TAJB336K010R
C17	1	27pF \pm 10% ceramic capacitor (0402)
C25	1	33pF \pm 10% ceramic capacitor (0402)
C26	1	10 μ F \pm 10% ceramic capacitor (0603)
C33	1	3pF \pm 10% ceramic capacitor (0402)
J1–J9, J11, J13–J24	22	SMA connectors, edge-mount, tab contact Johnson 142-0701-851
J10, J12	2	Test points Keystone 5000
L1, L4, L5, L8, L9, L11, L13, L16, L17, L20, L21, L24, L25, L28, L29, L32, L35, L36	18	Ferrite beads (0402) Murata BLM15HD102SN1

DESIGNATION	QTY	DESCRIPTION
L2, L3, L6, L7, L10, L12, L14, L15, L18, L19, L22, L23, L26, L27, L30, L31, L33, L34	18	4.7 μ H \pm 10% inductors (0805) Murata LQM21NN4R7K10
R1–R10, R12, R15–R18, R20, R21, R22	18	150 Ω \pm 1% resistors (0402)
R11	1	49.9 Ω \pm 1% resistor (0402)
R13	1	10.5 Ω \pm 1% resistor (0402)
R14	1	33.2 Ω \pm 1% resistor (0402)
R19	1	499 Ω \pm 1% resistor (0402)
S1–S17	17	Switches, SP3T, slide ALPS SSS211900
S18–S21	4	Switches, SPDT, slide E-Switch EG1218
TP1, TP2	2	Test points Keystone 5000
U1	1	Clock generator (48 TQFN-EP*) Microsemi MAX3636ETM+
U2	1	25MHz crystal NDK EXS00A-AT00429
—	1	PCB: MAX3636 EVALUATION BOARD+, REV A

*EP = Exposed pad.

Evaluates: MAX3636

MAX3636 Evaluation Kit

Quick Start

- Set the switches to the following settings to generate a 156.25MHz LVDS output from the 25MHz crystal reference:
 - IN_SEL = XO
 - PLL_BP = LOW
 - DM = LOW
 - DP1 = LOW, DP0 = HIGH
 - DF1 = LOW, DF0 = LOW
 - DA1 = HIGH, DA0 = LOW
 - DB1 = HIGH, DB0 = LOW
 - DC1 = HIGH, DC0 = LOW
 - QA_CTRL1 = LVDS
 - QA_CTRL2 = DISABLED
 - QB_CTRL = DISABLED
 - QC_CTRL = DISABLED
 - QA_TERM1 = LVDS
 - QA_TERM2 = LVDS
 - QB_TERM = LVDS
 - QC_TERM = LVDS
- Connect a 3.3V supply to VCC (J10) and GND (J12). Set the supply current limit to 500mA.
- Using SMA cables, connect QA0 (J11) and $\overline{\text{QA0}}$ (J13) to a phase noise analyzer or scope. Terminate all unused enabled outputs, QA1 (J14), $\overline{\text{QA1}}$ (J15), QA2 (J16), and $\overline{\text{QA2}}$ (J17).

Detailed Description

The MAX3636 EV kit simplifies evaluation by providing the hardware needed to evaluate all the MAX3636 functions. Table 1 contains functional descriptions for the switches. Table 2 provides the divider settings for various frequency configurations.

LVC MOS Clock Input

The LVC MOS clock input, CIN, is AC-coupled at the SMA connector and has an on-board 50 Ω termination. For optimal performance it is important to use a low-jitter square-wave clock source. Clock signals should be applied to CIN only when the switch IN_SEL is set to CIN.

Differential Clock Input

The differential clock input, DIN, is AC-coupled at the SMA connectors and has an internal 100 Ω differential termination. For optimal performance it is important to use a low-jitter, differential, square-wave clock source. Clock signals should be applied to DIN only when the switch IN_SEL is set to DIN.

LVDS/LVPECL Clock Outputs

The LVDS/LVPECL clock outputs (QA[4:0], QB[2:0], QC) are configured using switches S14–S21. Each output has an on-board bias-T, which provides DC bias when configured as LVPECL and AC-coupling for direct connection to 50 Ω -terminated test equipment. Unused outputs should be disabled (using switches S14–S17) or have 50 Ω terminations placed on the SMA connectors. For optimal jitter measurements, a balun is recommended for differential to single-ended conversion when connected to single-ended test equipment such as a phase noise analyzer. See Figure 1 for the measurement setup.

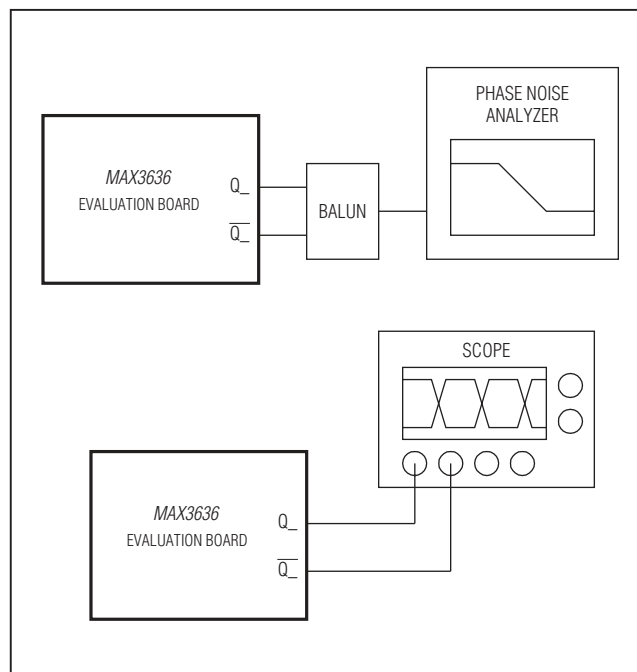


Figure 1. Measurement Setup

MAX3636 Evaluation Kit

Evaluates: MAX3636

LVC MOS Clock Output

The LVC MOS clock output, QCC, has a 500Ω series load resistor and is AC-coupled at the SMA connector. This output can be connected to 50Ω-terminated test equip-

ment, or a high-Z (1MΩ) scope probe. If connected to 50Ω test equipment, the output swing at the termination is approximately 275mV_{p-p}.

Table 1. Switch Descriptions

COMPONENT	NAME	FUNCTION
S1	IN_SEL	Selects input reference clock source. DIN = Differential input DIN, $\overline{\text{DIN}}$ CIN = LVC MOS input CIN XO = Crystal reference (25MHz on-board)
S2	PLL_BP	Selects PLL bypass mode. HIGH = All outputs PLL bypass OPEN = C output bank PLL bypass LOW = All outputs PLL enabled
S3	DM	Selects input divider M. See Table 2.
S4, S5	DP1, DP0	Selects VCO prescale divider P. See Table 2.
S6, S7	DF1, DF0	Selects feedback divider F. See Table 2.
S8, S9	DA1, DA0	Selects output divider A. See Table 2.
S10, S11	DB1, DB0	Selects output divider B. See Table 2.
S12, S13	DC1, DC0	Selects output divider C. See Table 2.
S14	QA_CTRL1	Selects QA[2:0] output interface (LVPECL, LVDS, or DISABLED).
S15	QA_CTRL2	Selects QA[4:3] output interface (LVPECL, LVDS, or DISABLED).
S16	QB_CTRL	Selects QB[2:0] output interface (LVPECL, LVDS, or DISABLED).
S17	QC_CTRL	Selects QC and QCC output interface. LVPECL = QC output LVPECL, QCC output LVC MOS DISABLED = QC and QCC disabled LVDS = QC output LVDS, QCC output LVC MOS
S18	QA_TERM1	Selects QA[2:0] output termination. Provides DC path to GND for QA[2:0] bias-Ts when switched to LVPECL. DC path to GND is open when switched to LVDS.
S19	QA_TERM2	Selects QA[4:3] output termination. Provides DC path to GND for QA[4:3] bias-Ts when switched to LVPECL. DC path to GND is open when switched to LVDS.
S20	QB_TERM	Selects QB[2:0] output termination. Provides DC path to GND for QB[2:0] bias-Ts when switched to LVPECL. DC path to GND is open when switched to LVDS.
S21	QC_TERM	Selects QC output termination. Provides DC path to GND for QC bias-Ts when switched to LVPECL. DC path to GND is open when switched to LVDS.

MAX3636 Evaluation Kit

Table 2. Divider Settings for Various Frequency Configurations

INPUT FREQUENCY (MHz)	INPUT DIVIDER	FEEDBACK DIVIDER		VCO FREQUENCY (MHz)	PRESCALE DIVIDER		OUTPUT DIVIDER		OUTPUT FREQUENCY (MHz)	APPLICATIONS
	DM	DF1	DF0		DP1	DP0	DA1 DB1	DA0 DB0		
19.44	LOW	HIGH	HIGH	3732.48	LOW	HIGH	OPEN	OPEN	622.08	SONET/SDH, STM-N
38.88	LOW	HIGH	LOW				LOW	LOW	311.04	
155.52	OPEN	HIGH	LOW				HIGH	HIGH	155.52	
							LOW	OPEN	77.76	
							LOW	OPEN	38.88	
25	LOW	LOW	LOW	3750	LOW	HIGH	OPEN	OPEN	625	Ethernet
31.25	LOW	LOW	HIGH				LOW	LOW	312.5	
62.5	OPEN	LOW	OPEN				LOW	HIGH	156.25	
125	HIGH	LOW	LOW				HIGH	LOW	125	
156.25	HIGH	LOW	HIGH				OPEN	HIGH	62.5	
26.04166	LOW	HIGH	OPEN				OPEN	LOW	25	
25	LOW	OPEN	HIGH	3750	LOW	LOW	OPEN	OPEN	750	Various
31.25	LOW	HIGH	OPEN				LOW	LOW	375	
62.5	OPEN	OPEN	LOW				LOW	HIGH	187.5	
							HIGH	LOW	150	
125	OPEN	HIGH	OPEN				HIGH	HIGH	125	
							OPEN	HIGH	75	
							OPEN	LOW	30	
15.36	LOW	OPEN	LOW	3686.4	LOW	LOW	OPEN	OPEN	737.28	Wireless Base Station: WCDMA, cdma2000®, LTE, TD_SCDMA, WiMAX™, GSM
30.72	LOW	HIGH	OPEN				LOW	LOW	368.64	
61.44	OPEN	OPEN	LOW				LOW	HIGH	184.32	
122.88	OPEN	HIGH	OPEN				HIGH	HIGH	122.88	
							HIGH	OPEN	92.16	
15.36	LOW	LOW	OPEN	3686.4	LOW	HIGH	OPEN	OPEN	614.4	
19.2	LOW	HIGH	HIGH				LOW	LOW	307.2	
30.72	LOW	LOW	HIGH				LOW	HIGH	153.6	
38.4	LOW	HIGH	LOW				HIGH	LOW	122.88	
61.44	OPEN	LOW	OPEN				HIGH	HIGH	102.4	
76.8	OPEN	HIGH	HIGH				HIGH	OPEN	76.8	
122.88	OPEN	LOW	HIGH				OPEN	HIGH	61.44	
30.72	LOW	HIGH	LOW				OPEN	OPEN	491.52	
122.88	OPEN	HIGH	LOW	3932.16	OPEN	OPEN	LOW	LOW	245.76	
							LOW	HIGH	122.88	
							HIGH	OPEN	61.44	
153.6	HIGH	HIGH	LOW				LOW	OPEN	30.72	

cdma2000 is a registered trademark of the Telecommunications Industry Association.

WiMAX is a trademark of WiMAX Forum.

MAX3636 Evaluation Kit

Evaluates: MAX3636

Table 2. Divider Settings for Various Frequency Configurations (continued)

INPUT FREQUENCY (MHz)	INPUT DIVIDER	FEEDBACK DIVIDER		VCO FREQUENCY (MHz)	PRESCALE DIVIDER		OUTPUT DIVIDER		OUTPUT FREQUENCY (MHz)	APPLICATIONS
	DM	DF1	DF0		DP1	DP0	DA1 DB1	DA0 DB0		
26	LOW	HIGH	LOW	3744	LOW	OPEN	OPEN	OPEN	416	GSM
52	OPEN	HIGH	HIGH				LOW	HIGH	104	
							HIGH	OPEN	52	
							LOW	OPEN	26	
26.5625	LOW	HIGH	OPEN	3825	HIGH	OPEN	LOW	LOW	318.75	FC-SAN
26.5625	LOW	HIGH	LOW	3825	LOW	OPEN	LOW	HIGH	159.375	
							HIGH	HIGH	106.25	
26.5625	LOW	HIGH	LOW	3825	LOW	OPEN	LOW	LOW	212.5	FC-SAN
							LOW	HIGH	106.25	
33.3	LOW	HIGH	OPEN	4000	HIGH	HIGH	LOW	LOW	400	Server, FB-DIMM, Network Processor, DDR/QDR Memory, PCIe®, SATA
	133.33						OPEN	LOW	HIGH	
166.67	HIGH	HIGH	HIGH				133.333			
25	LOW	HIGH	HIGH				HIGH	OPEN	100	
100	OPEN						LOW	OPEN	50	
125	HIGH	OPEN	HIGH				4000	HIGH	LOW	
33.3	LOW			LOW	HIGH	250				
133.33	OPEN	HIGH	HIGH	200						
166.67	HIGH	LOW	OPEN	4000	HIGH	LOW	HIGH	HIGH	166.67	
25	LOW						HIGH	OPEN	125	
100	OPEN	HIGH	HIGH	4000	HIGH	LOW	OPEN	HIGH	100	
125	HIGH						OPEN	LOW	40	
31.25	LOW	HIGH	HIGH	4000	HIGH	LOW	OPEN	HIGH	100	
125	OPEN						OPEN	LOW	40	
156.25	HIGH	HIGH	HIGH	4000	OPEN	OPEN	LOW	LOW	250	Server, FB-DIMM, Network Processor, DDR/QDR Memory, PCIe, SATA
15.625	LOW						LOW	HIGH	125	
62.5	OPEN	HIGH	LOW	100						
78.125	HIGH	OPEN	HIGH	4000	OPEN	OPEN	HIGH	OPEN	62.5	
							OPEN	HIGH	50	
66.67	OPEN	OPEN	HIGH	4000	OPEN	OPEN	OPEN	LOW	20	
33.3	LOW	LOW	HIGH	4000	HIGH	OPEN	LOW	LOW	333.33	Various
133.33	OPEN						LOW	HIGH	166.67	
							HIGH	LOW	133.33	
166.67	HIGH						HIGH	OPEN	83.33	
32.76	LOW	LOW	HIGH	3931.2	HIGH	OPEN	HIGH	LOW	131.04	Microwave Radio Link
							OPEN	HIGH	65.52	

PCIe is a registered trademark of PCI-SIG Corp.

MAX3636 Evaluation Kit

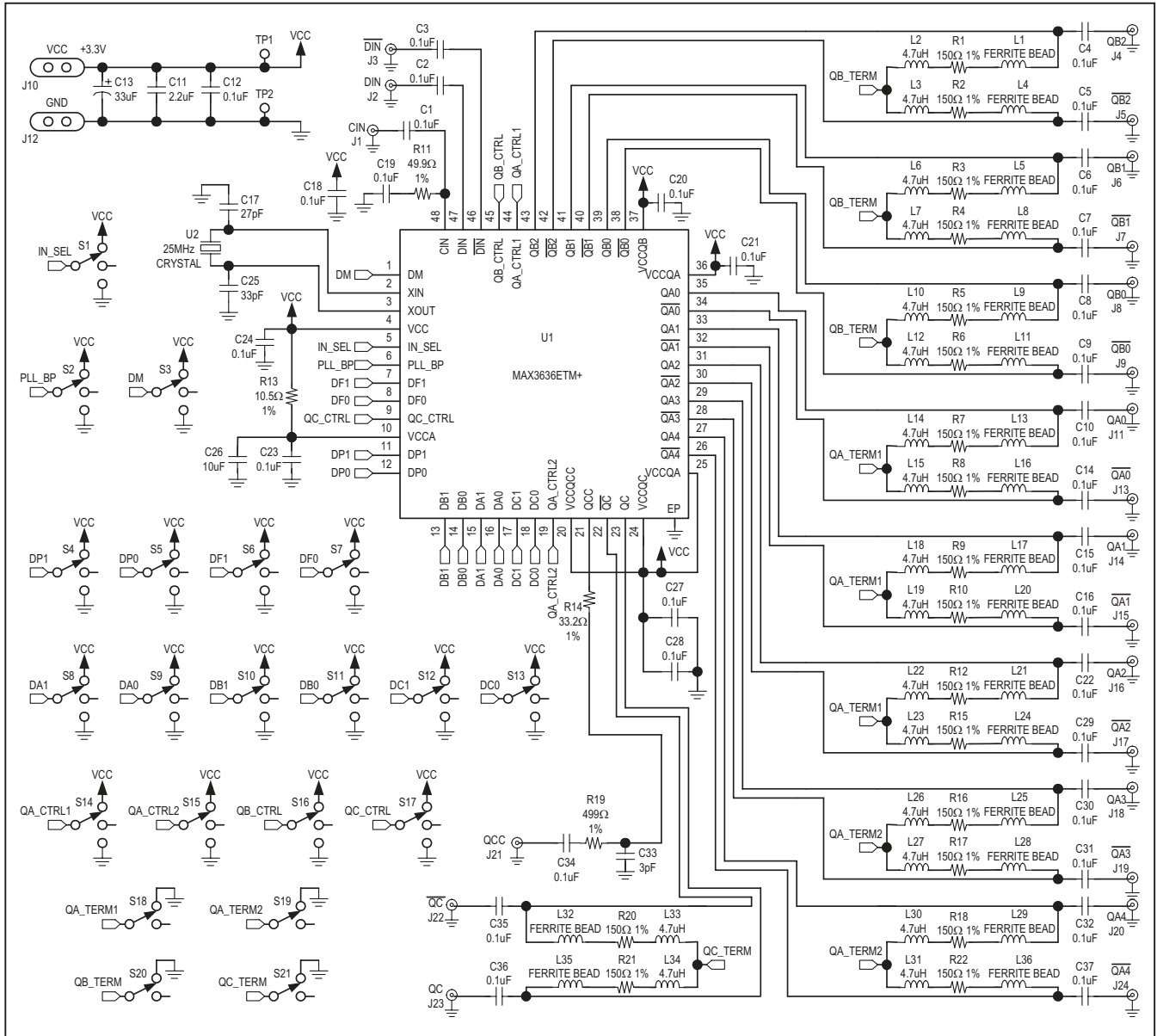


Figure 2. MAX3636 EV Kit Schematic

MAX3636 Evaluation Kit

Evaluates: MAX3636

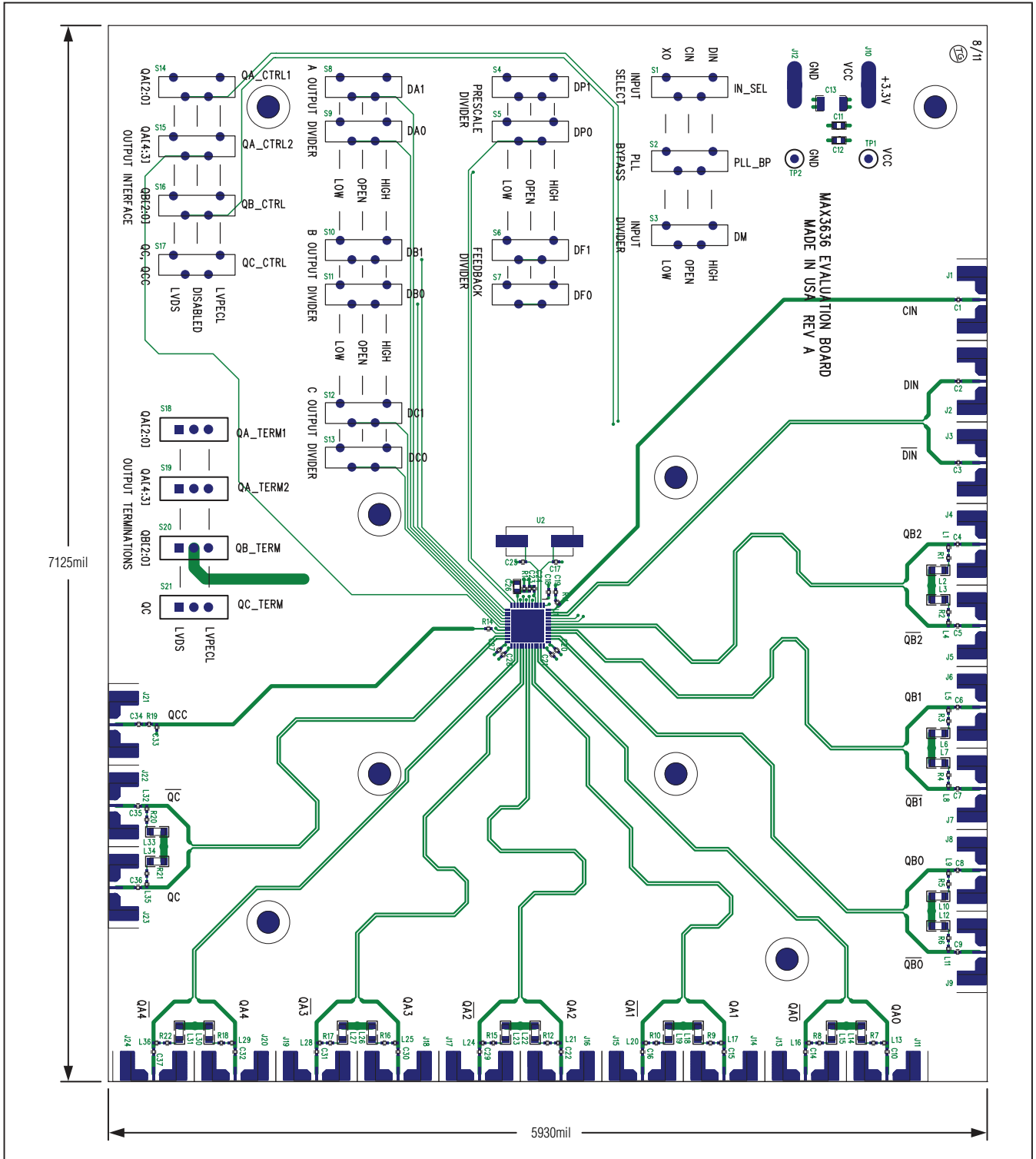


Figure 3. MAX3636 EV Kit Component Placement Guide—Component Side

MAX3636 Evaluation Kit

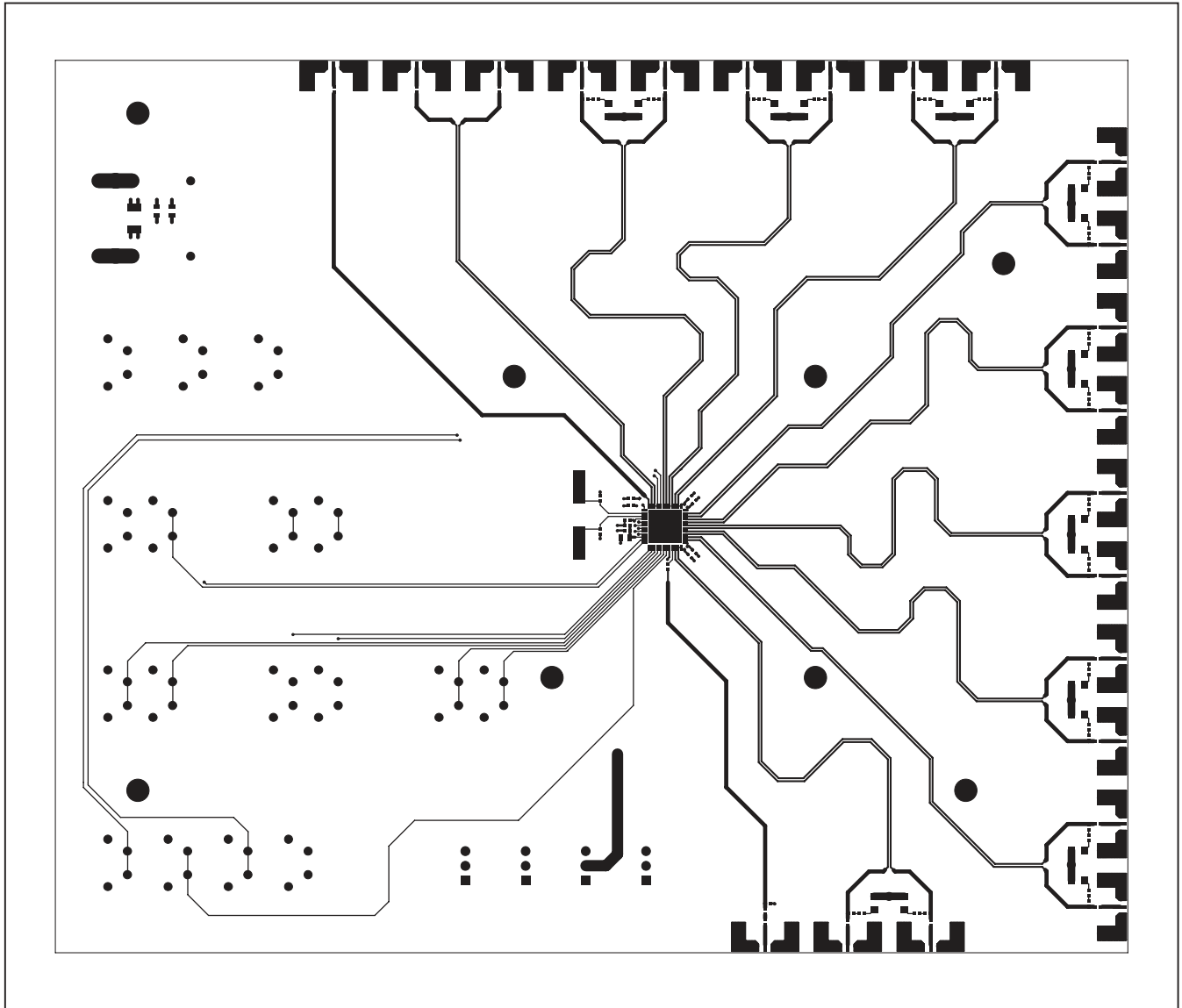


Figure 4. MAX3636 EV Kit PCB Layout—Component Side

MAX3636 Evaluation Kit

Evaluates: MAX3636

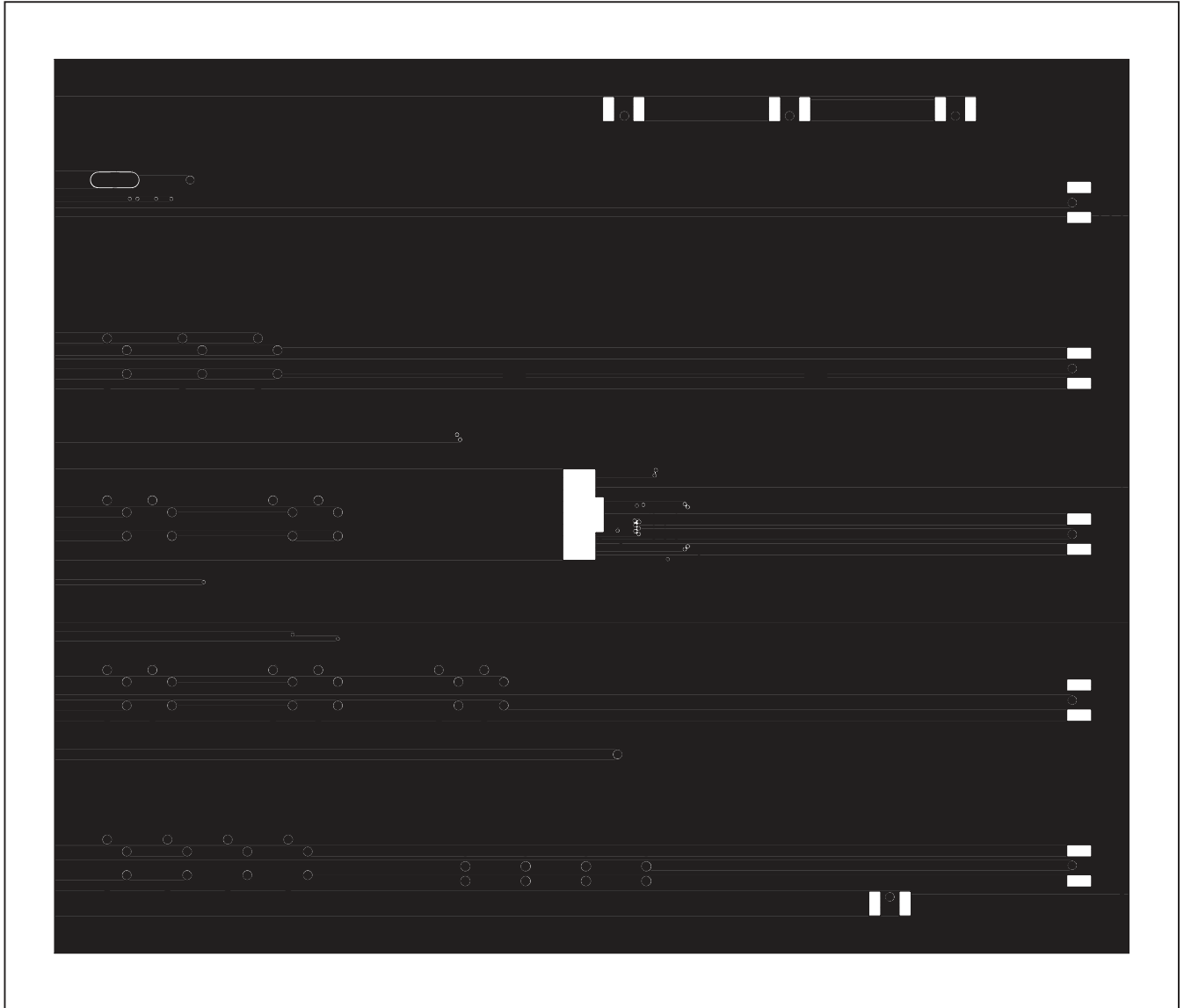


Figure 5. MAX3636 EV Kit PCB Layout—Ground Plane

MAX3636 Evaluation Kit

Evaluates: MAX3636



Figure 6. MAX3636 EV Kit PCB Layout—Power Plane

MAX3636 Evaluation Kit

Evaluates: MAX3636

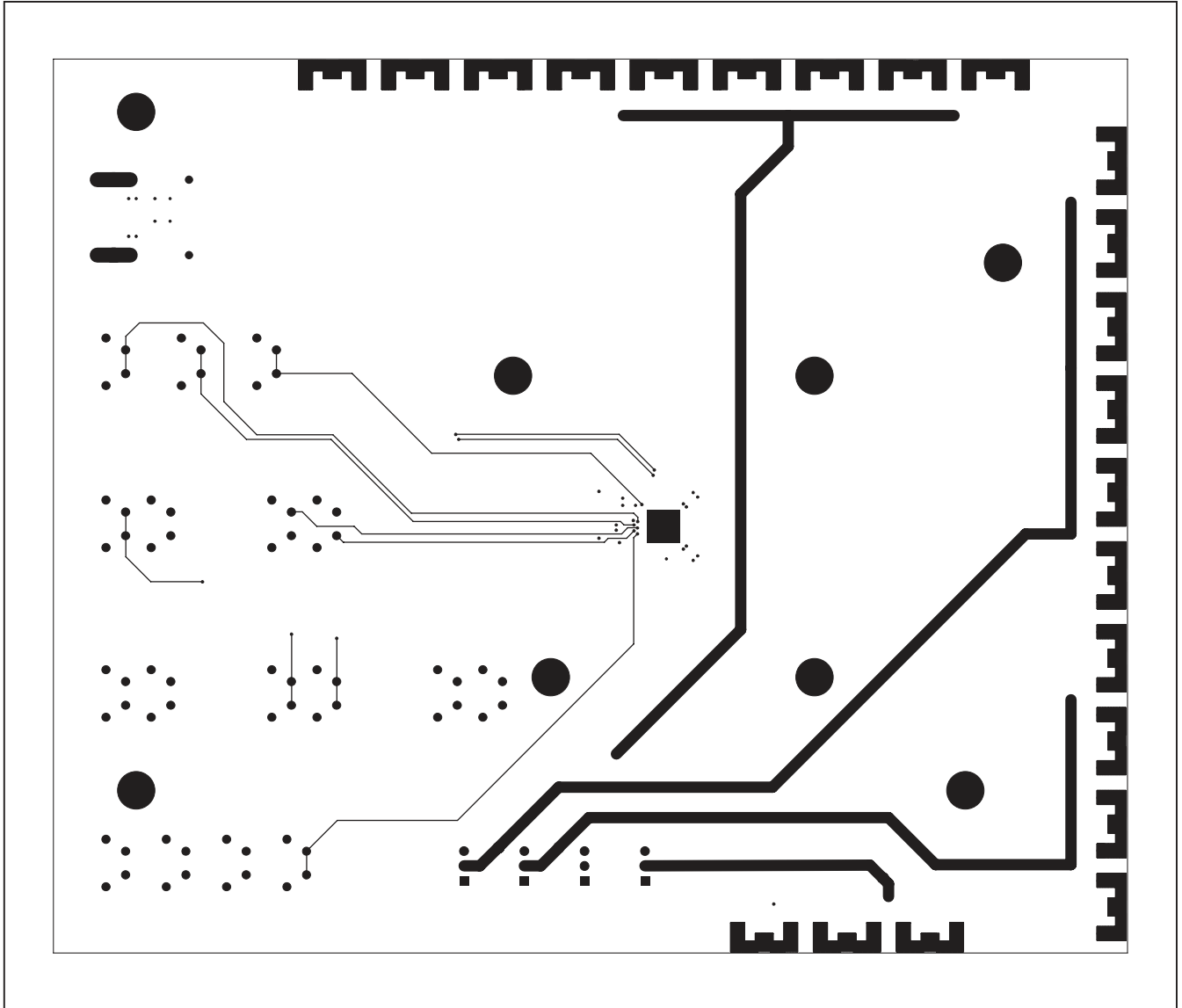


Figure 7. MAX3636 EV Kit PCB Layout—Solder Side

MAX3636 Evaluation Kit

Revision History

REVISION NUMBER	REVISION DATE	DESCRIPTION	PAGES CHANGED
0	2/12	Initial release	—



Microsemi Corporate Headquarters
One Enterprise, Aliso Viejo CA 92656 USA
Within the USA: +1 (949) 380-6100
Sales: +1 (949) 380-6136
Fax: +1 (949) 215-4996

Microsemi Corporation (NASDAQ: MSCC) offers a comprehensive portfolio of semiconductor solutions for: aerospace, defense and security; enterprise and communications; and industrial and alternative energy markets. Products include high-performance, high-reliability analog and RF devices, mixed signal and RF integrated circuits, customizable SoCs, FPGAs, and complete subsystems. Microsemi is headquartered in Aliso Viejo, Calif. Learn more at www.microsemi.com.

© 2012 Microsemi Corporation. All rights reserved. Microsemi and the Microsemi logo are trademarks of Microsemi Corporation. All other trademarks and service marks are the property of their respective owners.