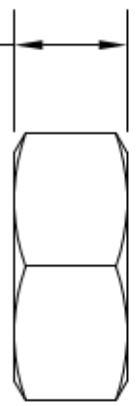


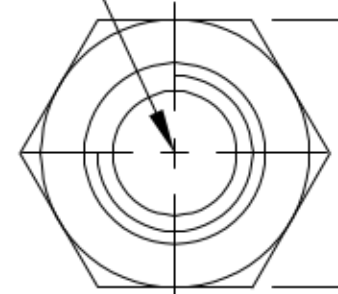
REV.	DESCRIPTION	DATE
A	RELEASE	2019.05.16

# NUT AND SCREW

2.0±0.2

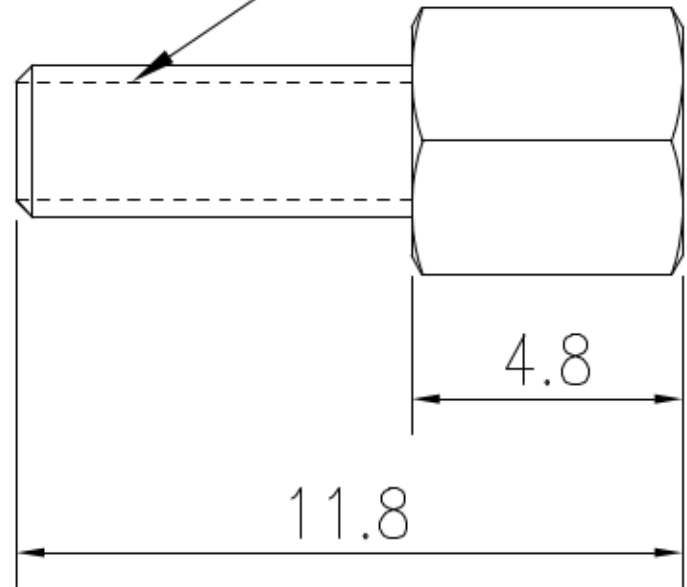


#4-40UNC



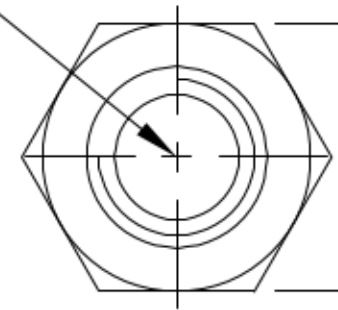
4.75±0.15

#4-40UNC



11.8

4.8



4.75±0.15

UNLESS TOLERANCE		DRAW BY	
GENERAL	ANGLE	DESIGN BY	CHECK BY
X. ± 0.30	X.' ± 3.0'		
.X ± 0.20	.X' ± 2.0'		
.XX ± 0.15	.XX' ± 1.0'		
.XXX ± 0.08	.XXX' ± 0.5'		
		SCALE	SHEET
		1:1	1/1
		UNIT	
		MM	

**CnC Tech,LLC**

Part No.: 10-40

Nut and Screw, 1000pcs bag/each

DRW NO: \_\_\_\_\_ REV: A