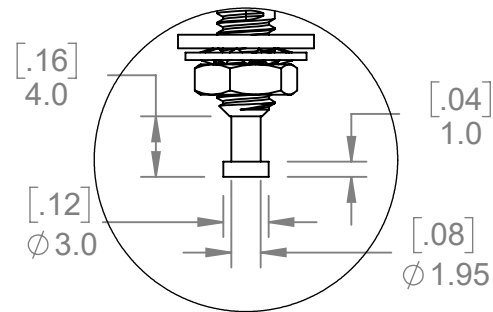


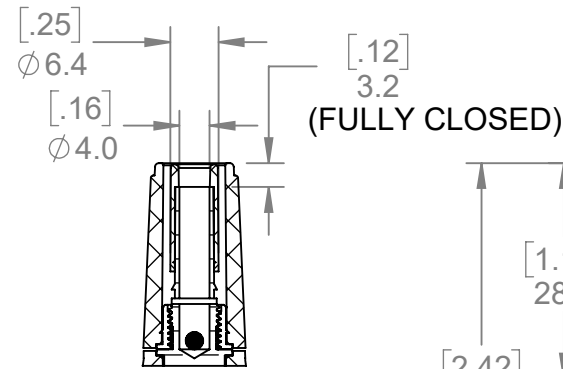
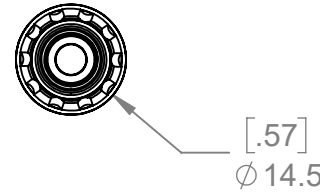
THIS IS ISSUED IN STRICT CONFIDENCE THAT IT IS NOT USED AS A BASIS FOR MANUFACTURE OR SALE AND THAT IT IS NOT COPIED, REPRINTED OR DISCLOSED TO A THIRD PARTY EITHER WHOLLY OR IN PART WITHOUT THE PRIOR WRITTEN CONSENT OF CAL TEST ELECTRONICS, INC.

NOTES:

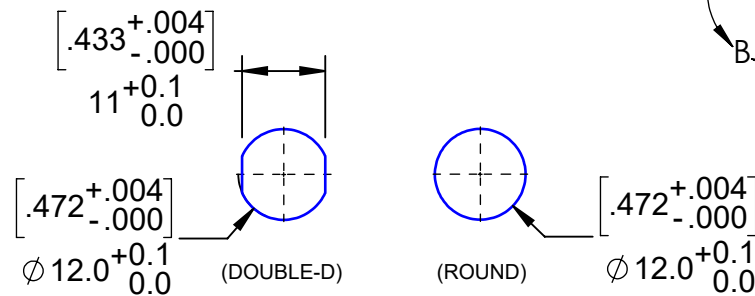
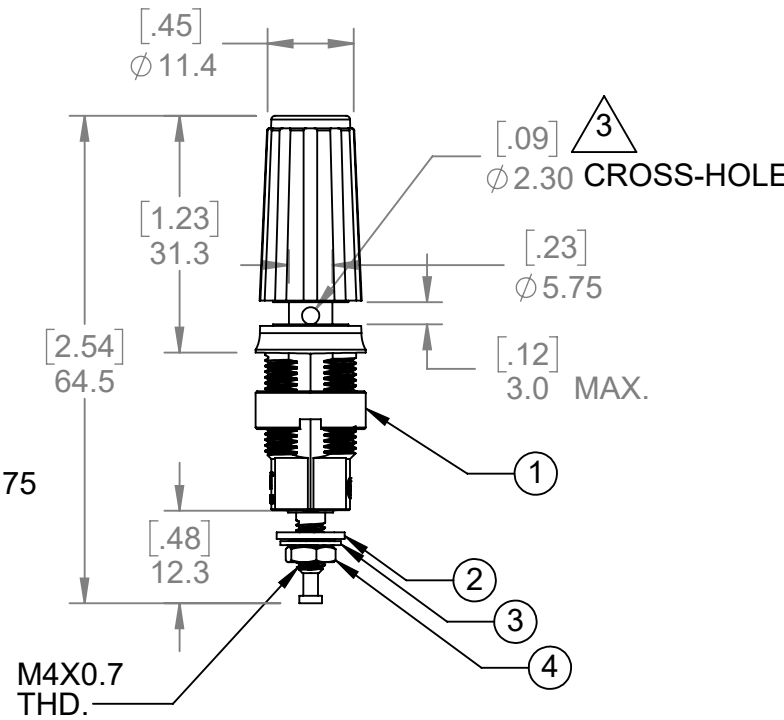
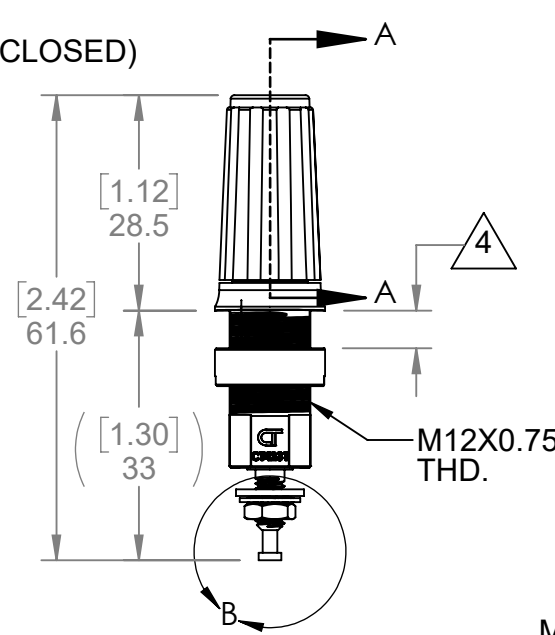
- MATERIAL:**  
BODY, CAP & INNER INSULATOR: NYLON 6.6 (PA), UL94-1,  
COLORS: BODY & INNER INSULATOR, GREY; CAP, PER PART NUMBER.  
CONTACT, PANEL NUT & ACCESSORIES: BRASS, C360, NICKEL PLATED.
- SPECIFICATIONS:**  
VOLTAGE: 100 V CAT II P2, PER IEC/EN 61010-1.  
CURRENT: 36 A MAX.  
OPERATING TEMPERATURE: 0°C TO +60°C
- CROSS-HOLE ALIGNED ±3° PERPEDICULAR TO MOUNTING FLATS.**
- MAXIMUM PANEL THICKNESS: 9 mm.**
- MAXIMUM TIGHTENING TORQUE ON M12 PANEL NUT: 2.3 N.m (1.70 FT-LBF).**
- RECOMMENDED ASSEMBLY TOOL: CT2246A.**
- HARDWARE INCLUDED (1 EACH):**
  - PANEL NUT (CT2830)
  - M4 FLAT WASHER
  - M4 LOCK WASHER
  - M4 NUT
- ROHS 2 COMPLIANT; EXEMPTION ANNEX III 6(C)**
- WEIGHT: 18.3 GRAMS**



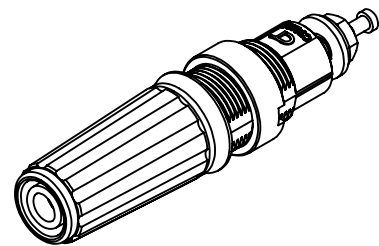
DETAIL B  
SCALE 2 : 1  
(SOLDER TURRET)



SECTION A-A



MOUNTING HOLES



ISOMETRIC VIEW

REVISIONS			
REV.	DESCRIPTION	DATE	APPROVED
A	CLASS A RELEASE	5/14/2019	
B	NOTE 2., VOLTAGE: UPDATE BASED ON LVD TESTING, WAS 600 V *NO RATED MEASUREMENT CATEGORY	7/30/2019	

PART NUMBER	CONFIGURATION / PLATING	CAP COLOR
CT4231-NI-5	NICKEL PLATED	GREEN
CT4231-NI-2	NICKEL PLATED	RED
CT4231-NI-0	NICKEL PLATED	BLACK

PART NUMBER TABLE

<b>METRIC</b>	UNLESS OTHERWISE SPECIFIED DIMENSIONS ARE IN MILLIMETERS TOLERANCES ARE: PER DIN ISO 2768m	PROJECT NO. <b>C368</b>	<b>Cal Test Electronics</b> 22820 Savi Ranch Parkway Yorba Linda, CA 92887	
	DO NOT SCALE DRAWING	APPROVALS	DATE	TITLE
THIRD ANGLE PROJECTION	MATERIAL SEE NOTES	DRAWN WDH	5/1/2019	<b>4 mm SAFETY BINDING POST, PANEL MOUNT</b>
	TREATMENT	CHECKER T.Schmidt	5/14/2019	
	FINISH SEE NOTES	ENGR. B.Hansen	5/14/2019	SIZE <b>B</b>
		DESIGN ACTIVITY		CAGE CODE <b>43F45</b>
				DWG. NO. <b>P423100</b>
				REV. <b>B</b>
		SCALE 1:1		SHEET 1 OF 1