

# High Frequency Ceramic Solutions

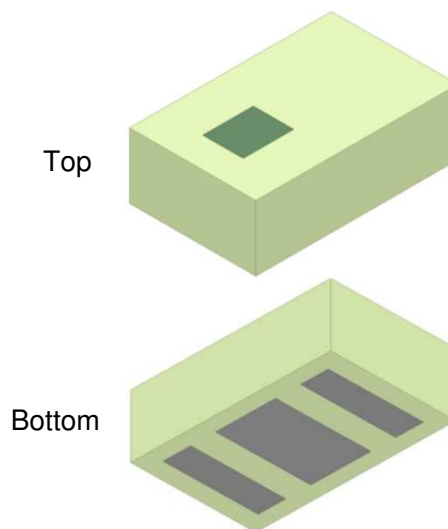
6.1GHz Band Pass Filter, EIA 0603, SMD, Low Loss and High Attenuation

P/N 6100BP14A1955

Detail Specification: 10/14/2021

Page 1 of 4

General Specifications	
Part Number	6100BP14A1955
Frequency (MHz)	5170 - 7125
Insertion loss (dB)	0.9 max.
Return Loss (dB)	15 typ. (10 min.)
Attenuation (dB)	40 min. @ 2400 - 2500MHz 30 min. @ 10340 - 14250MHz 30 min. @ 15510 - 21375MHz
Power Capacity (W)	3 max. (CW)
Operating Temperature	-40 to +85°C
Reel Quantity (pcs/reel)	4,000
Recommended Storage Conditions and Period for unused Product on T&R	+5 to +35°C Humidity 45 - 75% RH 18 months max.



You can download measured s-parameters of this component at: <https://www.johansontechnology.com/band-pass-filters>

Part Number Explanation				
P/N Suffix	Packaging Style	Bulk (loose pcs.)	Suffix = S	E.g. 6100BP14A1955S
		T & R	Suffix = T	E.g. 6100BP14A1955T
	Evaluation Board	50Ω SMA	Suffix = EB1SMA	E.g. 6100BP14A1955-EB1SMA

Mechanical Dimensions		
	In	mm
L	0.063 ± 0.006	1.60 ± 0.15
W	0.031 ± 0.006	0.80 ± 0.15
T	0.026 max.	0.65 max.
a	0.010 ± 0.004	0.25 ± 0.10
b	0.016 ± 0.004	0.40 ± 0.10
c	0.009 ± 0.002	0.23 ± 0.05
d	0.022 ± 0.004	0.55 ± 0.10
e	0.024 ± 0.004	0.60 ± 0.10

Terminal Configuration	
No.	Function
1	IN/OUT
2	GND
3	IN/OUT

Johanson Technology, Inc. reserves the right to make design changes without notice.

All sales are subject to Johanson Technology, Inc. terms and conditions.



Ver. 1.0

<https://www.johansontechnology.com>

4001 Calle Tecate • Camarillo, CA 93012, USA • TEL +1.805.389.1166

2021 Johanson Technology, Inc. All Rights Reserved

# High Frequency Ceramic Solutions

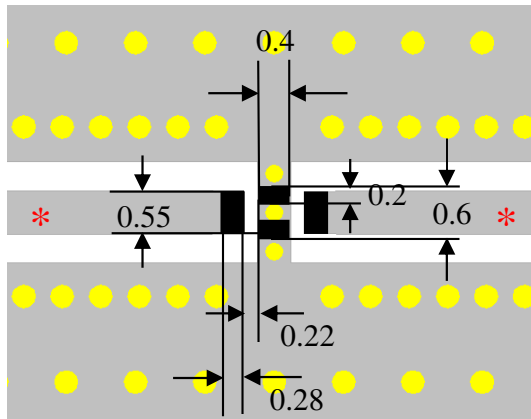
6.1GHz Band Pass Filter, EIA 0603, SMD, Low Loss and High Attenuation

P/N 6100BP14A1955

Detail Specification: 10/14/2021

Page 2 of 4

## Mounting Pad Dimensions



Units in mm

■ Solder Resist

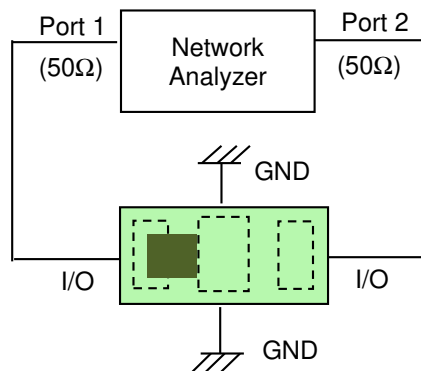
■ Land

● GND Via ( $\phi$  0.35, 0.23)

\* Transmission line width should be designed to match 50 $\Omega$  characteristic impedance, depending on PCB material and thickness.

Would you like the layout? Send us a message at: <https://www.johansontechnology.com/ask-a-question>

## Measurement Schematic



Port 1: Filter IN/OUT  
Port 2: Filter IN/OUT

Johanson Technology, Inc. reserves the right to make design changes without notice.

All sales are subject to Johanson Technology, Inc. terms and conditions.



Ver. 1.0

<https://www.johansontechnology.com>

4001 Calle Tecate • Camarillo, CA 93012, USA • TEL +1.805.389.1166

2021 Johanson Technology, Inc. All Rights Reserved

# High Frequency Ceramic Solutions

6.1GHz Band Pass Filter, EIA 0603, SMD, Low Loss and High Attenuation

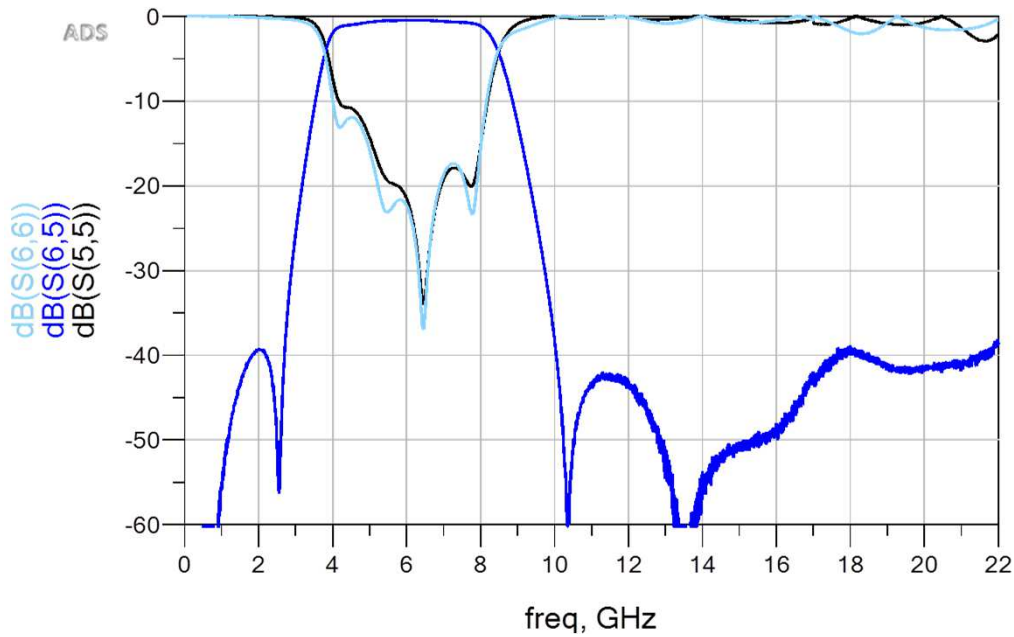
P/N 6100BP14A1955

Detail Specification: 10/14/2021

Page 3 of 4

## Typical Electrical Characteristics (T=25°C)

### Insertion Loss & Return loss



Do you need the S-parameter file of the above? Send us a message at:  
<https://www.johansontechnology.com/ask-a-question>

Johanson Technology, Inc. reserves the right to make design changes without notice.

All sales are subject to Johanson Technology, Inc. terms and conditions.



Ver. 1.0

<https://www.johansontechnology.com>

4001 Calle Tecate • Camarillo, CA 93012, USA • TEL +1.805.389.1166

2021 Johanson Technology, Inc. All Rights Reserved

# High Frequency Ceramic Solutions

6.1GHz Band Pass Filter, EIA 0603, SMD, Low Loss and High Attenuation

P/N 6100BP14A1955

Detail Specification: 10/14/2021

Page 4 of 4

## Application Notes, Layout Files, and more

<https://www.johansontechnology.com/band-pass-filters>

## Packaging information

<https://www.johansontechnology.com/tape-reel-packaging>

## Soldering Information

<https://www.johansontechnology.com/ipcsoldering-profile>

## MSL Info

<https://www.johansontechnology.com/msl-rating>

## Recommended Storage Condition and Max Shelf Life

<https://www.johansontechnology.com/recommended-storage-conditions>

## RoHS Compliance

<https://www.johansontechnology.com/rohs-compliance>

## Antenna layout and tuning techniques

<https://www.johansontechnology.com/tuning>

## Antenna layout review, tuning, and characterization services

<https://www.johansontechnology.com/ipc-antenna-services>

Johanson Technology, Inc. reserves the right to make design changes without notice.

All sales are subject to Johanson Technology, Inc. terms and conditions.



Ver. 1.0

<https://www.johansontechnology.com>

4001 Calle Tecate • Camarillo, CA 93012, USA • TEL +1.805.389.1166

2021 Johanson Technology, Inc. All Rights Reserved