

PART NUMBER	ENG. PART NO.	FINISHED LENGTH	POLES	CABLE DIA.
1200650200	803006A09M020	6 FT 7 IN [2.0M]	3	.19
1200650418	804006A09M040	13 FT 1 IN [4.0M]	4	.20
1200650522	805006A09M010	3 FT 3 IN [1.0M]	5	.22
1200650533	805006A09M100	32 FT 10 IN [10.0M]	5	.22
1200659220	805006A09M300	98 FT 5 IN [30.0M]	5	.22

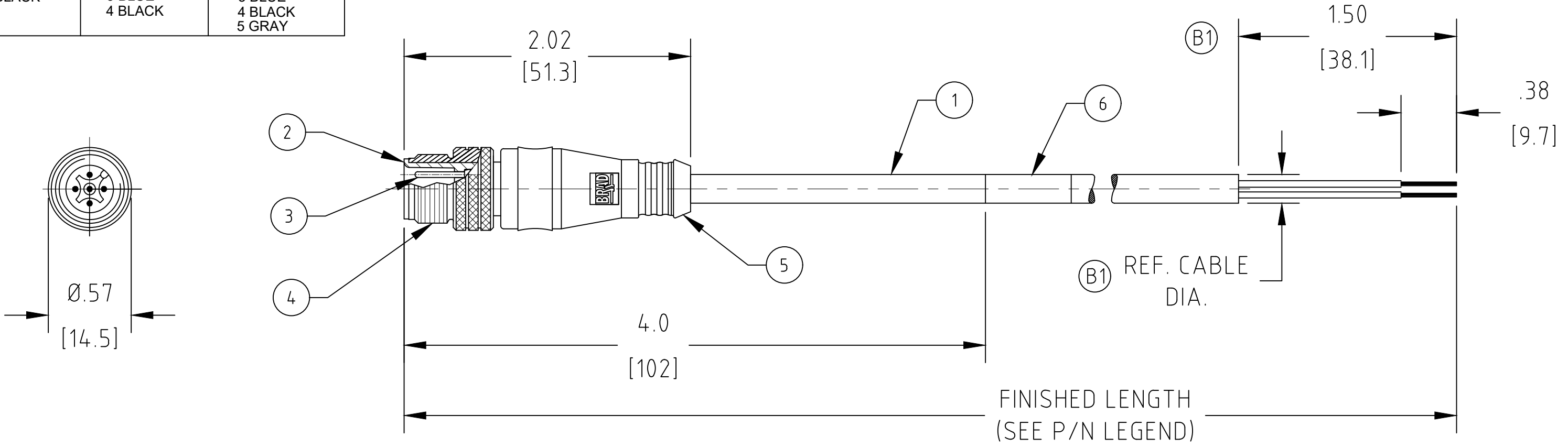
**PART NO. LEGEND**  
**803006A09M020**

POLES  
3,4,& 5

cable length  
M005 = 0.5 Meters  
M020 = 2 Meters  
M100 = 10 Meters

**CABLE LENGTH TOLERANCES**

<.3M [1FT]: +19mm-0 [+ .75in-0]  
.3 - .9M [1 - 3FT]: +44.5mm-0 [+1.75in-0]  
.9 - 1.8M [3 - 6FT]: +55.6mm-0 [+2.19in-0]  
1.8 - 3.7M [6 - 12FT]: +88.9mm-0 [+3.50in-0]  
3.7 - 7.3M [12 - 24FT]: +165.1mm-0 [+6.50in-0]  
7.3-14.6M [24 - 48FT]: +317.5mm-0 [+12.50in-0]  
14.6 - 30.5M [48-100FT]: +622.3mm-0 [+24.50in-0]  
OVER 30M [100FT] +2% OF FINISHED LENGTH



- NOTES:**
1. MATERIAL: AS NOTED
  2. FINISH: AS NOTED
  3. ELECTRICAL:  
VOLTAGE: 250V  
CURRENT: 4A
  4. TEMP RATING: -25°C TO +105°C
  5. PROTECTION: IP67 (WHEN MATED)
  6. COUPLING THREAD: M12 X 1.0
  7. UL RECOGNIZED FILE: E152210  
CSA CERTIFIED FILE: LR 6837
  8. ALL DIMS ARE FOR REFERENCE UNLESS TOLERANCED OR NOTED OTHERWISE

ITEM	DESCRIPTION	MATERIAL	FINISH
6	WRAP LABEL	VINYL	BLACK/YELLOW
5	OVERMOLD	PUR	YELLOW
4	COUPLING NUT	BRASS	NICKEL PLATED
3	CONTACT PIN	COPPER ALLOY	GOLD PLATED
2	INSERT, MALE, 5P	PUR	BLACK
1	CABLE, 22AWG	PVC JACKET	YELLOW

FUNCTIONAL SYMBOLS F=0 E=0 P=0	THIS DRAWING CONTAINS INFORMATION THAT IS PROPRIETARY TO MOLEX ELECTRONIC TECHNOLOGIES, LLC AND SHOULD NOT BE USED WITHOUT WRITTEN PERMISSION		 <b>3-5 POLE MA STR 22/AWG YELLOW PVC CABLE</b>	
	DIMENSION UNITS <b>INCH/MM</b>	SCALE <b>1:1</b>		
	GENERAL TOLERANCES (UNLESS SPECIFIED)		EC NO: 698871	<b>SD-120065-028</b> PSD 001 B1
	4 PLACES ±--- ±---	3 PLACES ±--- ±---	DRWN: RSTONE 2022/03/08	
DIVISIONAL SYMBOLS		CHK'D: ALEON01 2022/03/14	DOCUMENT NUMBER <b>SD-120065-028</b>	
2 PLACES ±--- ±---	1 PLACE ±--- ±---	APPR: BWOODMAN 2022/03/15		
0 PLACES ±--- ±---		INITIAL REVISION: DRWN: LSTEMMLE 2010/01/13	DOC TYPE/DOC PART/REVISION PSD 001 B1	
ANGULAR TOL ± --- °		APPR: NSTAUDIG 2010/01/25	SHEET NUMBER 1 OF 1	
DRAFT WHERE APPLICABLE MUST REMAIN WITHIN DIMENSIONS		THIRD ANGLE PROJECTION	DRAWING B-SIZE	
DOCUMENT STATUS P1		RELEASE DATE 2022/03/15 19:57:15	SERIES 120065	
MATERIAL NUMBER SEE P/N LEGEND		CUSTOMER GENERAL MARKET		