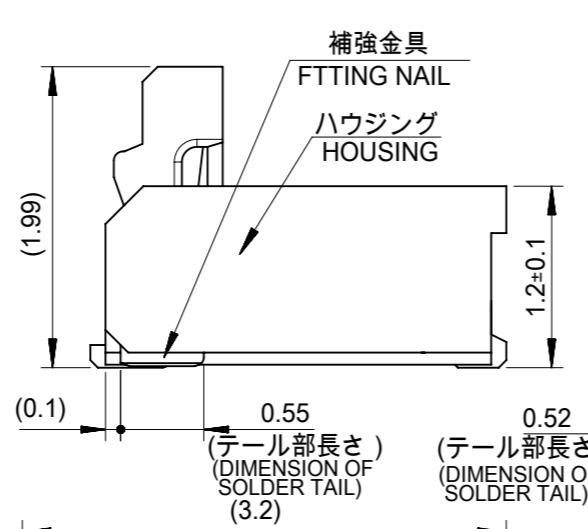
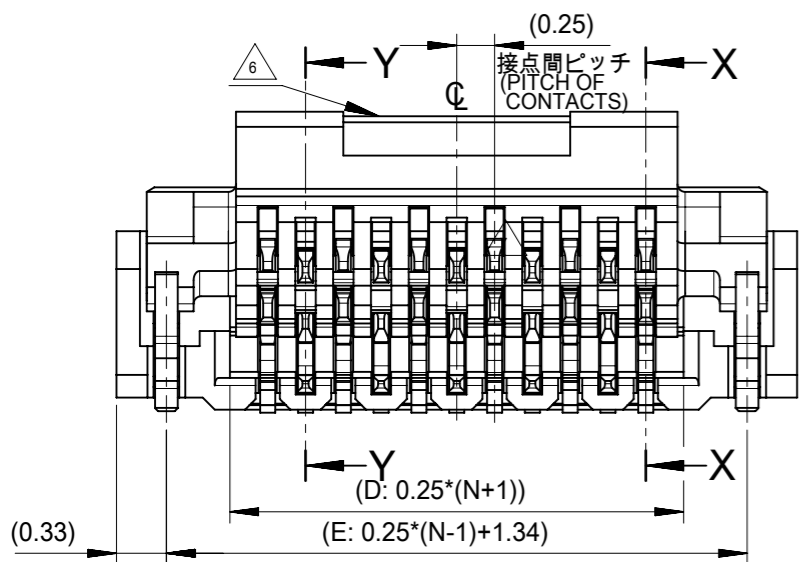
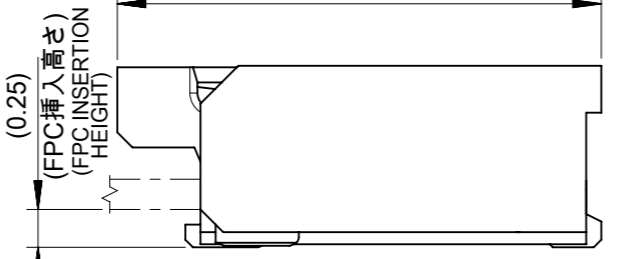


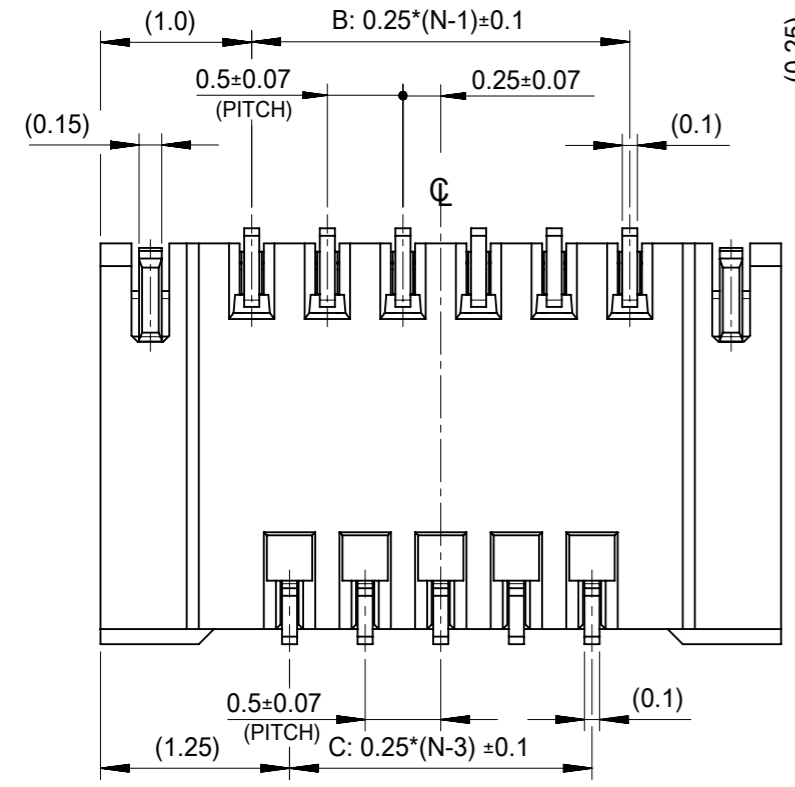
SECTION Y-Y



SECTION X-X



アクチュエータ閉じ位置  
ACTUATOR CLOSED POSITION



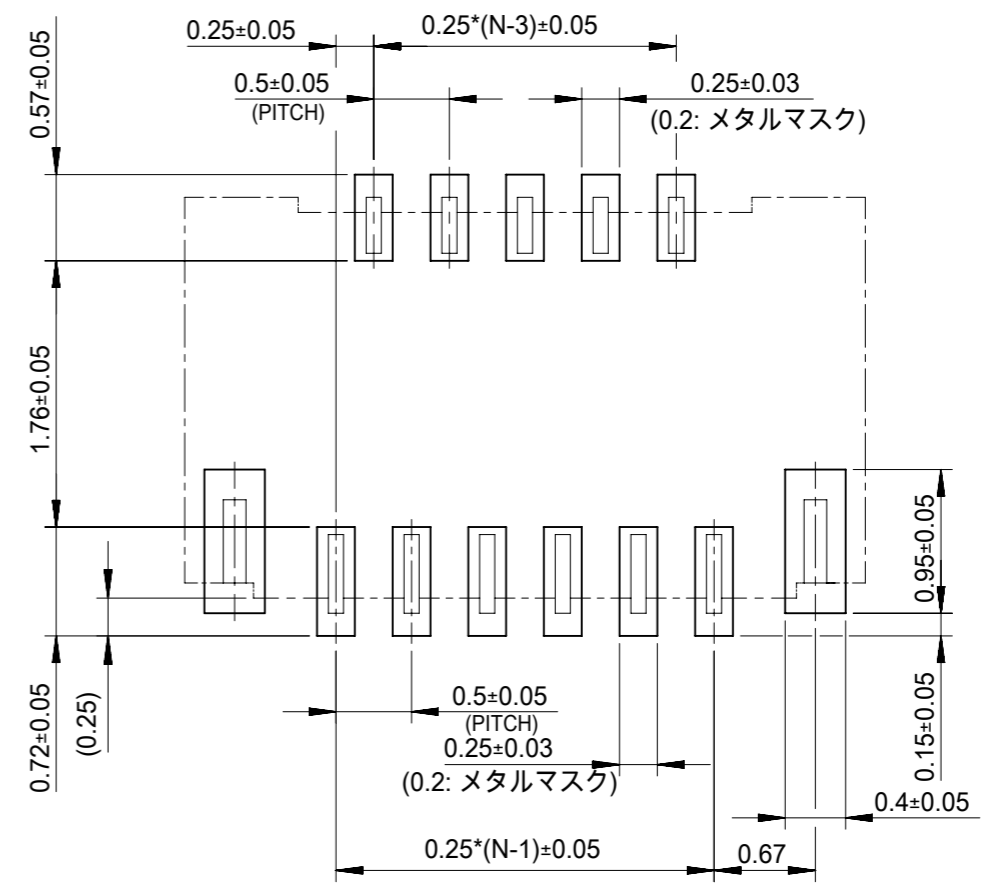
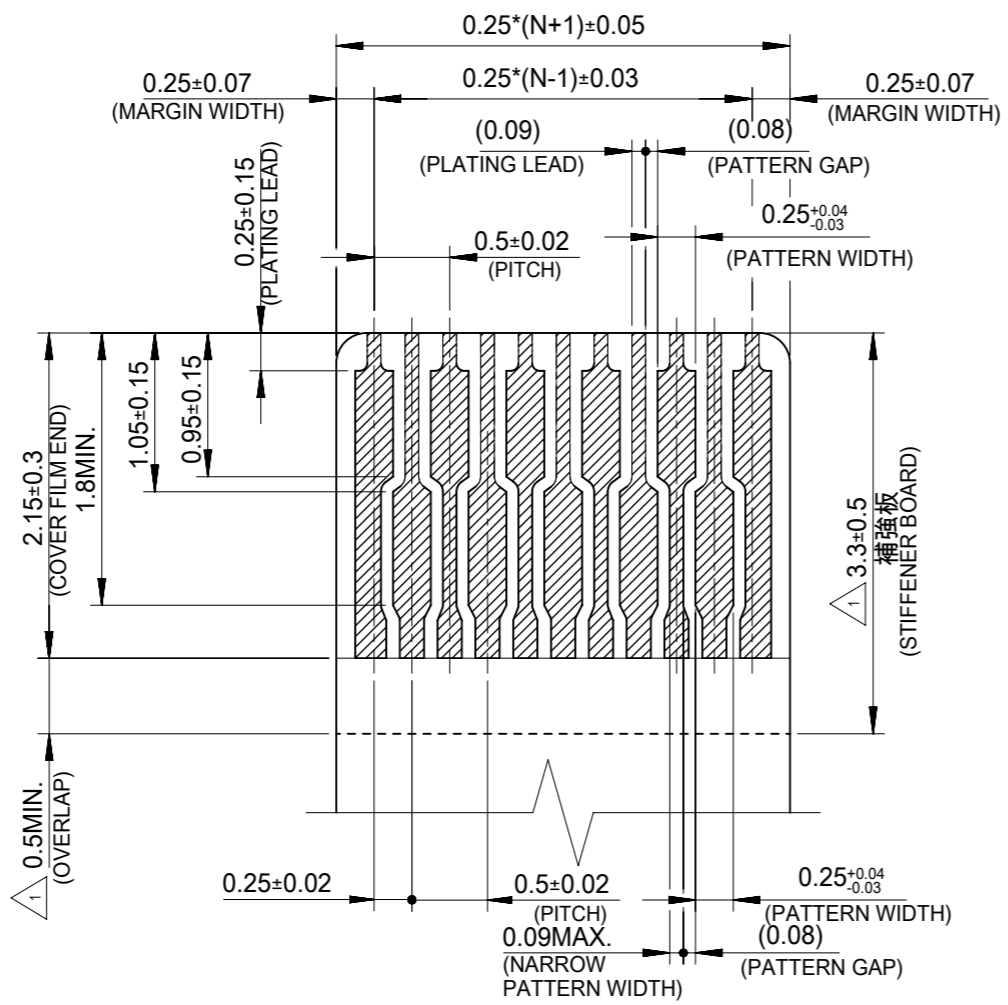
注記 NOTES

1. 使用材料 MATERIALS  
 ハウジング : 液晶ポリマー(UL94V-0、黒色)  
 アクチュエータ : ポリアミド樹脂(UL94V-0、ベージュ)  
 奇数端子 : リン青銅  
 偶数端子 : リン青銅  
 補強金具 : リン青銅  
 HOUSING : G.F. LCP (BLACK)  
 ACTUATOR : G.F. POLYAMIDE (BEIGE)  
 ODD TERMINAL : PHOSPHOR BRONZE  
 EVEN TERMINAL : PHOSPHOR BRONZE  
 FITTING NAIL : PHOSPHOR BRONZE
2. メッキ仕様 PLATING  
 端子 TERMINAL  
 テール部 : 金メッキ  
 接点部 : 金メッキ 0.1µm 以上  
 下地 : ニッケルメッキ 1.0 µm 以上  
 TAIL AREA : Gold PLATING  
 CONTACT AREA : Gold PLATING 0.1µm MINIMUM  
 UNDER PLATING : Nickel PLATING 1.0µm MINIMUM
- 金具 FITTING NAIL  
 全面 : スズメッキ 1.0 µm 以上  
 下地 : ニッケルメッキ 1.0 µm 以上  
 ALL OVER : Tin PLATING 1.0µm MINIMUM  
 UNDER PLATING : Nickel PLATING 1.0µm MINIMUM
- △3 端子、補強金具のコプラナリティーは0.1以下とする  
 COPLANALITY OF SOLDER TAILS AND FITTING NAILS : 0.1MAX.
4. 一般公差 : ±0.3  
 GENERAL TOLERANCES: ±0.3
5. ELV及びRoHS適合品  
 ELV AND RoHS COMPLIANT
- △6 ゲート部形状とする  
 本形状は極数により異なります  
 THIS SHAPE IS FOR GATE  
 IT DEPENDS ON THE NUMBER OF CIRCUITS

14.34	13.5	12.5	13	15	503300-5310	53
11.84	11	10	10.5	12.5	503300-4310	43
11.34	10.5	9.5	10	12	503300-4110	41
10.34	9.5	8.5	9	11	503300-3710	37
8.84	8	7	7.5	9.5	503300-3110	31
8.34	7.5	6.5	7	9	503300-2910	29
6.34	5.5	4.5	5	7	503300-2110	21
5.34	4.5	3.5	4	6	503300-1710	17
E	D	C	B	A	ORDER NO.	CIRCUITS
EMBOSSED TAPE PACKAGE						
CONNECTOR SERIES NO.						503300-**18

THIS DRAWING CONTAINS INFORMATION THAT IS PROPRIETARY TO MOLEX ELECTRONIC TECHNOLOGIES, LLC AND SHOULD NOT BE USED WITHOUT WRITTEN PERMISSION

DIMENSION UNITS	SCALE	CURRENT REV DESC:	
mm	20:1		
GENERAL TOLERANCES (UNLESS SPECIFIED)			
ANGULAR TOL	± 1.0 °		
4 PLACES	± 0.3	EC NO: 749229	
3 PLACES	± 0.3	DRWN: RAJAGN	2023/05/02
2 PLACES	± 0.3	CHK'D: HSHIMOMYAMA	2023/05/11
1 PLACE	± 0.3	APPR: YNAITO	2023/05/11
0 PLACES	± 0.3	INITIAL REVISION:	
DRAFT WHERE APPLICABLE MUST REMAIN WITHIN DIMENSIONS		DRWN: MNIITA	2010/08/23
THIRD ANGLE PROJECTION		APPR: SHOSHIKAWA	2010/08/27
DRAWING	SERIES	MATERIAL NUMBER	CUSTOMER
A3-SIZE	503300	SEE TABLE	GENERAL
DOCUMENT NUMBER		DOC TYPE	DOC PART
SD-503300-001		PSD	001
SHEET NUMBER		REVISION	
1 OF 2		F	



適合するFPC推奨寸法  
 APPLICABLE FPC  
 RECOMMENDED DIMENSION

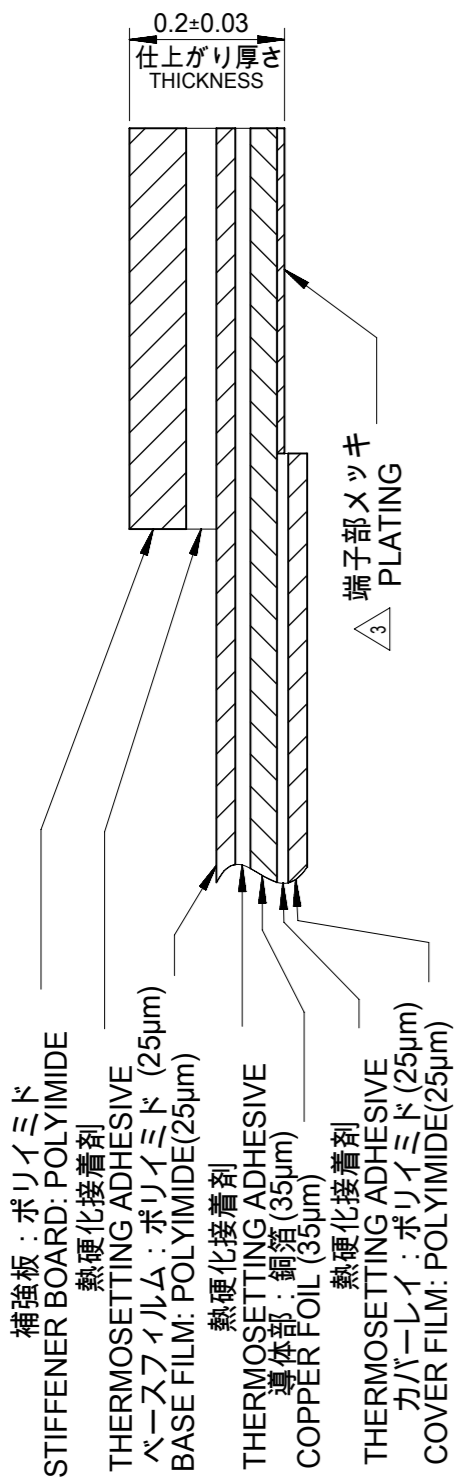
(端子部仕上げり厚さ : 0.2±0.03)  
 (THICKNESS: 0.2±0.03)

注記 NOTES

- 補強板長さが図面通り確保できない場合は、カバーレイと補強板のオーバーラップ寸法を0.5mm以上としてください  
 WHEN STIFFENER BOARD DIMENSION CAN NOT SECURE AS DRAWING, PLEASE GIVE THE OVERLAP SIZE OF COVER FILM AND STIFFENER BOARD AS 0.5mm MINIMUM
- 推奨ペースト厚 : 100µm  
 推奨マスク開口率 : 80%  
 RECOMMEND SCREEN THICKNESS : 100µm  
 RECOMMEND SCREEN OPEN RATIO : 80%

- FPCパターンのメッキ仕様は  
 金メッキ : 0.1µm以上  
 下地ニッケルメッキ : 2~6µm  
 FPC PATTERN PLATING  
 GOLD PLATING : 0.1µm MINIMUM  
 NICKEL UNDER PLATING : 2~6µm

- FPCについて(ABOUT FPC)  
 抜き方向は、導体側から補強板側を推奨します  
 補強板材質は、ポリイミドを推奨します  
 接着剤は熱硬化接着剤を推奨します  
 なお、接着剤の接点部への付着は導通不良の原因となりますので染み出しがないよう、お願いします  
 RECOMMENDED PUNCHER DIRECTION:  
 FROM CONDUCTOR SIDE TO STIFFENER BOARD SIDE  
 RECOMMENDED MATERIAL:  
 STIFFENER BOARD: POLYIMIDE  
 BONDING AGENT: THERMOSETTING AGENT  
 PLEASE PUT APPROPRIATE AMOUNT OF ADHESIVE ON THE CONTACT AREA BECAUSE THE EXTRA ADHESIVE MAY CAUSE THE DEFECT IN ELECTRICAL CONTINUITY



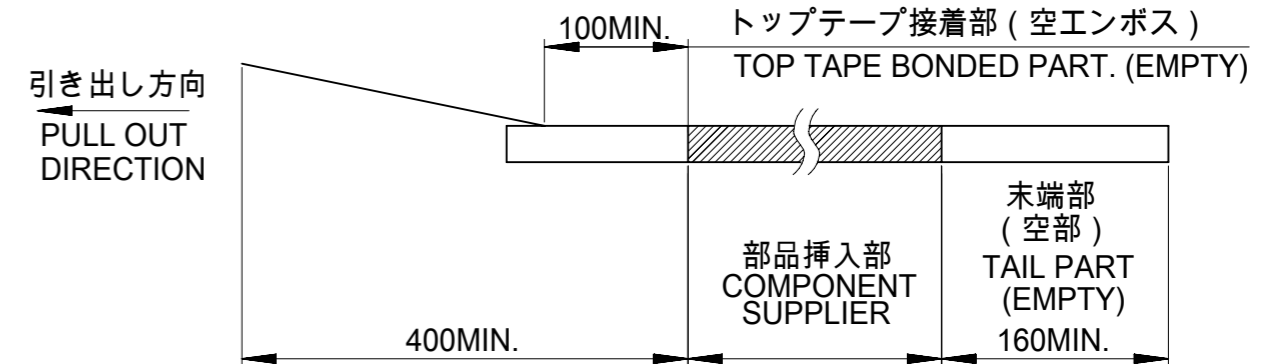
FPC 構成材料例

EXAMPLE OF FPC COMPOSITION MATERIAL

THIS DRAWING CONTAINS INFORMATION THAT IS PROPRIETARY TO MOLEX ELECTRONIC TECHNOLOGIES, LLC AND SHOULD NOT BE USED WITHOUT WRITTEN PERMISSION													
DIMENSION UNITS		SCALE		CURRENT REV DESC.									
mm		20:1		 0.25 PITCH FPC CONN. E/O HGT=1.2 UPR CONTACT TYPE LOW-HALOGEN PRODUCT CUSTOMER DRAWING									
GENERAL TOLERANCES (UNLESS SPECIFIED)													
ANGULAR TOL ± 1.0°													
4 PLACES ± 0.3		EC NO: 749229								DRWN: RAJAGN		2023/05/02	
3 PLACES ± 0.3		CHK'D: HSHIMOYAMA								APPR: YNAITO		2023/05/11	
2 PLACES ± 0.3		INITIAL REVISION:		DRWN: MNIITA		2010/08/23							
1 PLACE ± 0.3		APPR: SHOSHIKAWA		2010/08/27		DOCUMENT NUMBER		DOC TYPE DOC PART REVISION					
0 PLACES ± 0.3		DRAFT WHERE APPLICABLE MUST REMAIN WITHIN DIMENSIONS		THIRD ANGLE PROJECTION		DRAWING		SERIES					
DRAFT WHERE APPLICABLE MUST REMAIN WITHIN DIMENSIONS		THIRD ANGLE PROJECTION		DRAWING		SERIES		MATERIAL NUMBER					
DRAFT WHERE APPLICABLE MUST REMAIN WITHIN DIMENSIONS		THIRD ANGLE PROJECTION		DRAWING		SERIES		CUSTOMER					
DRAFT WHERE APPLICABLE MUST REMAIN WITHIN DIMENSIONS		THIRD ANGLE PROJECTION		DRAWING		SERIES		SHEET NUMBER					
DRAFT WHERE APPLICABLE MUST REMAIN WITHIN DIMENSIONS		THIRD ANGLE PROJECTION		DRAWING		SERIES		SEE SHEET 1					
DRAFT WHERE APPLICABLE MUST REMAIN WITHIN DIMENSIONS		THIRD ANGLE PROJECTION		DRAWING		SERIES		GENERAL					
DRAFT WHERE APPLICABLE MUST REMAIN WITHIN DIMENSIONS		THIRD ANGLE PROJECTION		DRAWING		SERIES		2 OF 2					

注記 NOTES

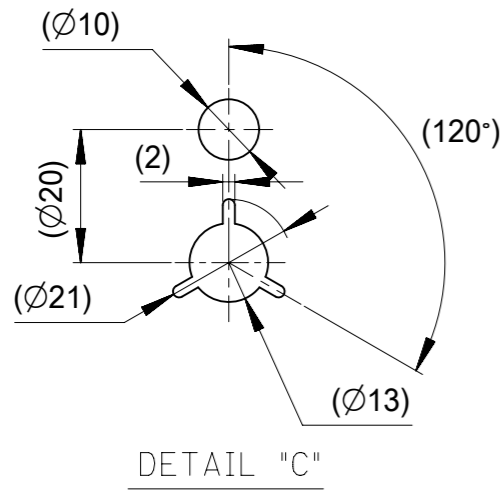
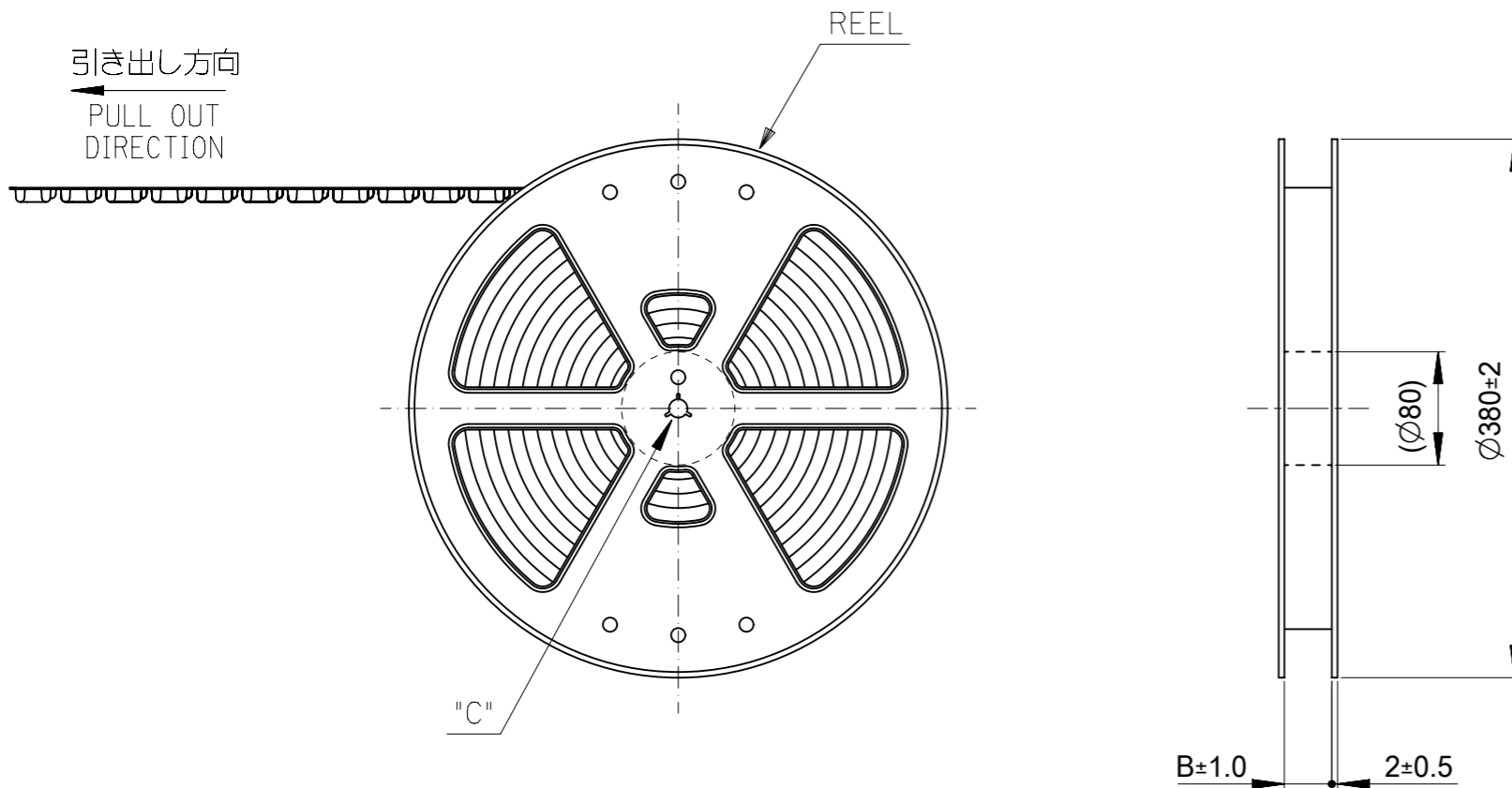
- 1. 製品詳細寸法については図面 SD-503300-001 を参照下さい。  
RE DETAILED DIMENSION, SEE SD-503300-001
- 2. 梱包数量 : 3000 個 / リール  
NUMBER OF CONNECTORS : 3000 PCS/REEL
- 3. リードテープ長さ LEAD TAPE LENGTH



4. 材料 MATERIAL

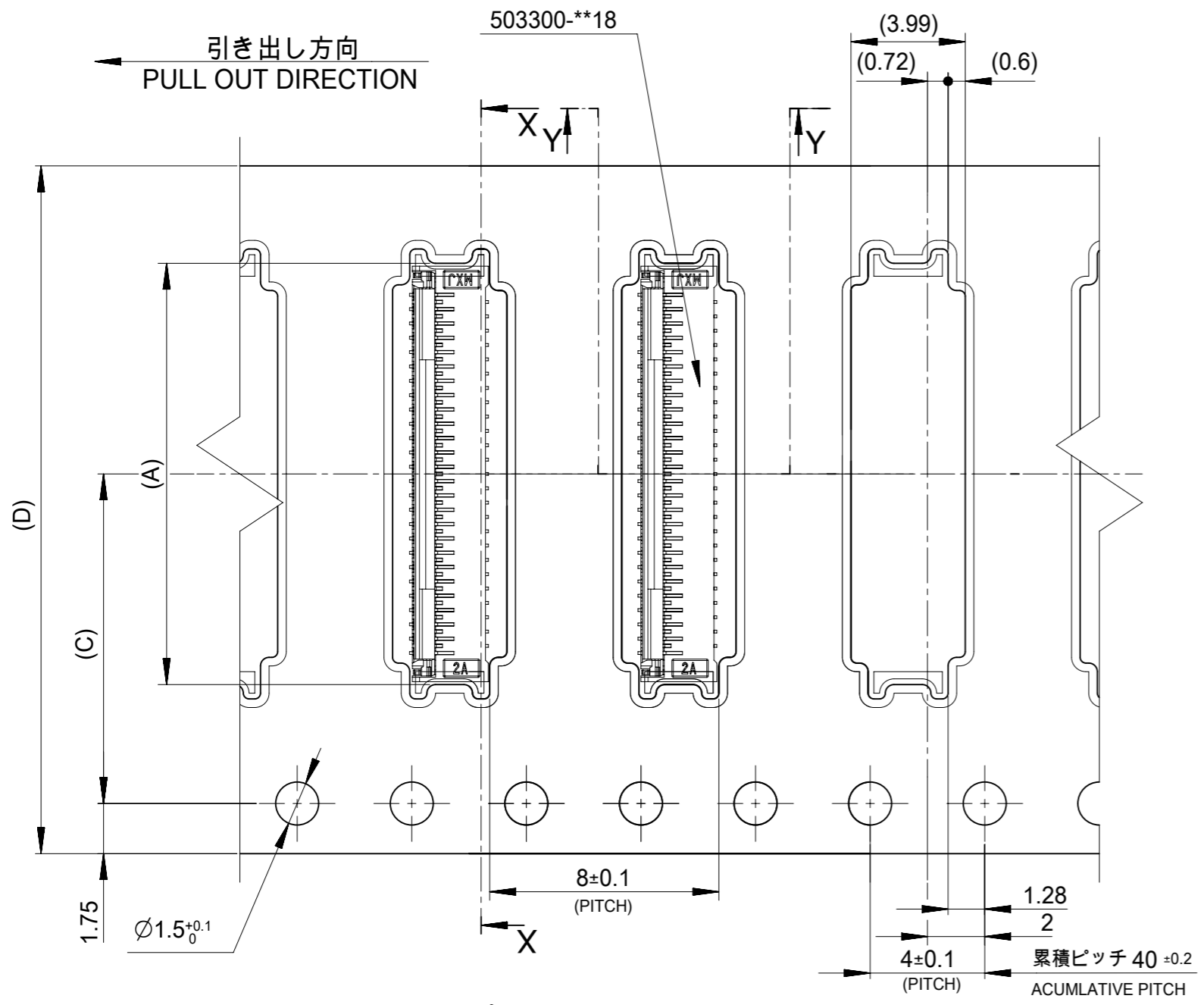
- キャリアテープ (CARRIER TAPE) : ポリスチレン (POLYSTYRENE)
- トップテープ (TOP TAPE) : PET, PE, PEF
- リール (REEL) : ポリスチレン (PS) <リサイクル材を含む>  
POLYSTYRENE (PS) <RECYCLE MATERIAL CONTAINED>

- 5. カバーテープの剥離強度については、IEC60286-3 に準拠  
COVER TAPE PEEL FORCE IS DEFINED BY IEC60286-3.

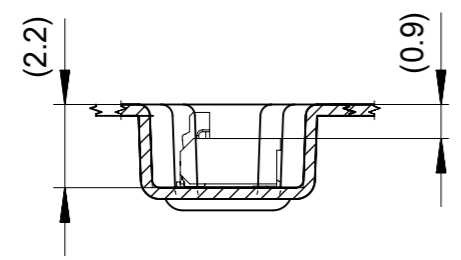


CONNECTOR SERIES NO. 503300-\*\*10

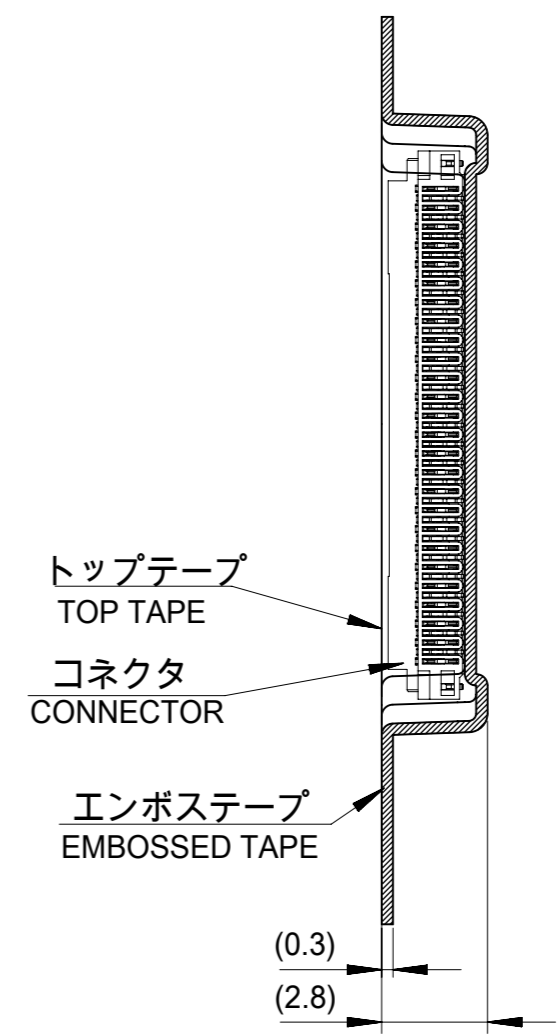
THIS DRAWING CONTAINS INFORMATION THAT IS PROPRIETARY TO MOLEX ELECTRONIC TECHNOLOGIES, LLC AND SHOULD NOT BE USED WITHOUT WRITTEN PERMISSION		CURRENT REV DESC:		<b>molex</b>	
DIMENSION UNITS	SCALE	EC NO: 749229			
mm	1:1	DRWN: RAJAGN 2023/05/02		0.25MM FPC CONN. E/O	
GENERAL TOLERANCES (UNLESS SPECIFIED)		CHK'D: HSHIMOYAMA 2023/05/11		H=1.2 HSG ASSY UPR EMBOSSED TAPE PACKAGE	
ANGULAR TOL ± 1.0°		APPR: YNAITO 2023/05/11		PRODUCT CUSTOMER DRAWING	
10 UNDER ±0.2		INITIAL REVISION:		DOCUMENT NUMBER	
10 OVER 30 UNDER ±0.25		DRWN: MNIITA 2010/08/24		SD-503300-002	
30 OVER ±0.3		APPR: SHOSHIKAWA 2010/08/27		DOC TYPE DOC PART REVISION	
ANGULAR ±1°		DRAFT WHERE APPLICABLE MUST REMAIN WITHIN DIMENSIONS		PSD 001 D	
DRAFT WHERE APPLICABLE MUST REMAIN WITHIN DIMENSIONS		THIRD ANGLE PROJECTION	DRAWING	SERIES	MATERIAL NUMBER
			A3-SIZE	503300	CUSTOMER
					GENERAL
					SHEET NUMBER
					1 OF 3



16, 24mm幅キャリアテープ  
16, 24mm WIDTH CARRIER TAPE



SECTION Y-Y



SECTION X-X

24	11.5	25.4	13.7	503300-4310	43
			13.2	503300-4110	41
			12.2	503300-3710	37
			10.7	503300-3110	31
			10.2	503300-2910	29
16	7.5	17.4	8.2	503300-2110	21
			7.2	503300-1710	17
(D) キャリアテープ幅 CARRIER TAPE WIDTH	(C)	B	(A)	オーダー番号 ORDER NO.	極数 CIRCUITS
CONNECTOR SERIES NO.				503300-**10	

THIS DRAWING CONTAINS INFORMATION THAT IS PROPRIETARY TO MOLEX ELECTRONIC TECHNOLOGIES, LLC AND SHOULD NOT BE USED WITHOUT WRITTEN PERMISSION

DIMENSION UNITS: mm		SCALE: 1:1		CURRENT REV DESC:	
GENERAL TOLERANCES (UNLESS SPECIFIED)		ANGULAR TOL ± 1.0°		EC NO: 749229	
10 UNDER	±0.2	4 PLACES	± 0.2	DRWN: RAJAGN	2023/05/02
10 OVER 30 UNDER	±0.25	3 PLACES	± 0.25	CHK'D: HSHIMOMYAMA	2023/05/11
30 OVER	±0.3	2 PLACES	± 0.3	APPR: YNAITO	2023/05/11
ANGULAR	±1°	1 PLACE	±	INITIAL REVISION:	
DRAFT WHERE APPLICABLE MUST REMAIN WITHIN DIMENSIONS		0 PLACES	±	DRWN: MNIITA	2010/08/24
		THIRD ANGLE PROJECTION		APPR: SHOSHIKAWA	2010/08/27
DOCUMENT STATUS: P1		RELEASE DATE: 2023/05/11 10:55:08		DRAWING: A3-SIZE	
				SERIES: 503300	
				MATERIAL NUMBER: GENERAL	
				CUSTOMER: GENERAL	
				SHEET NUMBER: 2 OF 3	

**molex**

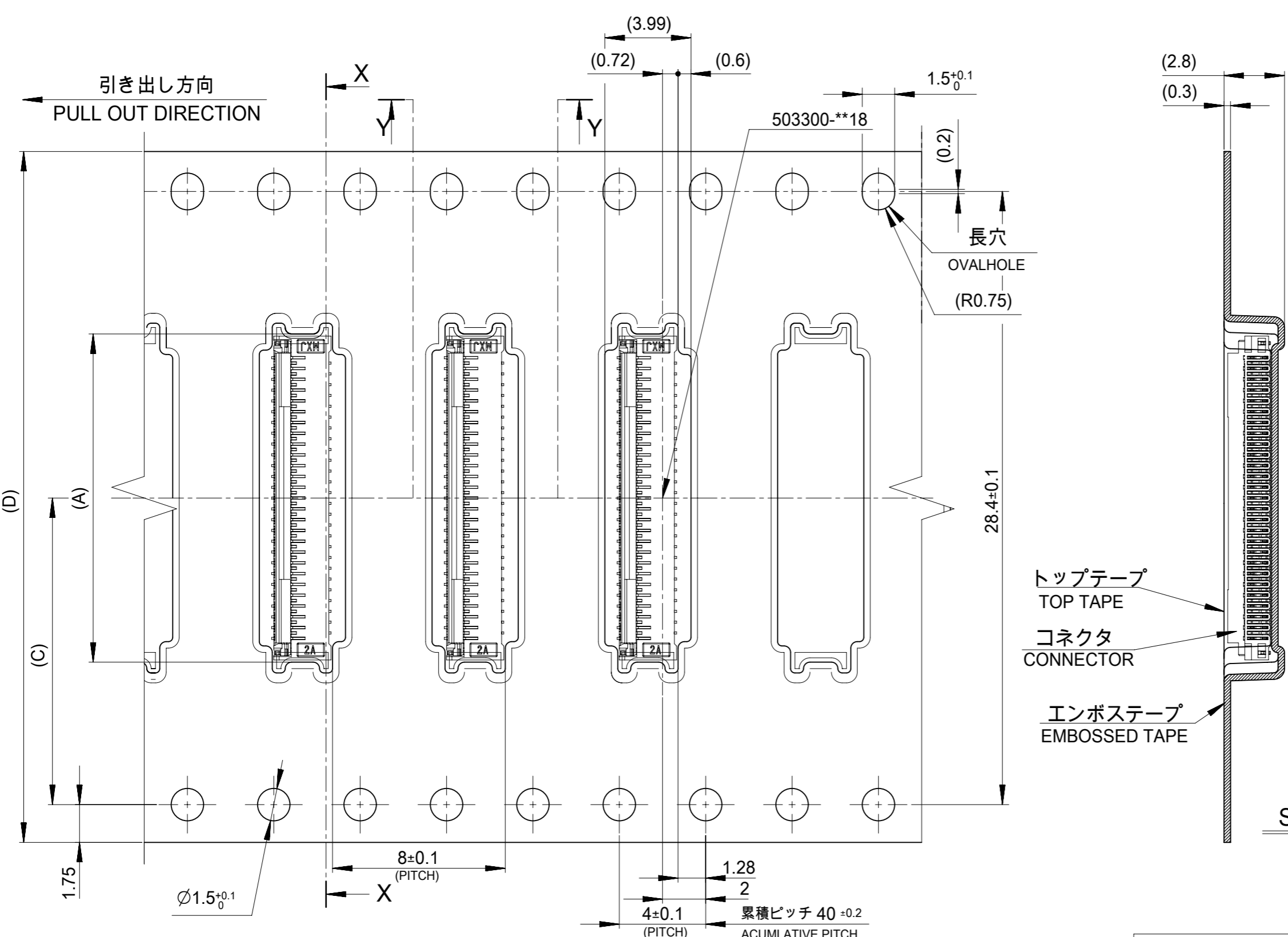
0.25MM FPC CONN. E/O  
H=1.2 HSG ASSY UPR EMBOSSED TAPE PACKAGE

PRODUCT CUSTOMER DRAWING

DOCUMENT NUMBER: SD-503300-002 | DOC TYPE: PSD | DOC PART: 001 | REVISION: D

10 9 8 7 6 5 4 3 2 1

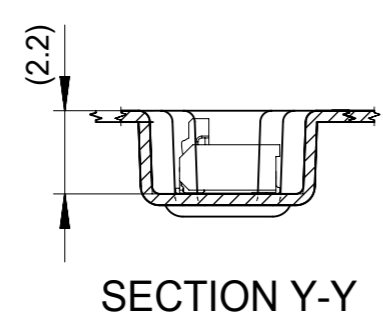
F  
E  
D  
C  
B  
A



トップテープ  
TOP TAPE  
コネクタ  
CONNECTOR  
エンボステープ  
EMBOSSSED TAPE

SECTION X-X

32mm幅キャリアテープ  
32mm WIDTH CARRIER TAPE

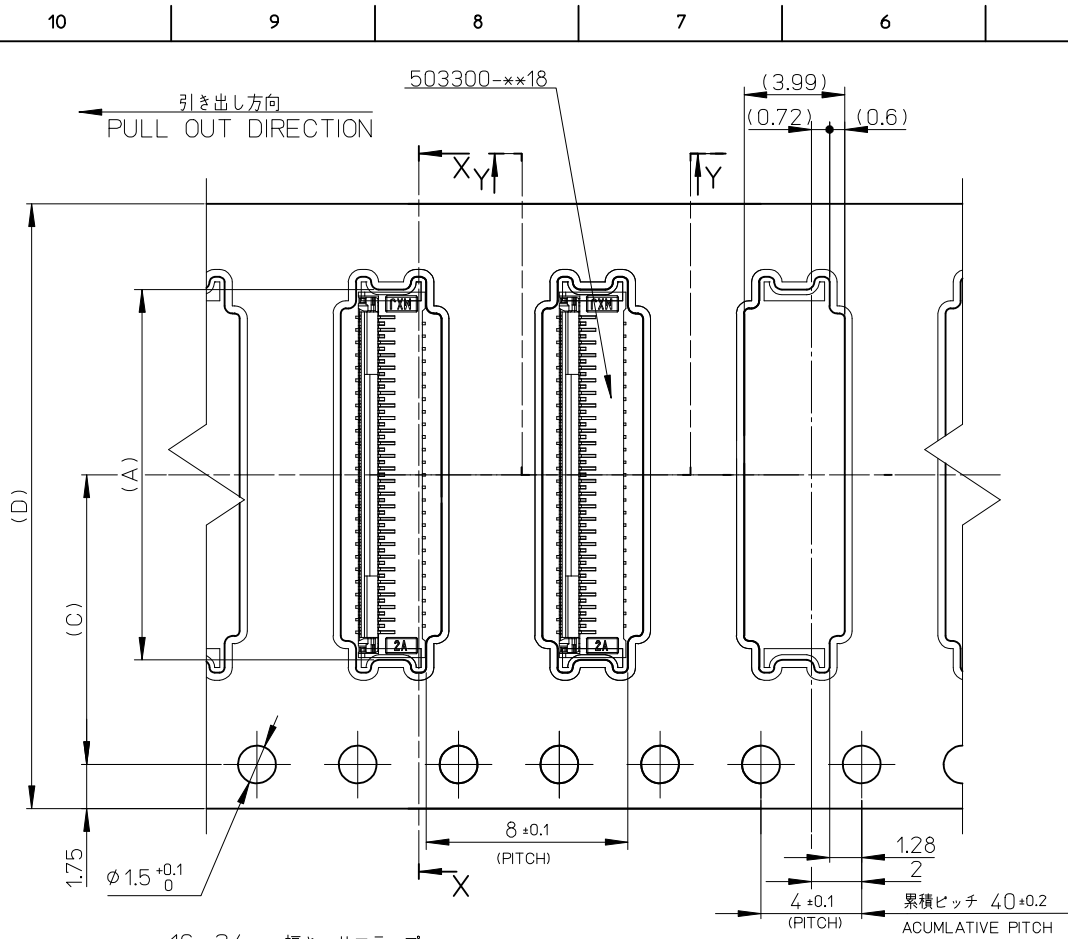


SECTION Y-Y

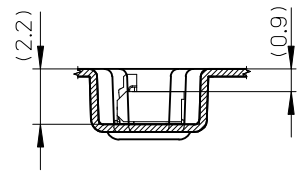
32	14.2	33.4	15.2	503300-5310	53
(D) キャリアテープ幅 CARRIER TAPE WIDTH			(C)	B	(A)
MODEL NO.			503300-**10		
製品番号 MATERIAL NO.			極数 CKT.		

THIS DRAWING CONTAINS INFORMATION THAT IS PROPRIETARY TO MOLEX ELECTRONIC TECHNOLOGIES, LLC AND SHOULD NOT BE USED WITHOUT WRITTEN PERMISSION					
DIMENSION UNITS		SCALE		CURRENT REV DESC:	
mm		1:1			
GENERAL TOLERANCES (UNLESS SPECIFIED)					
ANGULAR TOL ± 1.0°					
4 PLACES ± 0.2		3 PLACES ± 0.25		2 PLACES ± 0.3	
1 PLACE ±		0 PLACES ±			
DRAFT WHERE APPLICABLE MUST REMAIN WITHIN DIMENSIONS					
DRAFT WHERE APPLICABLE MUST REMAIN WITHIN DIMENSIONS		THIRD ANGLE PROJECTION		DRAWING	
		A3-SIZE		SERIES	
		503300		MATERIAL NUMBER	
		CUSTOMER		SHEET NUMBER	
		GENERAL		3 OF 3	

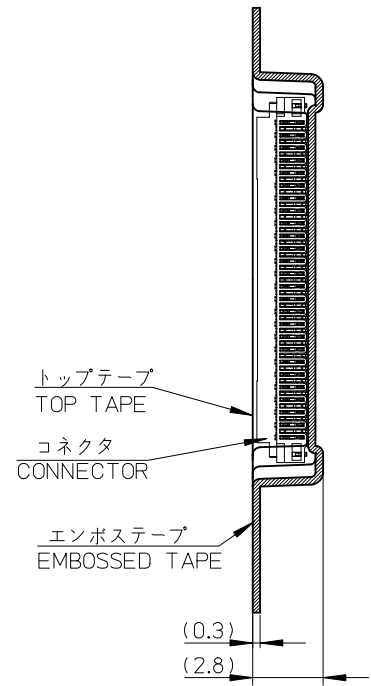
GENERAL TOLERANCES (UNLESS SPECIFIED)	
10 UNDER	±0.2
10 OVER 30 UNDER	±0.25
30 OVER	±0.3
ANGULAR	±1°
DRAFT WHERE APPLICABLE MUST REMAIN WITHIN DIMENSIONS	



16, 24mm幅キャリアテープ  
16, 24mm WIDTH CARRIER TAPE



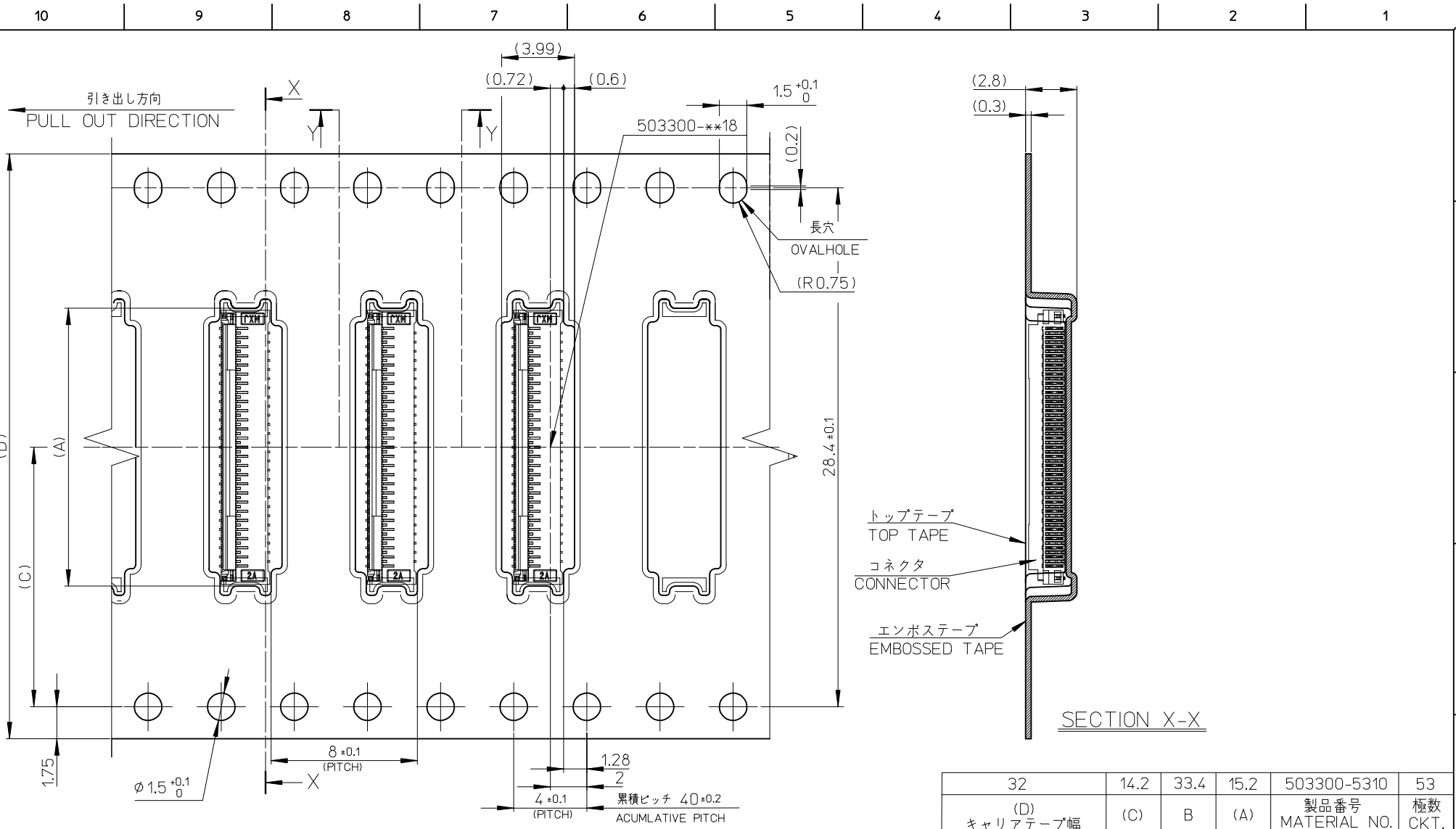
SECTION Y-Y



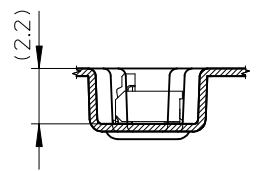
SECTION X-X

24	11.5	25.4	13.7	503300-4310	43
			13.2	503300-4110	41
			12.2	503300-3710	37
			10.7	503300-3110	31
			10.2	503300-2910	29
			8.2	503300-2110	21
(D) キャリアテープ幅 CARRIER TAPE WIDTH	(C)	B	(A)	オーダー番号 ORDER NO.	極数 CIRCUITS
			CONNECTOR SERIES NO.   503300-**10		

REVISED EC NO: J2014-1201 DRWN: TMORISHITA 2014/01/29 CHKD: KTAHASHI 2014/01/29 APPR: YNOGAWA 2014/02/07	GENERAL TOLERANCES (UNLESS SPECIFIED)		DIMENSION STYLE MM ONLY		SCALE ---		DESIGN UNITS METRIC		THIRD ANGLE PROJECTION	
	10 UNDER	± 0.2	DRAWN BY MNIITA	DATE 2010/08/24	TITLE 0.25MM FPC CONN. E/O H=1.2 HSG ASSY UPR EMBOSSD TAPE PACKAGE					
	10 OVER 30 UNDER	± 0.25	CHECKED BY SHOSHIKAWA	DATE 2010/08/24						
	30 OVER	± 0.3	APPROVED BY SHOSHIKAWA	DATE 2010/08/27						
	ANGULAR	± 1 °	MATERIAL NO. SEE CHART		DOCUMENT NO. SD-503300-002		SHEET NO. 2 OF 3			
DRAFT WHERE APPLICABLE MUST REMAIN WITHIN DIMENSIONS		THIS DRAWING CONTAINS INFORMATION THAT IS PROPRIETARY TO MOLEX INCORPORATED AND SHOULD NOT BE USED WITHOUT WRITTEN PERMISSION								



32mm幅キャリアテープ  
32mm WIDTH CARRIER TAPE



SECTION Y-Y

32	14.2	33.4	15.2	503300-5310	53
(D) キャリアテープ幅 CARRIER TAPE WIDTH	(C)	B	(A)	製品番号 MATERIAL NO.	極数 CKT.
MODEL NO.				503300-**10	
DIMENSION STYLE MM ONLY		SCALE 1:1	DESIGN UNITS METRIC		THIRD ANGLE PROJECTION

REVISED EC NO: J2014-1201 DRWN: TMORISHITA 2014/01/29 CHKD: TAKAHASHI 2014/01/29 APPR: YNOGAWA 2014/02/07	GENERAL TOLERANCES (UNLESS SPECIFIED)	
	10 UNDER	±0.2
	10 OVER 30 UNDER	±0.25
	30 OVER	±0.3
ANGULAR	±1 °	
DRAFT WHERE APPLICABLE MUST REMAIN WITHIN DIMENSIONS		

DRAWN BY MNIITA	DATE 2012/01/05	TITLE 0.25MM FPC CONN. E/O H=1.2 HSG ASSY UPR EMBOSSED TAPE PACKAGE
CHECKED BY SHOSHIKAWA	DATE 2012/01/05	<b>molex</b>
APPROVED BY SHOSHIKAWA	DATE 2012/01/05	
MATERIAL NO. SEE CHART	DOCUMENT NO. SD-503300-002	SHEET NO. 3 OF 3
THIS DRAWING CONTAINS INFORMATION THAT IS PROPRIETARY TO MOLEX INCORPORATED AND SHOULD NOT BE USED WITHOUT WRITTEN PERMISSION		