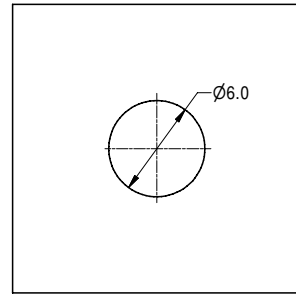
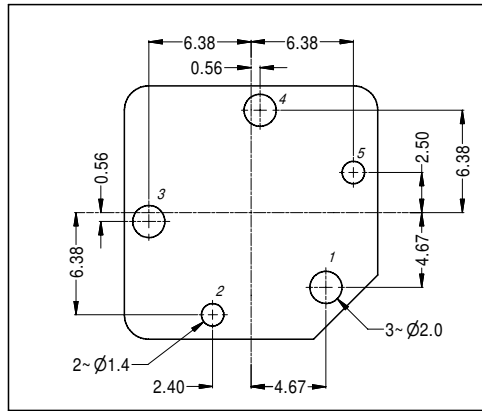
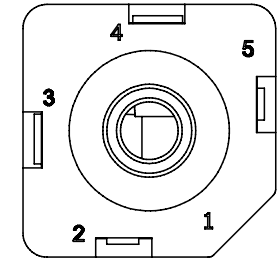
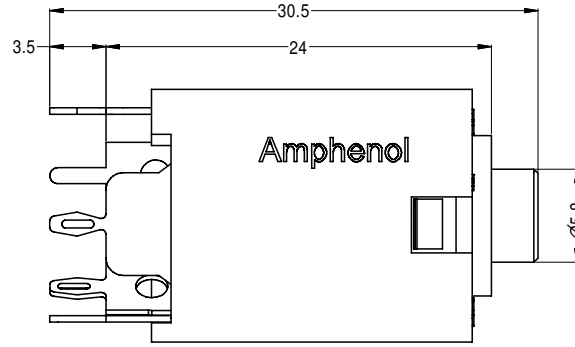
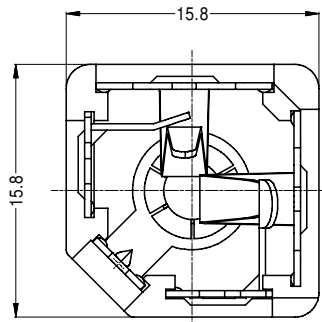


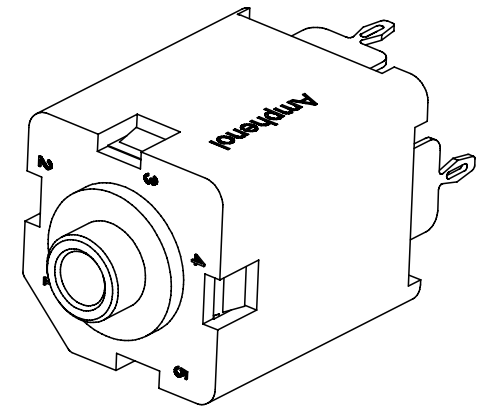
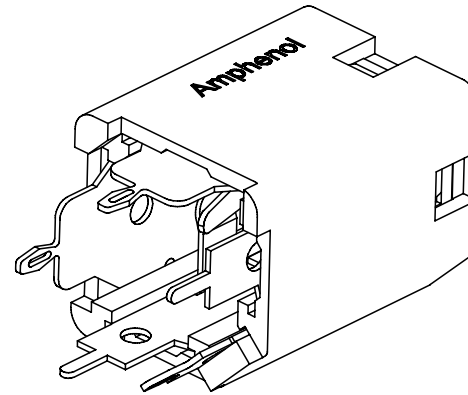
LEGEND \diamond = KEY PRODUCT CHARACTERISTICS



REVISION HISTORY				
REV	DESCRIPTION	DATE	BY	CHG/No
0	FIRST ISSUE	30/10/08	M.H	8798



PANEL CUTOUT



PCB LAYOUT
(CONNECTOR SIDE)

PART NUMBER	ACJM-NV35-2	ACJM-NV35-2S	ACJS-NV35-3	ACJS-NV35-3S	ACJS-NV35-5
SCHMATIC					

UNLESS OTHERWISE SPECIFIED TOLERANCE TO BE		THIS DOCUMENT IS THE PROPERTY OF AMPHENOL AUSTRALIA PTY. LTD. NO PART THEREOF MAY BE REPRODUCED AND USED WITHOUT THE PRIOR WRITTEN CONSENT OF THE OWNER				Amphenol Amphenol Australia Pty. Ltd, 2 Fiveways Blvd, Keysborough, VIC 3173							
LINEAR	ANGULAR	MATERIAL: REFER TO COMPONENTS	DRN: B.Z	DATE: 25/04/08	TITLE: 3.5mm JACK VERTICAL CUSTOMER DRAWING	PART NO: SEE CHART							
X ± 0.5	X' ± 1	BREAK ALL SHARP EDGES AND REMOVE ALL BURRS	CKD: M.H	DATE: 29/10/08	DO NOT SCALE	FINISH: REFER TO COMPONENTS	APPD: P.M	DATE: 29/10/08	SCALE: 3:1	SIZE: A3	CAD FILE: 55010544000110	DRAWING NO: 55010544-000-5	SHEET: 1/5
XXX ± 0.1	XXX' ± 30'	DO NOT SCALE	FINISH: REFER TO COMPONENTS	APPD: P.M	DATE: 29/10/08	SCALE: 3:1	SIZE: A3	CAD FILE: 55010544000110	DRAWING NO: 55010544-000-5	SHEET: 1/5			