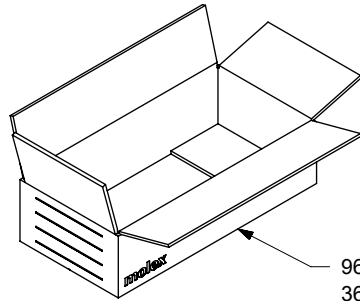


TPA CIRCUIT SIZE	PART NUMBER	PARTS PER BAG/CARTON (DU)	POLYBAGS PER CARTON
1	1727090*01	5600	1
2	1727090*02	4400	1
3	1727090*03	3200	1
4	1727090*04	2400	1
5	1727090*05	2000	1
6	1727090*06	1600	1
7	1727090*07	1600	1
8	1727090*08	1500	1
9	1727090*09	1300	1
10	1727090*10	1200	1
11	1727090*11	1100	1
12	1727090*12	1000	1



967130003  
POLYBAG, 300 X 500 FLAT  
QTY: (1)



967070017 OR 885960361 (EQUIVALENT)  
364 X 176 X 84 CARTON  
QTY: (1)

PACKAGING PROCEDURE:

1. PREPARE CARTON BY FOLDING AND TAPING BOTTOM FLAPS OF CARTON WITH 2 INCH WIDE TRANSPARENT PACKAGING TAPE. TAPE SHOULD EXTEND UP SIDES OF CARTON AT LEAST 76 MM (3 INCHES).
2. ADD PARTS TO ZIP LOCK POLYBAG PER PRESCRIBED QUANTITY IN CHART THEN SEAL ZIP LOCK.
3. PLACE FILLED POLYBAG INTO CARTON WITH SIDE FACING BOTTOM OF CARTON. TOP OF POLYBAG MAY BE FOLDED OVER FOR EASE OF PLACEMENT INTO CARTON.
4. EXCESS SPACE IN THE CARTON IF PRESENT SHOULD BE FILLED WITH FOAM SHEET OR BUBBLE WRAP.
5. CLOSE TOP FLAPS OF CARTON AND TAPE. EXTEND TAPE DOWN SIDES OF CARTON AT LEAST 76 MM (3 INCHES).
6. ADD LABELS TO CARTONS AS REQUIRED.

<b>SYMBOLS</b> ▽ = 0 ▽ = 0 ▽ = 0 ▽ = 0 ▽ = 0 ▽ = 0 ▽ = 0 ▽ = 0 ▽ = 0 ▽ = 0	THIS DRAWING CONTAINS INFORMATION THAT IS PROPRIETARY TO MOLEX ELECTRONIC TECHNOLOGIES, LLC AND SHOULD NOT BE USED WITHOUT WRITTEN PERMISSION		CURRENT REV DESC: NOTE 8 REMOVED					
	DIMENSION UNITS	SCALE	EC NO: 178954					
	MM/INCH	1:10	DRWN: SGANGADHARDO 2018/07/26		PACKAGING SPECIFICATION MINI-FIT TPA2 TPA SERIES 172709			
	GENERAL TOLERANCES (UNLESS SPECIFIED)		CHK'D: SGANGADHARDO 2018/07/27					
	ANGULAR TOL	± °	APPR: ISHWARG 2018/07/27		PACKAGING DESIGN DRAWING			
	4 PLACES	±	INITIAL REVISION:					
	3 PLACES	±	DRWN: TGREGORI 2015/06/16		DOCUMENT NUMBER	DOC TYPE	DOC PART	REVISION
	2 PLACES	±	APPR: RHODGE 2015/06/16		PK-172709-0000	PDD	000	D3
	1 PLACE	±	DRAFT WHERE APPLICABLE MUST REMAIN WITHIN DIMENSIONS		MATERIAL NUMBER	CUSTOMER	SHEET NUMBER	
	0 PLACES	±	THIRD ANGLE PROJECTION	DRAWING	SERIES	SEE TABLE	GENERAL MARKET	1 OF 1
▽ = 0			A-SIZE	172709				

DOCUMENT STATUS	P1	RELEASE DATE	2018/07/27	11:32:00
-----------------	----	--------------	------------	----------

FORMAT: master-db-prod-A  
REVISION: H  
DATE: 2018/01/18