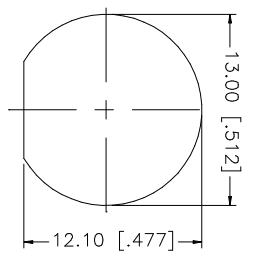
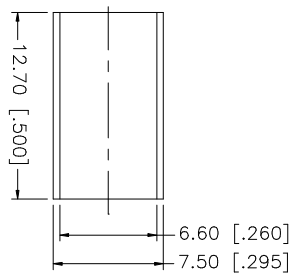
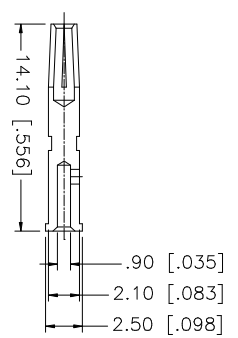
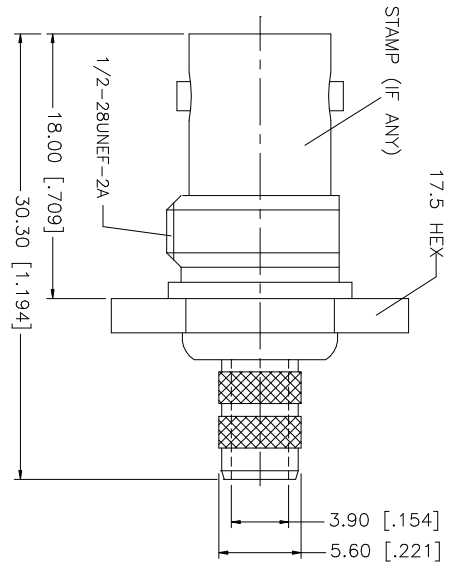
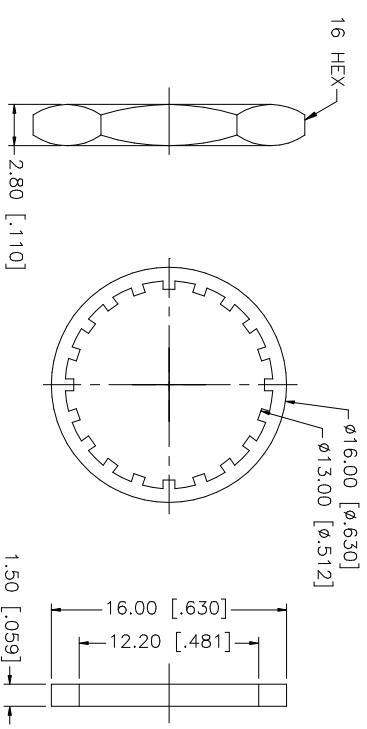
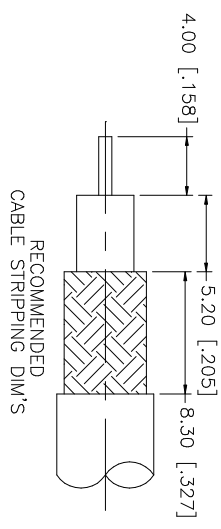


REV.	DATE	DESCRIPTION
NC	06/31/06	INITIAL RELEASE



RECOMMENDED MOUNTING HOLE

CRIMP NOTES:

1. CRIMPED FERRULE HEX. CRIMP SIZE .255"
2. CRIMPED CONTACT PIN HEX. CRIMP SIZE .068"
3. MAX. PANEL THICKNESS = 3.5mm

DESCRIPTION	MATERIAL	FINISH	QTY	DO NOT SCALE DRAWING	CAD FILE	DWG. NO.	REV.	NC	SIZE	A	SCALE	NA	
8 FERRULE	COPPER	NICKEL	1	UNLESS OTHERWISE SPECIFIED DIMENSIONS ARE IN MILLIMETERS. DIMENSIONS IN [] ARE IN INCHES AND FOR CUSTOMER REFERENCE ONLY. UNLESS OTHERWISE SPECIFIED TOLERANCES FOR MILLIMETERS ARE: 0.5 - 8mm ± 0.20mm 8 - 30mm ± 0.40mm 30 - 120mm ± 0.50mm UNLESS OTHERWISE SPECIFIED TOLERANCES FOR INCHES ARE: .020 - .315 = ± 0.007" .315 - 1.180 = ± 0.015" 1.180 - 4.724 = ± 0.020"	C:/112/112630.DWG	112630.DWG	1	NC	A	NA			
7 HEX NUT	BRASS	NICKEL	1		APPROVALS	DATE	Amphenol Connex BNC BULKHEAD CRIMP JACK (20 AWG CENTER CONTACT) 112630						
6 LOCK WASHER	BRASS	NICKEL	1		DRAWN	G.R.S.							06/31/06
5 GASKET	RUBBER	RED	1		CHECKED								
4 CONTACT PIN	PHOS. BRONZE	GOLD	1		ISSUED								
3 INSULATOR	TEFLON	NATURAL	1		SHEET	1 OF 1							
2 BODY	BRASS	NICKEL	1										
1													