

4

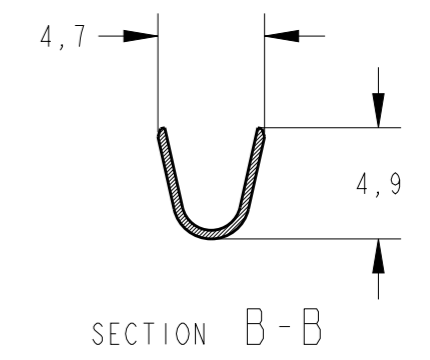
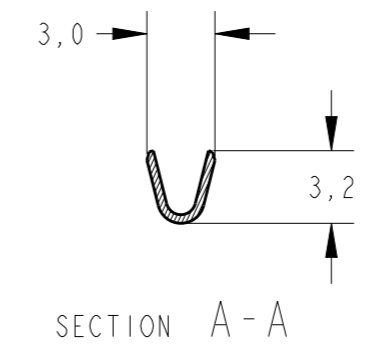
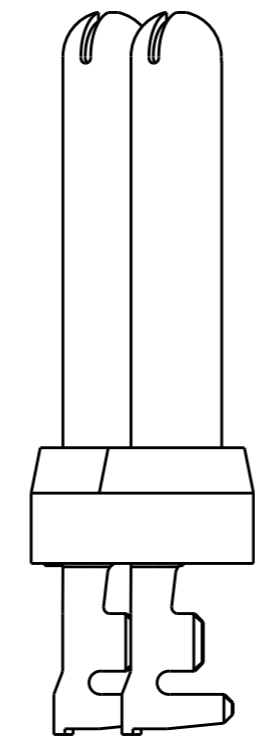
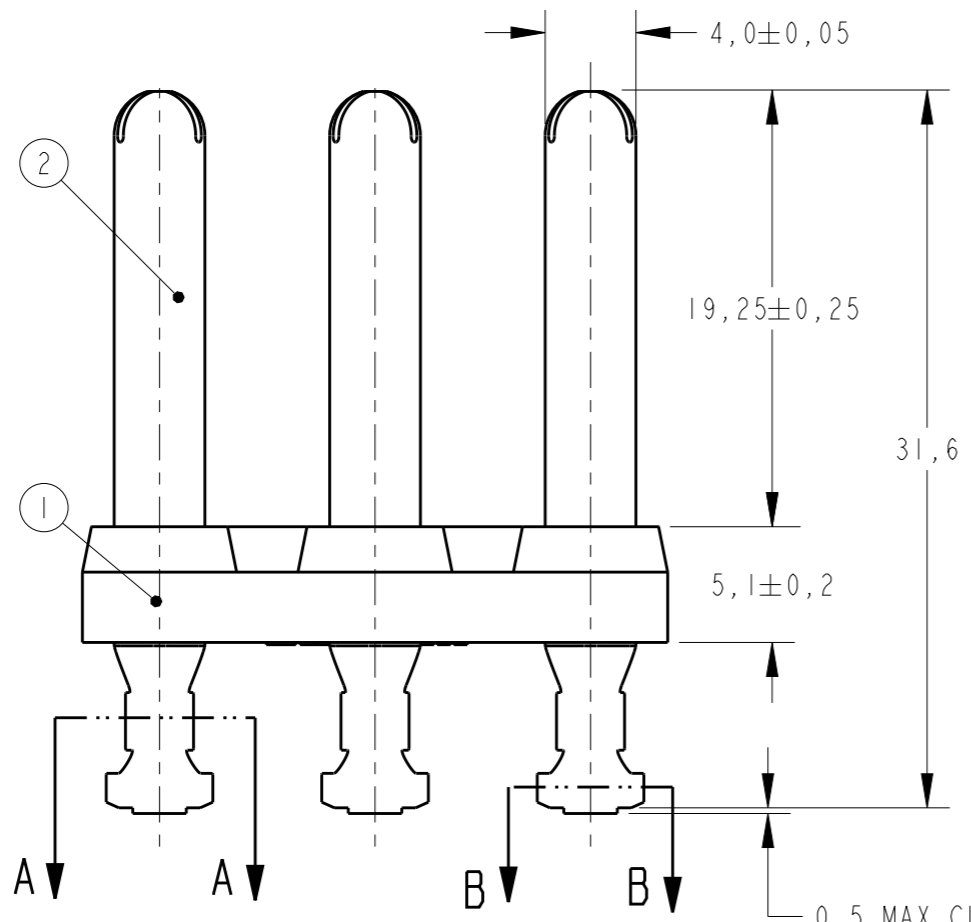
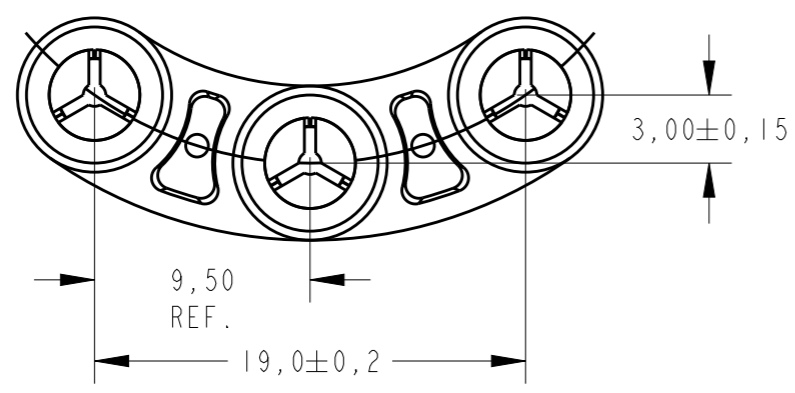
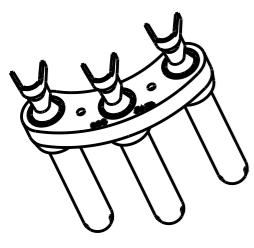
3

2

1

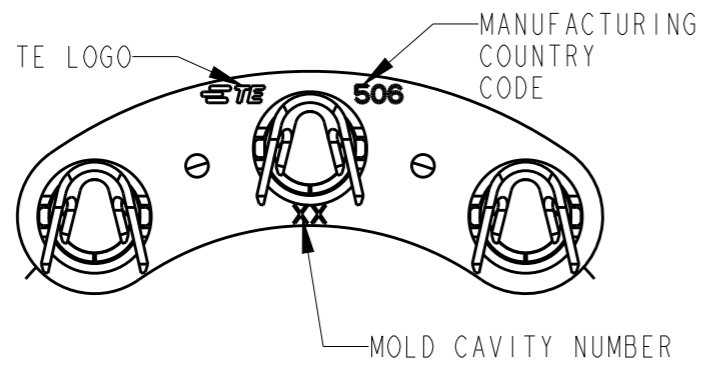
THIS DRAWING IS UNPUBLISHED. RELEASED FOR PUBLICATION 20
 © COPYRIGHT 20 BY - ALL RIGHTS RESERVED.

LOC	DIST	REVISIONS				
P	LTR	DESCRIPTION	DATE	DWN	APVD	
AP	-	A	REV. ECO 14-018354	09DEC2014	HC	WLS
		B	REV. ECO 15-002812	24FEB2015	HC	WLS



1-TERMINAL WIRE RANGE - 0,5/1,5mm²
 INSULATION RANGE - Ø2,0/3,0mm.

0,5 MAX CUT OFF BURR PERMITTED



NICKEL PLATED	BRASS	WALL PLUG PIN	2	2819039-1
BLACK	PBT 30% GF	3 POS. WALL PLUG SPACER	1	
FINISH	MATERIAL	DESCRIPTION	ITEM NUMBER	PART NUMBER

THIS DRAWING IS A CONTROLLED DOCUMENT.		DWN H. CANTERI 13MAY2014	STE TE Connectivity	
		CHK W.L. STEFANI 13MAY2014		
DIMENSIONS: mm		APVD -	NAME 3 POS. WALL PLUG ASSEMBLY	
TOLERANCES UNLESS OTHERWISE SPECIFIED:		PRODUCT SPEC -	APPLICATION SPEC -	
0 PLC ± -		WEIGHT -	SIZE A3	CAGE CODE 00779
1 PLC ± 0,3			DRAWING NO. 2819039	RESTRICTED TO -
2 PLC ± 0,2			SCALE 3:1	SHEET 1 OF 1
3 PLC ± -				REV B
4 PLC ± -				
ANGLES ± °				
MATERIAL -	FINISH -	Customer Drawing		