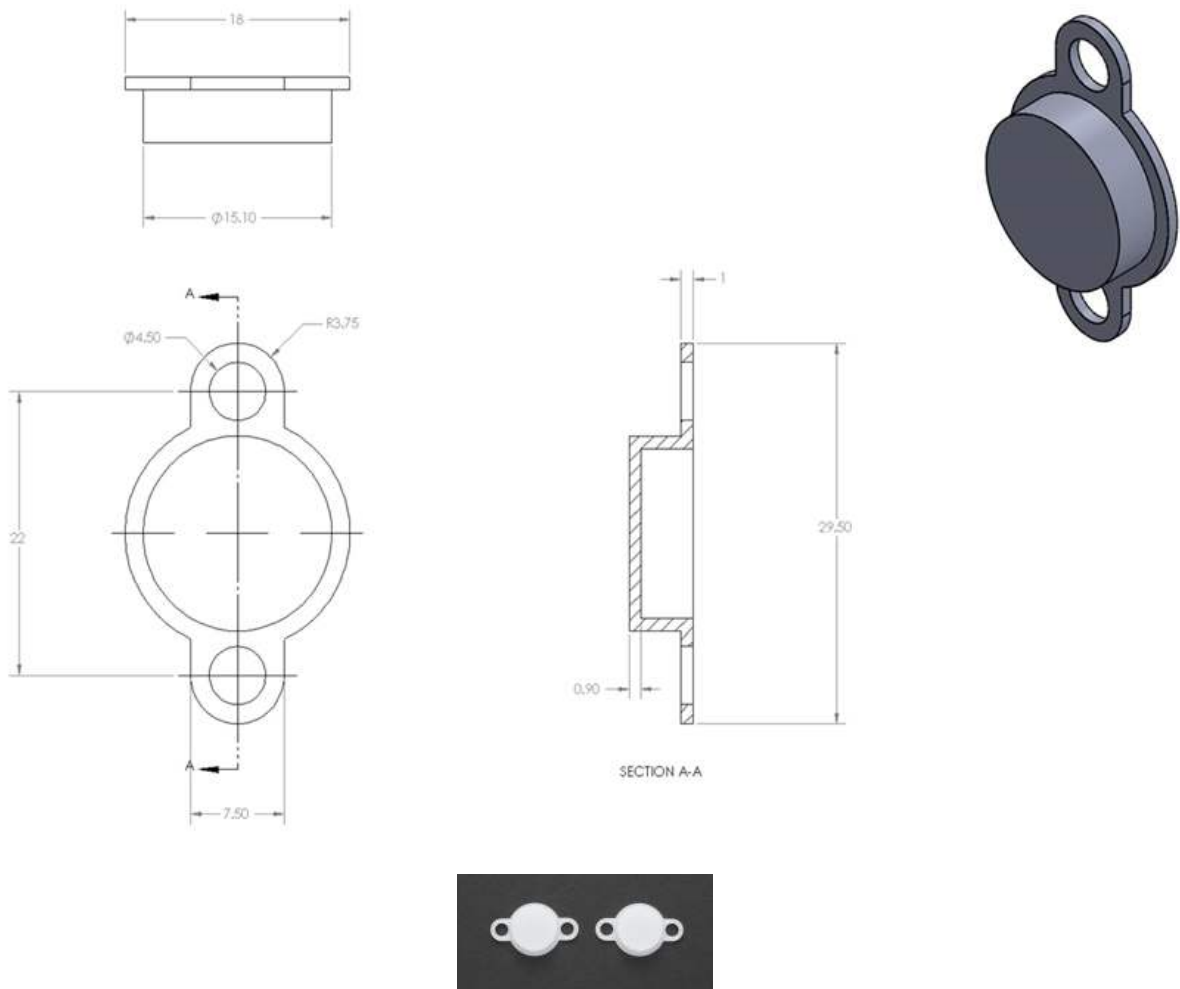


# FIR00-03 for TMOS EVK

(Protection CAP)

This document specifies TMOS sensor STHS34PF80 from STMicroelectronics and Lens FIR00-03 from Fresnel Factory Inc.

## 1. Dimension of PF63-10

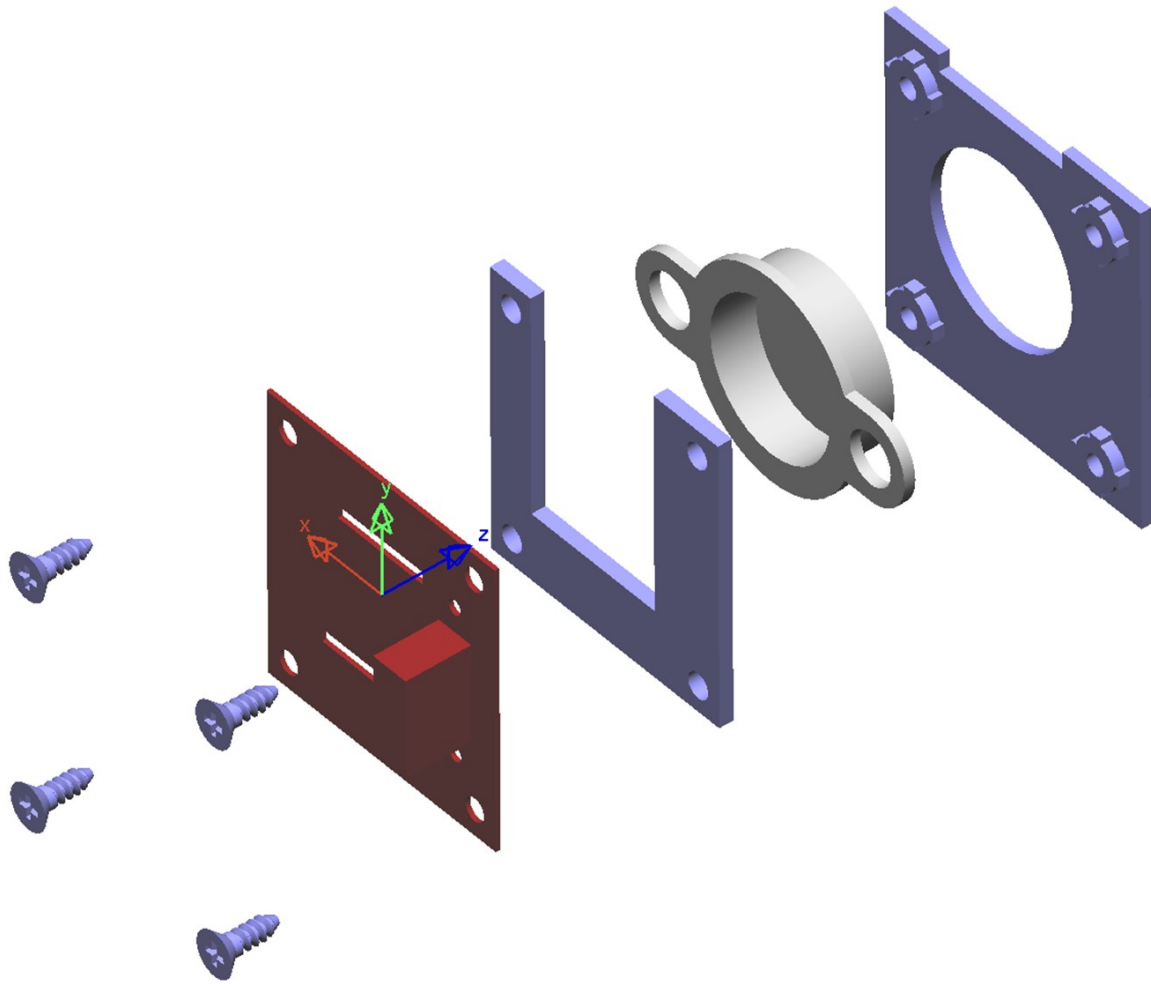


## 2. Housing for EVK with Back Connector

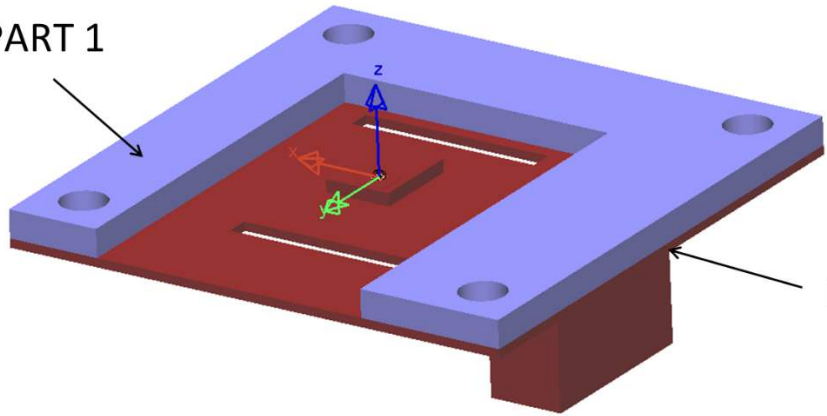
Please download 3D STP file for 3D printing in link below.

Part 1 <a href="https://url.kr/3u17iv">https://url.kr/3u17iv</a>	Part 2 <a href="https://url.kr/e53lsn">https://url.kr/e53lsn</a>
	

Fastened by 4 Philips self-tapping Screws M2x6

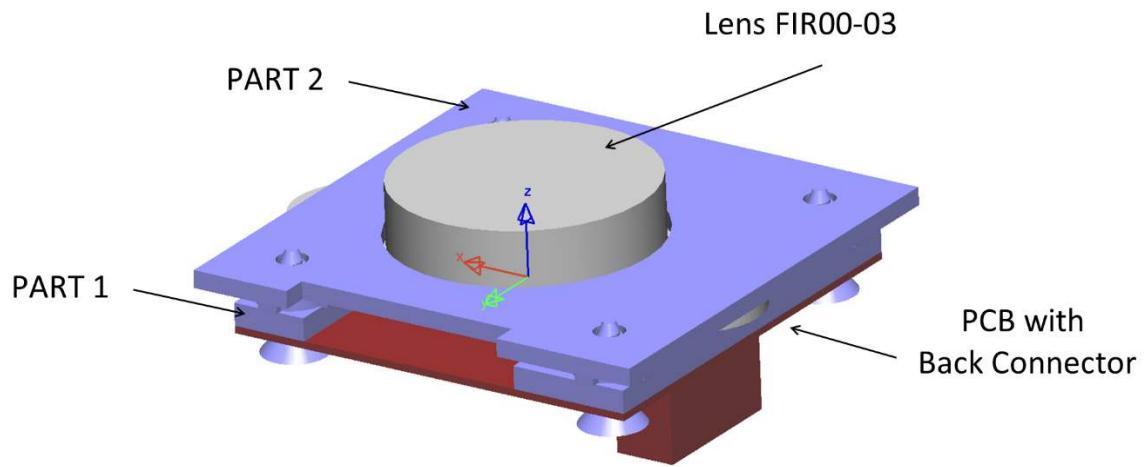


PART 1



PCB with  
Back Connector

### ASSEMBLED HOUSING



- Contact  
Fresnel Factory Inc.  
Ashton Myung KIM  
ashton@fresnelfactory.com  
+82 10-5248-4630