

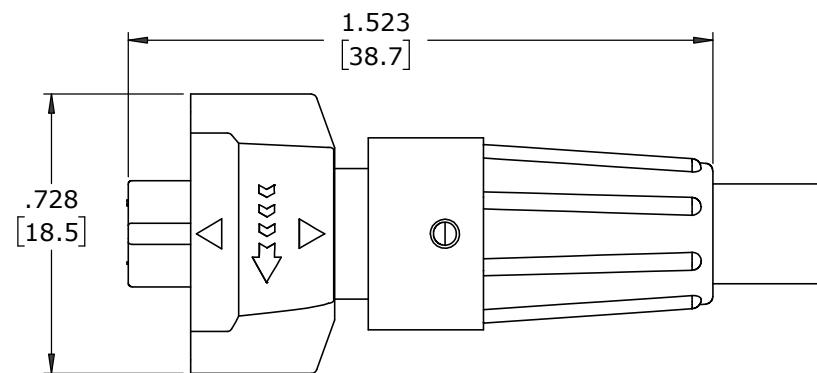
CUSTOMER PRINT

PART NUMBER: W16982-XSG-P-5XX

NOTES:

1. ALL PARTS TO BE BULK PACKED
2. CONTACTS ASSEMBLED WITH SOLDER CUPS FACING OUTWARD RADIALLY
3. ALL DIMENSIONS ARE REFERENCE EXCEPT THOSE WITH A TOLERANCE

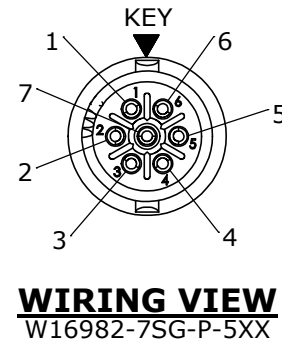
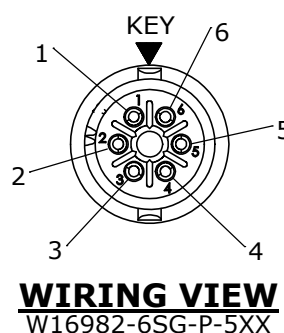
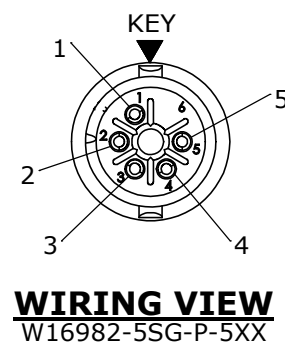
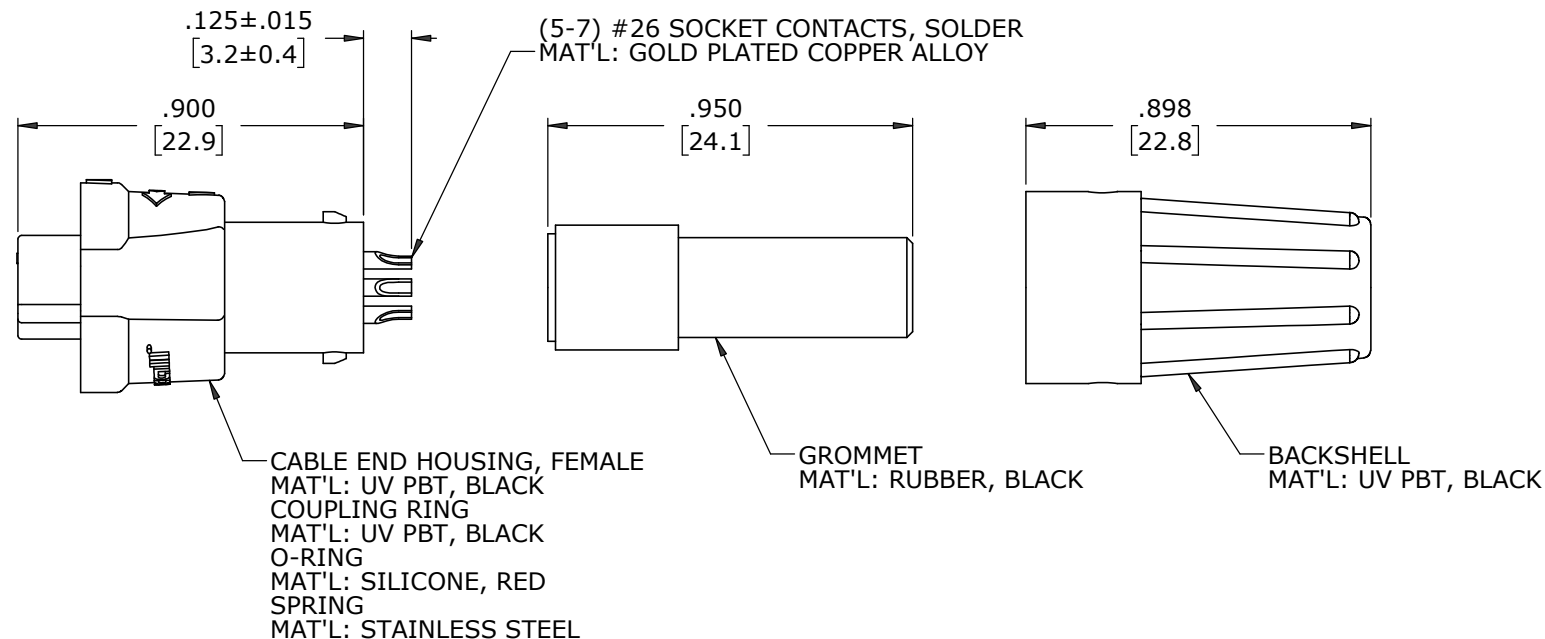
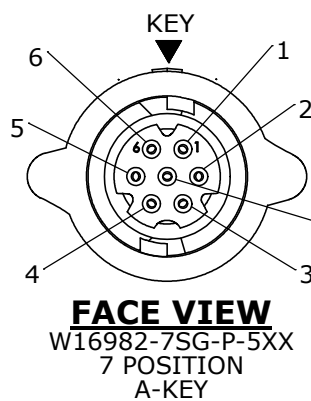
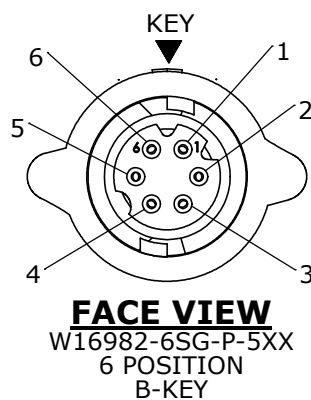
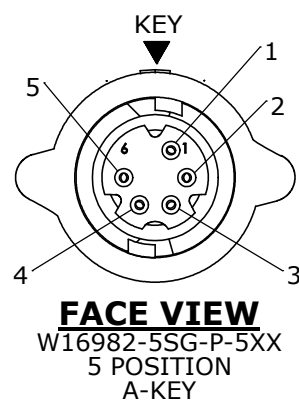
ASS'Y P/N	FOR CABLE O.D.
W16982-XSG-P-518	.175-.185 [4.4-4.7]
W16982-XSG-P-521	.205-.215 [5.2-5.5]
W16982-XSG-P-522	.215-.225 [5.5-5.7]



SHOWN ASSEMBLED  
FOR CUSTOMER REFERENCE ONLY

ASS'Y P/N	KEY STYLE	CONTACT QTY.
W16982-5SG-P-5XX	A-KEY	5
W16982-6SG-P-5XX	B-KEY	6
W16982-7SG-P-5XX	A-KEY	7
W16982-XSG-P-5XX		

GROMMET SIZE  
NUMBER OF CONTACTS



DIMENSIONS IN BRACKETS [ ] ARE IN MILLIMETERS

**CUSTOMER APPROVAL**

THIS DOCUMENT CONTAINS CONFIDENTIAL INFORMATION PROPRIETARY TO CONXALL CORPORATION. ANY REPRODUCTION, DISCLOSURE, OR USE OF THIS DOCUMENT /INFORMATION IS EXPRESSLY PROHIBITED UNLESS AUTHORIZED IN WRITING BY CONXALL CORPORATION.

APPROVED BY: \_\_\_\_\_  
DATE: \_\_\_\_\_

**RoHS COMPLIANT**

MA	08-18-20	RELEASED PER PDR 18004-4
A	JGK	2/28/20
	JGK	9/09/19
REV.	INIT.	DATE
<small>ALL INFORMATION ILLUSTRATED IS THE PROPERTY OF CONXALL CORPORATION. UNAUTHORIZED DUPLICATION OR DISTRIBUTION OF THIS DOCUMENT IS PROHIBITED.</small>		<small>ORIG. DRAWN BY: DATE: JGK 9/09/19</small> <small>CHECKED BY:</small>
<small>ALL UNITS ARE IN FEET, INCHES, FRACTION OF INCHES AND DECIMALS.</small> <small>UNLESS OTHERWISE SPECIFIED TOLERANCES: 3 PLACE DECIMALS ±.005 ANGLES ±1° FRACTIONS ±1/16</small>		 <small>601 E. WILDWOOD VILLA PARK, IL 60181</small>
<small>APPROVED BY:</small> _____ <small>SCALE: NTS B SHEET 1 OF 1</small>		<small>TITLE: CABLE-END ASSEMBLY (5-7) #26 SOCKET CONTACTS, SOLDER INSTA-CLICK™ MICRO-CON-X STANDARD PRODUCT</small> <small>CUSTOMER:</small>
FILE:	DIRECTORY:	PART NUMBER:
W16982-XSG-P-5XX	SLW	W16982-XSG-P-5XX
		REV A