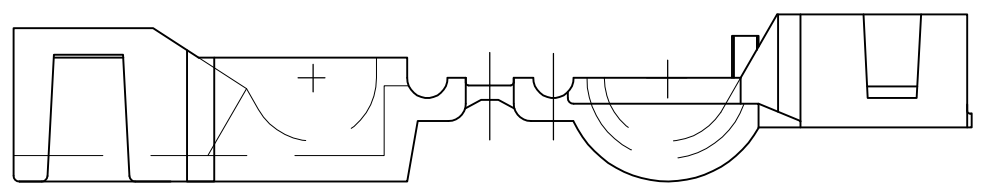
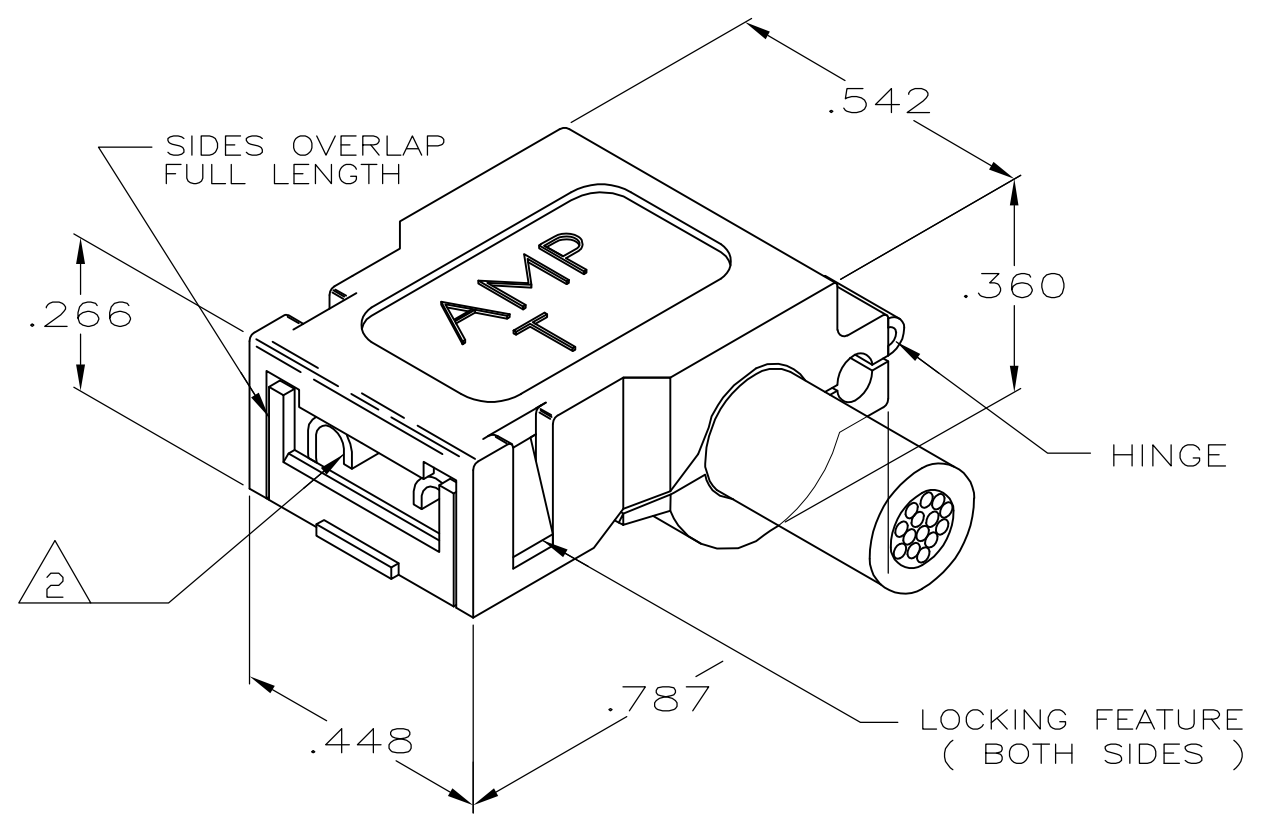
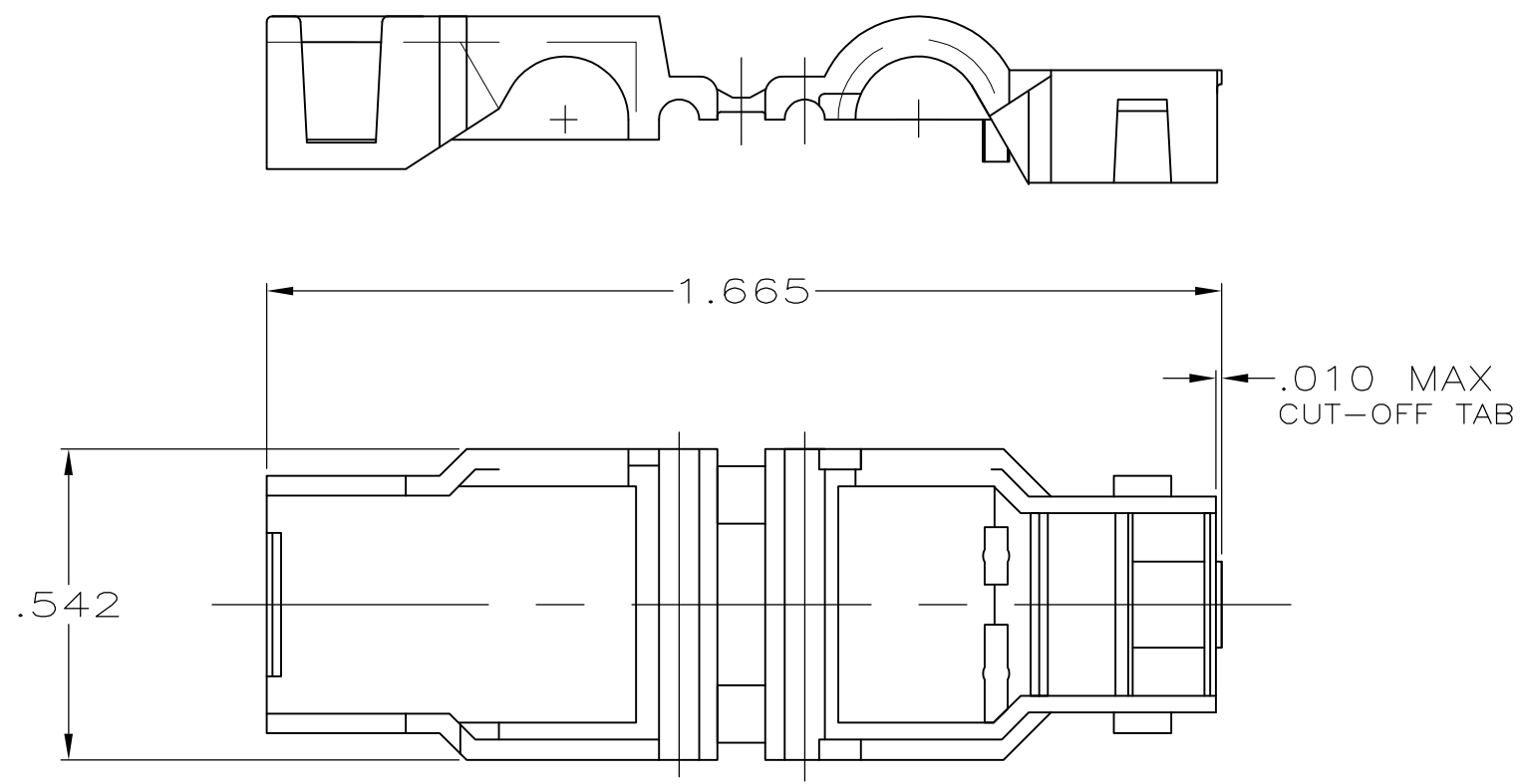


THIS DRAWING IS UNPUBLISHED. RELEASED FOR PUBLICATION  
 © COPYRIGHT - By - ALL RIGHTS RESERVED.

| LOC | DIST | REVISIONS |     |                           |          |     |      |
|-----|------|-----------|-----|---------------------------|----------|-----|------|
| AF  | 50   | P         | LTR | DESCRIPTION               | DATE     | DWN | APVD |
|     |      |           | T7  | REVISED PER ECO 12-016336 | 12SEPT12 | JR  | PD   |



- 1 SUPPLIED IN LOOSE PIECE.
- 2 THIS PART ACCEPTS .250 SERIES FASTON FLAG RECEPTACLES PART NUMBERS 41531, 41532, 42511, 60641 AND 60645.
- 3 SEE CP-23587 FOR RECOMMENDED TAB DETAILS.
- 4 MAX INSULATION IS .210.

5 GLOW WIRE APPROVED, CONTACT TYCO ELECTRONICS FOR ENGN SPECIFICATIONS, ALL WALL THICKNESSES ARE BETWEEN 0.4mm AND 3.0mm.

| 150° C         | 4/6 NYLON - BLACK        | 1-480307-9 |
|----------------|--------------------------|------------|
| -              | 5                        | 1-480307-8 |
| 120° C         | V0, 6/66 NYLON - NATURAL | 1-480307-7 |
| 150° C         | 4/6 NYLON - NATURAL      | 1-480307-6 |
| 125° C         | 6/6 NYLON - NATURAL      | 1-480307-1 |
| UL TEMP RATING | MATERIAL/COLOR           | PART NO.   |

THIS DRAWING IS A CONTROLLED DOCUMENT.

|                  |          |         |  |
|------------------|----------|---------|--|
| DWN              | JR RUTH  | 1/24/97 | TE Connectivity<br>NAME<br>INSULATION POD, AMPIP-POST      |
| CHK              | MS FEHER | 1/24/97 |  |
| APVD             | R BEAVER | 1/24/97 |  |
| PRODUCT SPEC     |          |         |  |
| APPLICATION SPEC |          |         |  |
| WEIGHT           | -        |         | SIZE<br>CAGE CODE<br>DRAWING NO<br>RESTRICTED TO           |
| CUSTOMER DRAWING |          |         | A300779<br>C-480307<br>SCALE 4:1<br>SHEET 1 OF 1<br>REV T7 |

|             |  |
|-------------|--|
| DIMENSIONS: | TOLERANCES UNLESS OTHERWISE SPECIFIED: |
| INCHES      |  |
|             | 0 PLC ± -                              |
|             | 1 PLC ± -                              |
|             | 2 PLC ± -                              |
|             | 3 PLC ± .015                           |
|             | 4 PLC ± -                              |
|             | ANGLES ± -                             |
| MATERIAL    | FINISH                                 |
| SEE TABLE   | SEE TABLE                              |