

MICRO SWITCH
a Honeywell Division

FED MFG. CODE 91929

ACTUATOR-SWITCH

CATALOG LISTING

JE-73

CATALOG LISTING
JE-73

PAGE 1 OF 1

RELEASE NO PR-5024

REPLACES

ISSUE

6

M

CHECK

REVISIONS

A	OBS C069507	DAW 21 FEB 91
B	RE-IN PR21936	JJA 5 JAN 96
C	204294	CSL 2 NOV 01

CHECK

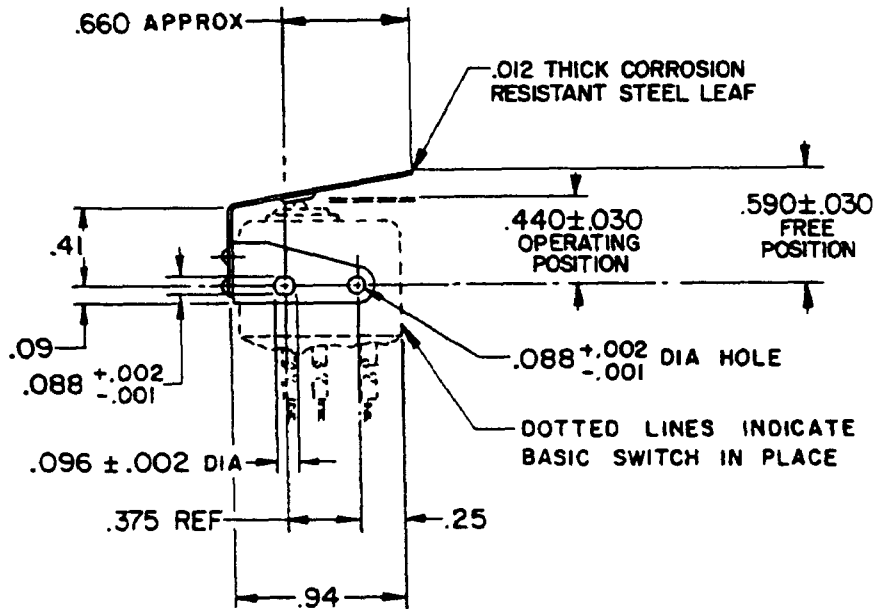
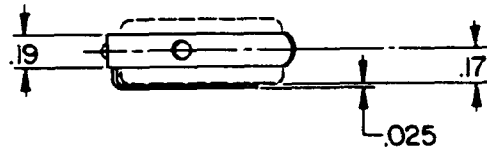
8 JAN 96

JJA 5 JAN 96

JJA 5 JAN 96

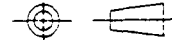
RASTER

DRAWN



THIS DRAWING COVERS A PROPRIETARY ITEM AND IS THE PROPERTY OF MICRO SWITCH A DIVISION OF HONEYWELL THIS DRAWING IS NOT TO BE COPIED OR USED WITHOUT THE APPROVAL OF MICRO SWITCH

THIRD ANGLE PROJECTION



CHARACTERISTICS	ELECTRICAL DATA	SCALE FULL	DO NOT SCALE PRINT
OPERATING FORCE ----- 12 OZ MAX	CONTACT ARRANGEMENT	UNLESS OTHERWISE SPECIFIED TOLERANCES ARE	
RELEASE FORCE ----- 2 OZ MIN		ONE PLACE (.)	± .030
DIFFERENTIAL TRAVEL --- .025 MAX		TWO PLACE (.00)	± .015
OVERTRAVEL ----- .015 MIN		THREE PLACE (.000)	± .005
		ANGLES	±
		WEIGHT	

MICRO SWITCH

a Honeywell Division

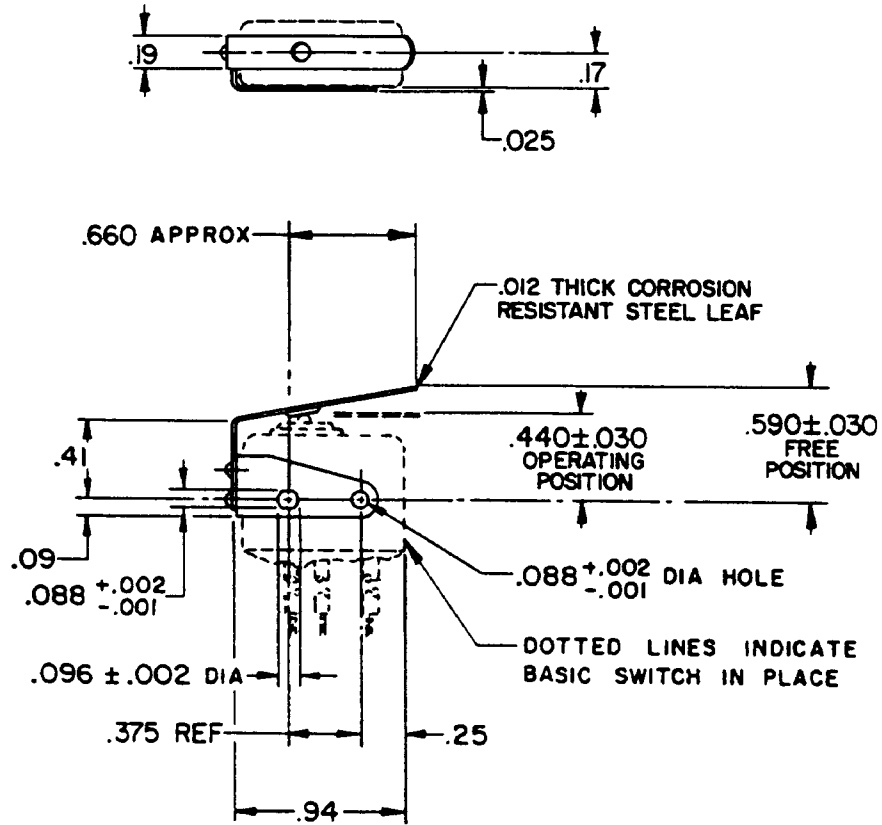
FED MFG. CODE 91929

ACTUATOR-SWITCH

CATALOG LISTING

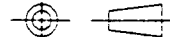
JE-73

CATALOG LISTING
 PAGE 1 OF 1
 RELEASE NO PR-5024
 ISSUE 5
 REVISIONS
 A OBS AC069507
 DAW 21 FEB 91
 B PRE-IN PR21936
 J J A 5 JAN 96
 CHECK TSM
 8 JAN 96
 CHECK
 DRAWN J J A 5 JAN 96



THIS DRAWING COVERS A PROPRIETARY ITEM AND IS THE PROPERTY OF MICRO SWITCH A DIVISION OF HONEYWELL THIS DRAWING IS NOT TO BE COPIED OR USED WITHOUT THE APPROVAL OF MICRO SWITCH

THIRD ANGLE PROJECTION



CHARACTERISTICS

OPERATING FORCE ----- 12 OZ MAX
 RELEASE FORCE ----- 2 OZ MIN
 DIFFERENTIAL TRAVEL ----- .025 MAX
 OVERTRAVEL ----- .015 MIN

ELECTRICAL DATA

CONTACT ARRANGEMENT

SCALE FULL

DO NOT SCALE PRINT

UNLESS OTHERWISE SPECIFIED TOLERANCES ARE

ONE PLACE (0) ± .030

TWO PLACE (00) ± .015

THREE PLACE (000) ± .005

ANGLES ±

WEIGHT