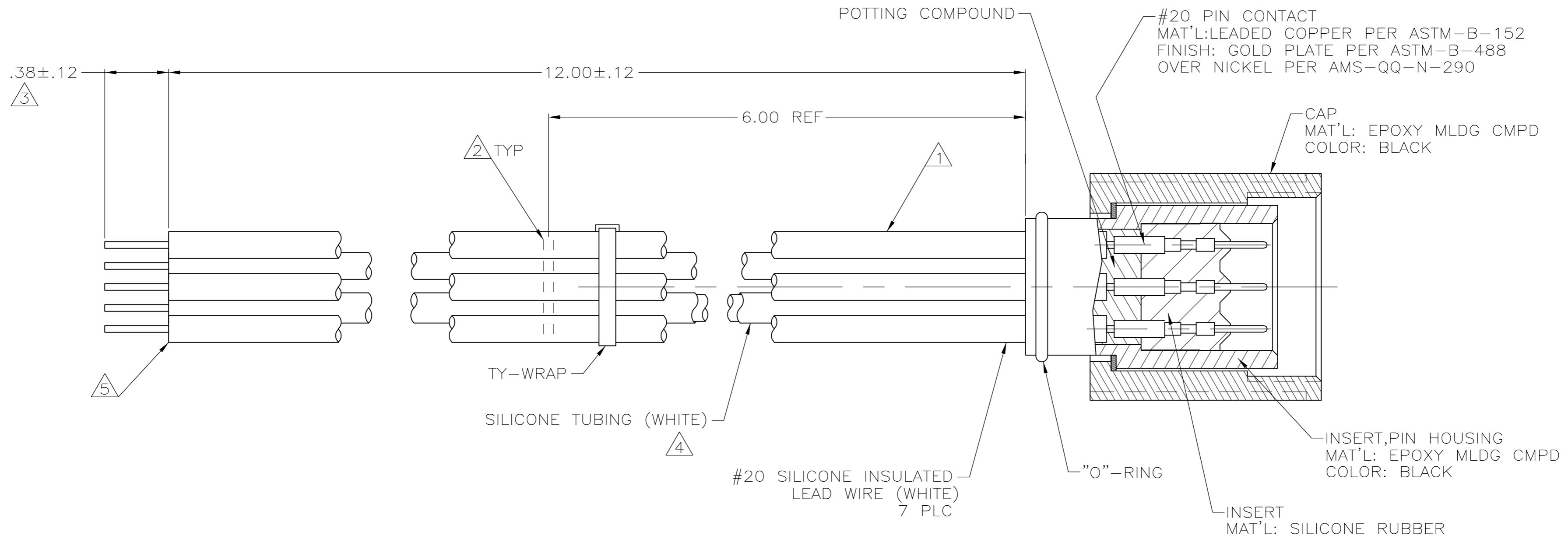


THIS DRAWING IS UNPUBLISHED. RELEASED FOR PUBLICATION - N/A .
 © COPYRIGHT N/A By - ALL RIGHTS RESERVED.

LOC	DIST	REVISIONS					
DF	S0	P	LTR	DESCRIPTION	DATE	DWN	APVD
		D		REV PER ECO-12-005082	15MAR12	PY	DE

- ① AMP INFORMATION MARKED PER MIL-STD-130 ON LEAD FROM PIN #3.
- ② PIN NUMBER MARKED ON LEAD PER MIL-STD-130.
- ③ PIGTAILS ARE SOLDER DIPPED. (865586-1 ONLY)
- ④ SILICONE TUBING ON LEAD #3 ONLY.
- ⑤ INSULATION CUT, BUT NOT REMOVED. (5-865586-1 ONLY)



5-865586-1
 865586-1
 PART NO.

THIS DRAWING IS A CONTROLLED DOCUMENT.		DWN C.C.THOMAS 26-MAR-92	STE TE Connectivity	
DIMENSIONS: INCHES [mm]		CHK D.EABY 20-APR-92		
TOLERANCES UNLESS OTHERWISE SPECIFIED:		APVD D.EABY 20-APR-92	NAME PLUG ASSY 7 POSN LGH	
0 PLC ± -		PRODUCT SPEC	SIZE A2	CAGE CODE 00779
1 PLC ± -		APPLICATION SPEC	DRAWING NO C=865586	RESTRICTED TO
2 PLC ± -			SCALE 2:1	SHEET 1 of 1
3 PLC ± -			REV D	
4 PLC ± -				
ANGLES ± -				
FINISH SEE CALLOUTS		WEIGHT -		
MATERIAL SEE CALLOUTS		CUSTOMER DRAWING		

865586