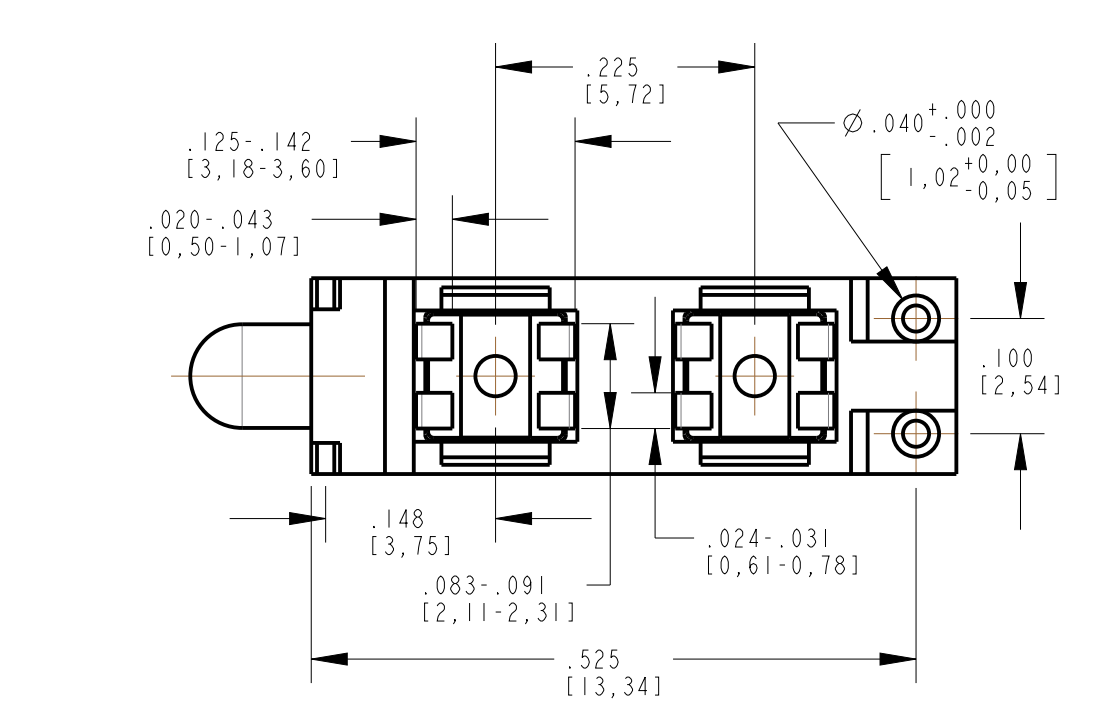
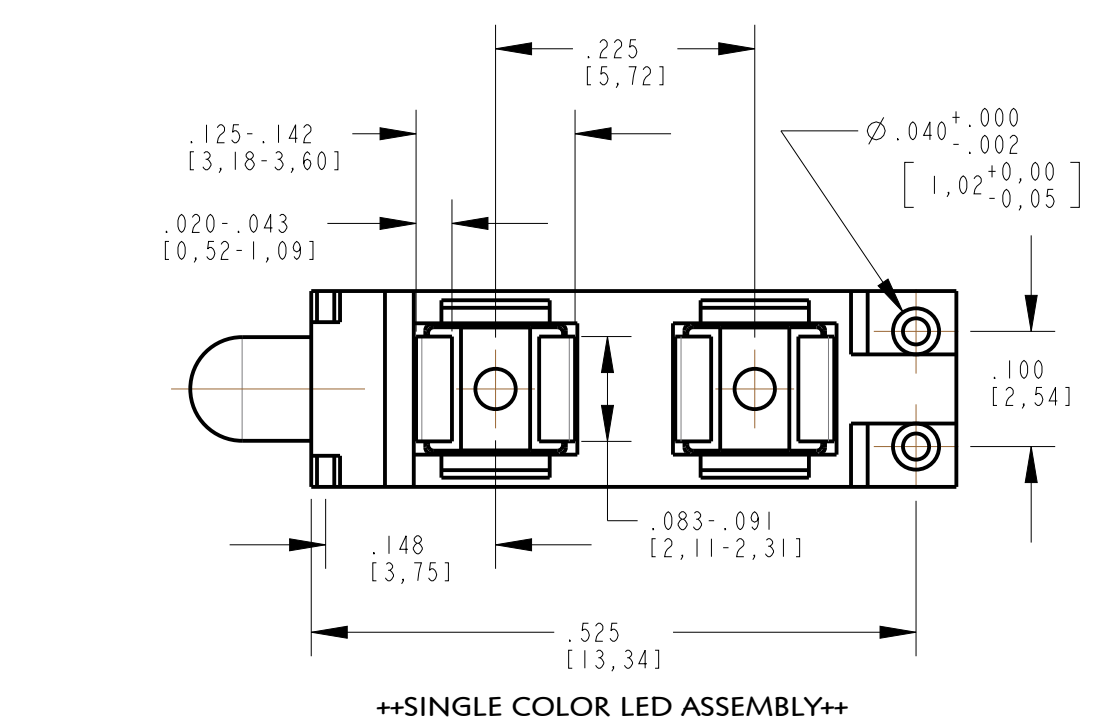
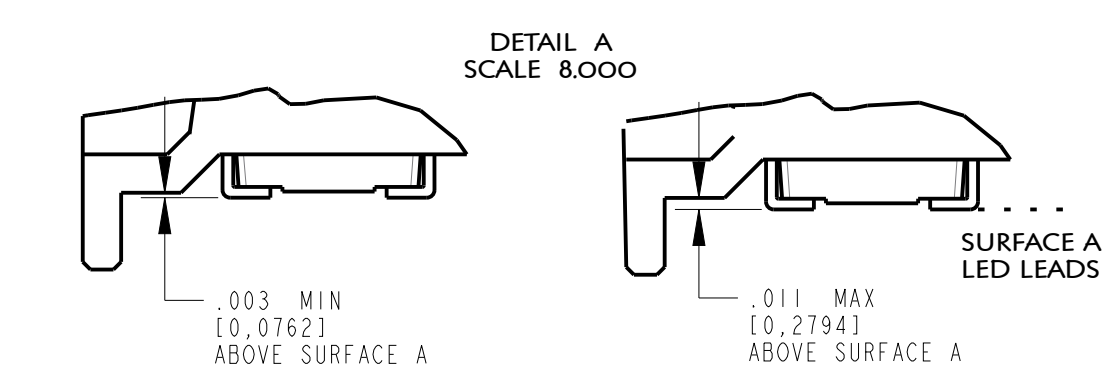
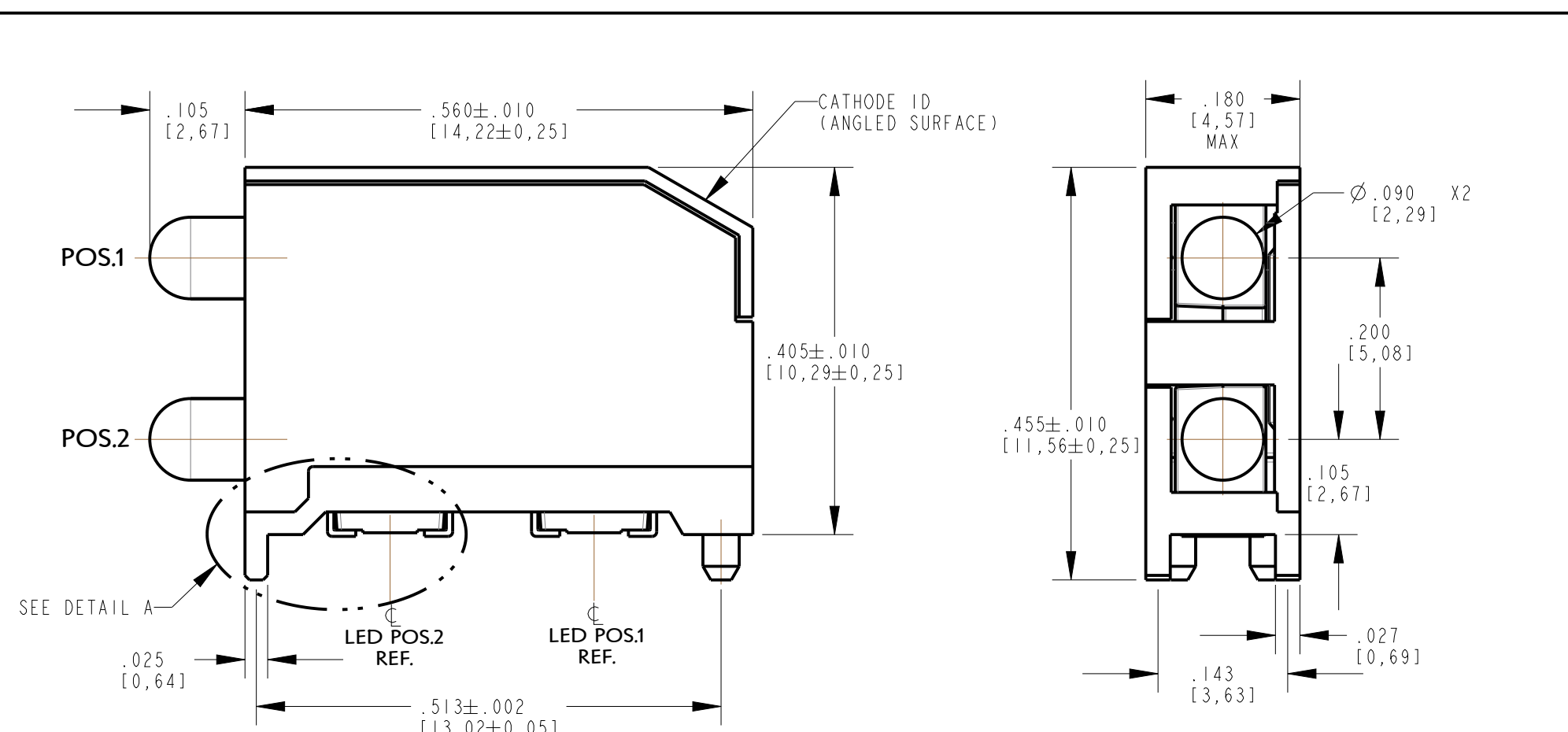
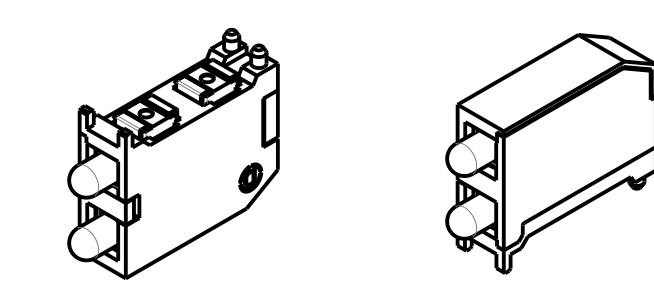


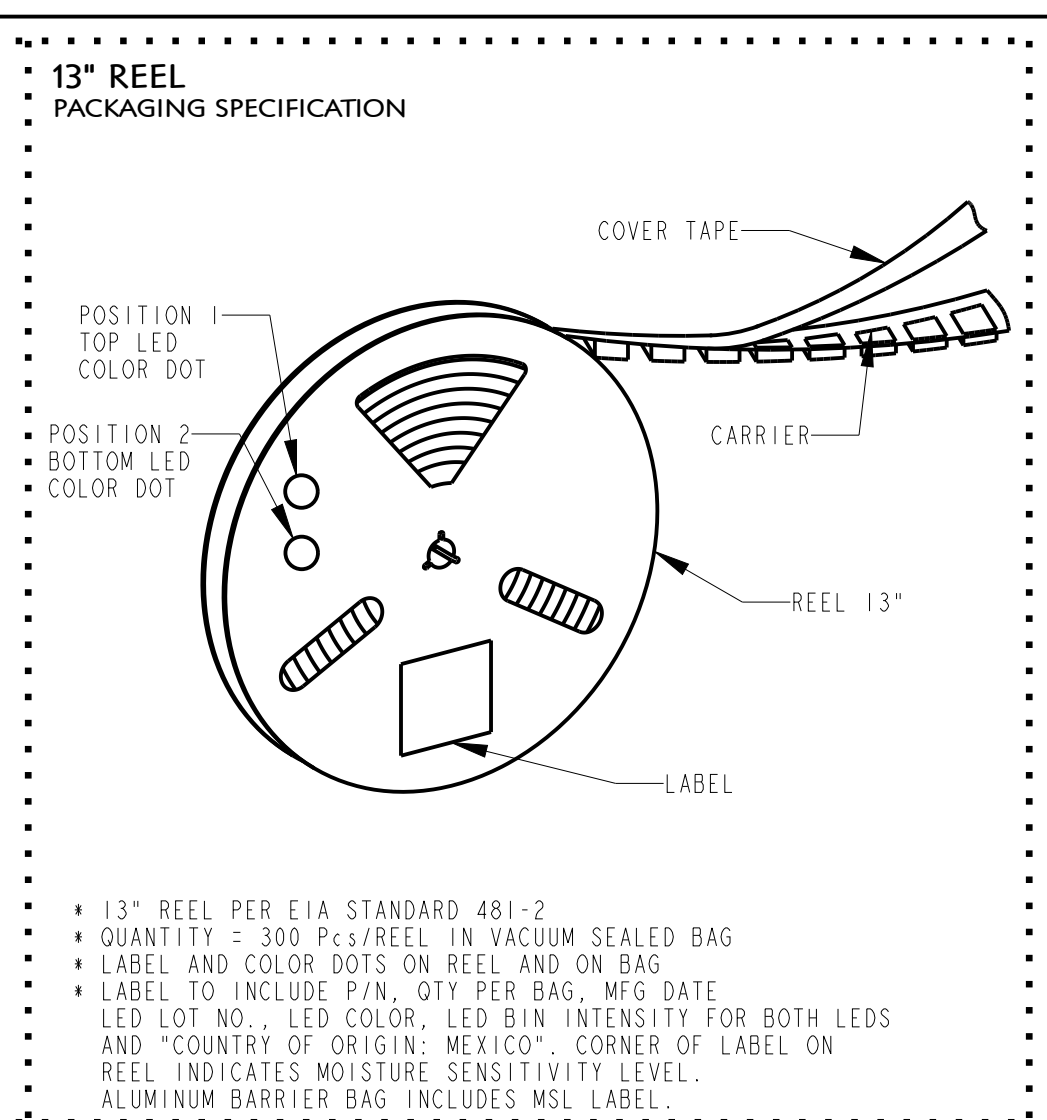
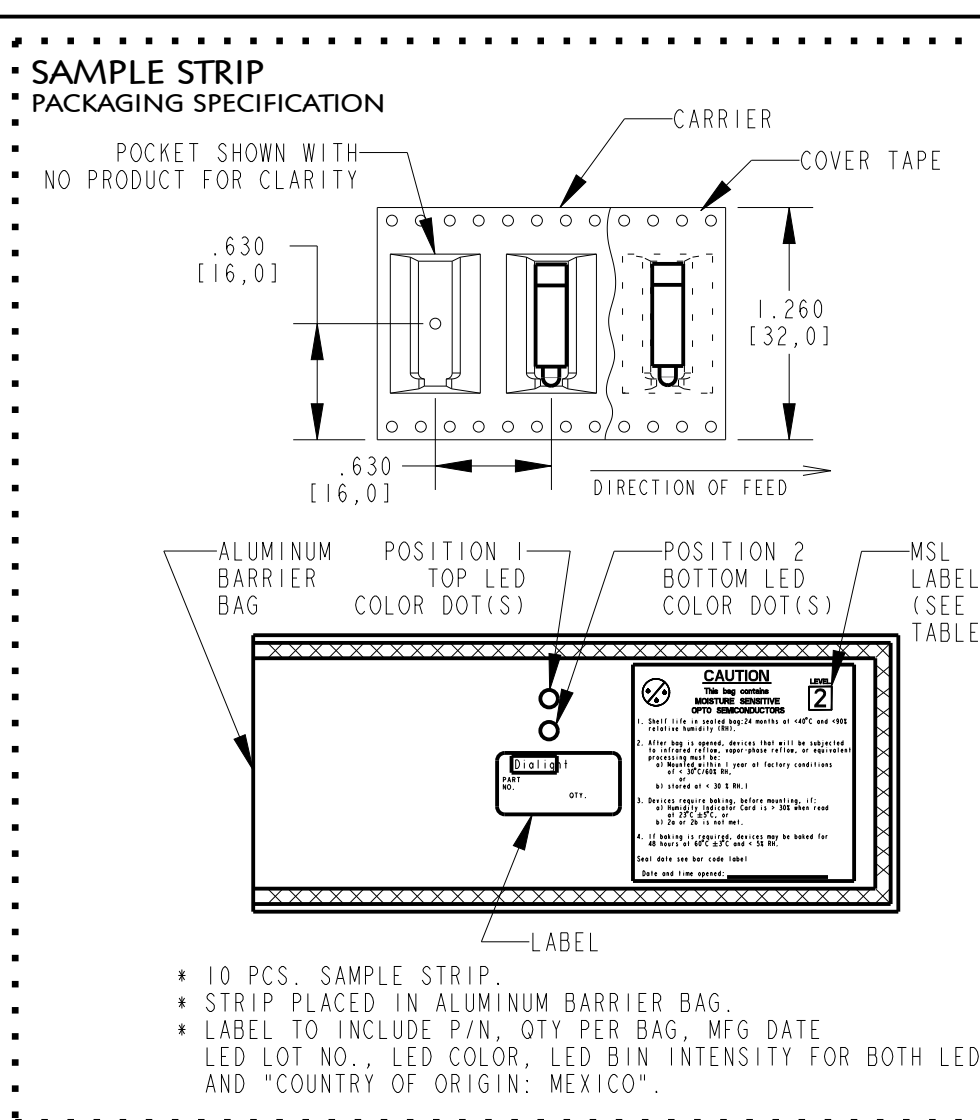
DIALIGHT PART NUMBER	PACKAGING	POSITION 1	POSITION 2	MSL
592-2020-302NF	SAMPLE STRIP	RED [HI, EFF]	RED [HI, EFF]	2
592-2020-313NF	13" REEL	RED [HI, EFF]	RED [HI, EFF]	2
592-2023-302NF	SAMPLE STRIP	RED [HI, EFF]	GREEN	2
592-2023-313NF	13" REEL	RED [HI, EFF]	GREEN	2
592-2121-302NF	SAMPLE STRIP	RED 640nm	RED 640nm	3
592-2121-313NF	13" REEL	RED 640nm	RED 640nm	3
592-2122-302NF	SAMPLE STRIP	RED 640nm	GREEN 3	3
592-2122-313NF	13" REEL	RED 640nm	GREEN 3	3
592-2124-302NF	SAMPLE STRIP	RED 640nm	YELLOW 3	3
592-2124-313NF	13" REEL	RED 640nm	YELLOW 3	3
592-2126-302NF	SAMPLE STRIP	RED 640nm	BLUE [InGaN]	3
592-2126-313NF	13" REEL	RED 640nm	BLUE [InGaN]	3
592-2135-302NF	SAMPLE STRIP	RED 640nm	RED/GRN/BLUE 3	3
592-2135-313NF	13" REEL	RED 640nm	RED/GRN/BLUE 3	3
592-2221-302NF	SAMPLE STRIP	GREEN 640nm	RED 640nm	2
592-2221-313NF	13" REEL	GREEN 640nm	RED 640nm	2
592-2320-302NF	SAMPLE STRIP	GREEN [HI, EFF]	GREEN 2	2
592-2320-313NF	13" REEL	GREEN [HI, EFF]	GREEN 2	2
592-2323-302NF	SAMPLE STRIP	GREEN 2	GREEN 2	2
592-2323-313NF	13" REEL	GREEN 2	GREEN 2	2
592-2324-302NF	SAMPLE STRIP	GREEN 2	YELLOW 2	2
592-2324-313NF	13" REEL	GREEN 2	YELLOW 2	2
592-2326-302NF	SAMPLE STRIP	GREEN 2	BLUE [InGaN]	2
592-2326-313NF	13" REEL	GREEN 2	BLUE [InGaN]	2
592-2420-302NF	SAMPLE STRIP	YELLOW 2	RED 2	2
592-2420-313NF	13" REEL	YELLOW 2	RED 2	2
592-2422-302NF	SAMPLE STRIP	YELLOW 2	GREEN [HI, INT]	2
592-2422-313NF	13" REEL	YELLOW 2	GREEN [HI, INT]	2
592-2423-302NF	SAMPLE STRIP	YELLOW 2	GREEN 2	2
592-2423-313NF	13" REEL	YELLOW 2	GREEN 2	2
592-2424-302NF	SAMPLE STRIP	YELLOW 2	YELLOW 2	2
592-2424-313NF	13" REEL	YELLOW 2	YELLOW 2	2
592-2429-302NF	SAMPLE STRIP	YELLOW 2	GREEN [InGaN]	2
592-2429-313NF	13" REEL	YELLOW 2	GREEN [InGaN]	2
592-2525-302NF	SAMPLE STRIP	ORANGE 2	ORANGE 2	2
592-2525-313NF	13" REEL	ORANGE 2	ORANGE 2	2
592-3024-302NF	SAMPLE STRIP	RED/GREEN 2	YELLOW 2	2
592-3024-313NF	13" REEL	RED/GREEN 2	YELLOW 2	2
592-3123-302NF	SAMPLE STRIP	YELLOW/GREEN 2	GREEN 2	2
592-3123-313NF	13" REEL	YELLOW/GREEN 2	GREEN 2	2
592-3520-302NF	SAMPLE STRIP	RED/GRN/BLUE 2	RED 2	2
592-3520-313NF	13" REEL	RED/GRN/BLUE 2	RED 2	2



- NOTES :
- DIALIGHT PART NUMBERS: 592-XXXX-3XXNF.
 - ...-302NF SUFFIX MEANS PARTS ARE SUPPLIED ON A 10 PCS. SAMPLE STRIP
...-313NF SUFFIX MEANS PARTS ARE SUPPLIED ON A 13 INCH REEL, 300 PCS/REEL
 - FRONT AND REAR TERMINALS [OF EACH LED] OF THE ASSEMBLY TO BE WITHIN .005" COPLANARITY.
 - STORAGE CONDITIONS FOR TAPED PRODUCT: RE-TAPING MAY BE NECESSARY FOR PRODUCT STORED MORE THAN TWELVE MONTHS.
 - PIN NUMBERS ARE FOR REFERENCE ONLY, DESIGNATION NON-EXISTENT ON PART.
 - MOISTURE SENSITIVITY LEVEL LABEL WILL BE PLACED ON BAG. CHECK CHART FOR PROPER LEVEL.
 - THIS ASSEMBLY CONTAINS ELECTROSTATIC DISCHARGE SENSITIVE DEVICES (ESDS). MAINTAIN ALL PRECAUTIONARY MEASURES DURING ASSEMBLY, HANDLING, AND STORAGE IN ACCORDANCE WITH IPC-A-610.
 - FLAMMABILITY RATING
HOUSING: UL-94-VO
SILICONE LENS AND LED: UL-94HB



SCALE 2.000



- 10 PCS. SAMPLE STRIP.
- STRIP PLACED IN ALUMINUM BARRIER BAG.
- LABEL TO INCLUDE P/N, QTY PER BAG, MFG DATE LED LOT NO., LED COLOR, LED BIN INTENSITY FOR BOTH LEADS AND "COUNTRY OF ORIGIN: MEXICO".

- 13" REEL PER EIA STANDARD 481-2
- QUANTITY = 300 PCS/REEL IN VACUUM SEALED BAG
- LABEL AND COLOR DOTS ON REEL AND ON BAG
- LABEL TO INCLUDE P/N, QTY PER BAG, MFG DATE LED LOT NO., LED COLOR, LED BIN INTENSITY FOR BOTH LEADS AND "COUNTRY OF ORIGIN: MEXICO". CORNER OF LABEL ON REEL INDICATES MOISTURE SENSITIVITY LEVEL.
- ALUMINUM BARRIER BAG INCLUDES MSL LABEL.

OPERATING CHARACTERISTICS AT 25°C AMBIENT - SINGLE COLOR LEDs							
COLOR	LUMINOUS INTENSITY (mcd)	TEST CURRENT (mA)	DOMINANT WAVELENGTH (nm)	PEAK WAVELENGTH (nm)	FORWARD VOLTAGE (V) @ 20mA	REVERSE CURRENT (µA)	UNITS
RED [HI, EFF]	12	10	627	633	639	635	2.0 2.3 10 @ Vr=12 V
RED [AlGaAs]	29	10	—	640	—	660	1.85 2.5 10 @ Vr=12 V
GREEN [HI, INT]	18	10	564	570	576	572	2.0 2.5 10 @ Vr=12 V
GREEN	18	10	566	570	575	572	2.0 2.4 10 @ Vr=12 V
YELLOW	50	10	580	587	595	586	2.0 2.4 10 @ Vr=5 V
ORANGE	81	10	600	606	609	610	2.0 2.4 10 @ Vr=5 V
BLUE [InGaN]	6	10	462	465	468	428	3.5 4.1 10 @ Vr=12 V
YELLOW [AlInGaP]	60	20	X= 285; 33; 367 Y= 259; 33; 401	—	—	—	3.1 3.7 10 @ Vr=5 V
WHITE	34	10	—	—	—	—	3.1 3.7 10 @ Vr=5 V
GREEN [InGaN]	56	20	—	525	—	523	3.7 4.3 10 @ Vr=12 V

ABSOLUTE MAXIMUM RATINGS AT 25°C AMBIENT SINGLE COLOR LEDs	COLOR											UNITS	
	RED [HI, EFF]	RED [AlGaAs]	GREEN	GREEN [HI, INT]	YELLOW [AlInGaP]	ORANGE	WHITE	BLUE [InGaN]	GREEN [InGaN]				
PEAK FORWARD CURRENT (1/200 DUTY CYCLE, 10µs PULSE WIDTH)	1000	155	1000	1000	200	200	1000	200	200	200	200	mA	
CONTINUOUS FORWARD CURRENT	30	30	30	30	30	30	20	20	30	30	30	mA	
LINEAR DERATING (FROM 85°C)	1.0	.42	1.0	1.0	1.0	1.0	0.60	0.44	0.42	0.42	0.42	mA/°C	
REVERSE VOLTAGE	12	12	12	12	12	12	5	5	5	5	5	V	
LEAD REFLOW SOLDERING TEMP (FOR 5 SEC.)	260											°C	
OPERATING TEMPERATURE	-40 TO +100				-40 TO +85				-55 TO +100				°C
STORAGE TEMPERATURE	-40 TO +100				-40 TO +85				-40 TO +100				°C

#30 & #31 OPERATING CHARACTERISTICS AT 25°C AMBIENT								
LED COLOR	LUMINOUS INTENSITY (mcd) @ If = 10 mA	FORWARD VOLTAGE (V) @ If = 2 mA	REVERSE CURRENT (µA) @ V = 12V	DOMINANT WAVELENGTH (nm)	PEAK WAVELENGTH (nm)	FORWARD VOLTAGE (V)	UNITS	
RED/GRN	RED	11	—	1.8	2.2	0.01	10	624 630 636 643
RED/GRN	GREEN	5	—	—	—	—	—	566 570 575 572
YLW/GRN	YELLOW	14	—	1.8	2.2	0.01	10	580 587 595 591
YLW/GRN	GREEN	5	—	—	—	—	—	566 570 575 572

ABSOLUTE MAXIMUM RATINGS AT 25°C AMBIENT RED/GRN & YLW/GRN BI-COLOR LED				RED/GRN	YLW/GRN	UNITS
CONTINUOUS FORWARD CURRENT				15		mA
REVERSE VOLTAGE				12		V
SURGE CURRENT				100		mA
PEAK SOLDERING TEMPERATURE				245		°C
OPERATING TEMPERATURE				-40 TO +100		°C
STORAGE TEMPERATURE				-40 TO +100		°C

OPERATING CHARACTERISTICS AT 25°C AMBIENT - RED/YELLOW BI-COLOR LED							
COLOR	LUMINOUS INTENSITY (mcd)	TEST CURRENT (mA)	DOMINANT WAVELENGTH (nm)			FORWARD VOLTAGE (V)	
			MIN	TYP	MAX	TYP	MAX
RED	21	20	627	633	639	645	2.0 2.3
YELLOW	34	20	580	587	595	591	2.0 2.4

ABSOLUTE MAXIMUM RATINGS AT 25°C AMBIENT - RED/YELLOW BI-COLOR LED				RED	YELLOW	UNITS
POWER DISSIPATION				80	80	mW
PEAK FORWARD CURRENT (1/200 DUTY CYCLE, 10µs PULSE WIDTH)				1000	200	mA
CONTINUOUS FORWARD CURRENT				30	30	mA
LINEAR DERATING FROM 75°C				0.60	0.60	mA/°C
LEAD REFLOW SOLDERING TEMPERATURE (FOR 5 SEC.)				260		°C
OPERATING TEMPERATURE				-40 TO +100		°C
STORAGE TEMPERATURE				-40 TO +100		°C

OPERATING CHARACTERISTICS AT 25°C AMBIENT - RED/BLUE BI-COLOR LED							
COLOR	LUMINOUS INTENSITY (mcd)	TEST CURRENT (mA)	DOMINANT WAVELENGTH (nm)			FORWARD VOLTAGE (V)	
			MIN	TYP	MAX	TYP	MAX
RED	21	10	620	625	630	—	1.9 2.2
BLUE	24	10	465	467	470	—	3.0 3.2

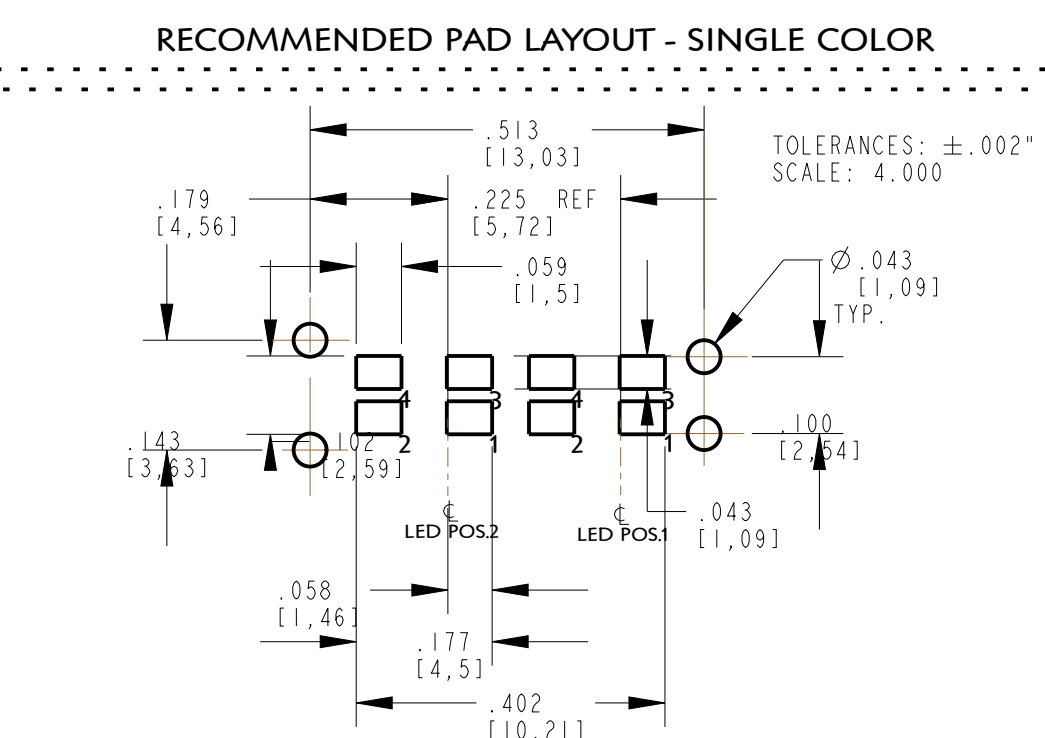
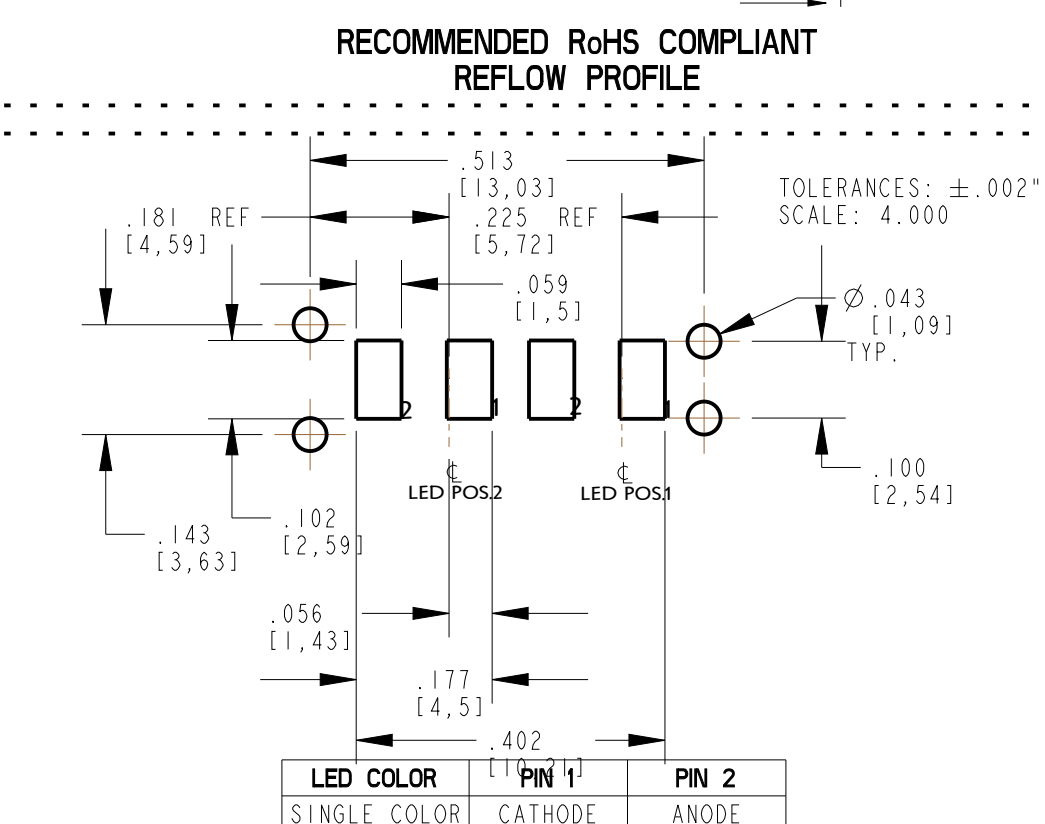
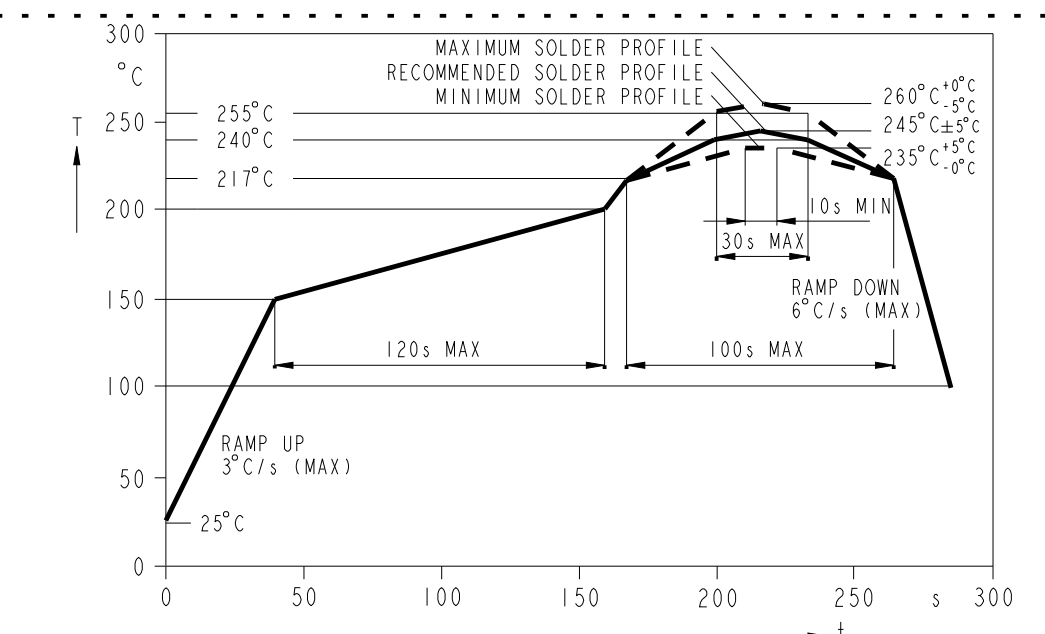
ABSOLUTE MAXIMUM RATINGS AT 25°C AMBIENT - RED/BLUE BI-COLOR LED				RED	BLUE	UNITS
PEAK FORWARD CURRENT (1/10 DUTY CYCLE, 10ms PULSE WIDTH)				100		mA
CONTINUOUS FORWARD CURRENT				30		mA
LINEAR DERATING FROM 80°C				1.0		mA/°C
LEAD REFLOW SOLDERING TEMPERATURE (FOR 5 SEC.)				260		°C
OPERATING TEMPERATURE				-40 TO +100		°C
STORAGE TEMPERATURE				-40 TO +100		°C

OPERATING CHARACTERISTICS AT 25°C AMBIENT - RED/GRN/BLUE TRI-COLOR LED							
COLOR	LUMINOUS INTENSITY (mcd)	TEST CURRENT (mA)	DOMINANT WAVELENGTH (nm)			FORWARD VOLTAGE (V)	
			MIN	TYP	MAX	TYP	MAX
RED	31	20	626	635	635	1.9	2.4
GREEN	84	20	525	523	523	3.4	4.1
BLUE	16	20	470	468	468	3.4	4.1

ABSOLUTE MAXIMUM RATINGS AT 25°C AMBIENT - RED/GRN/BLUE TRI-COLOR LED						
POWER DISSIPATION	RED	GREEN	BLUE	UNITS		
POWER DISSIPATION	72	120	120	mW		
PEAK FORWARD CURRENT (1/200 DUTY CYCLE, 10µs PULSE WIDTH)	30	20	20	mA		
CONTINUOUS FORWARD CURRENT	30	30	30	mA		
LINEAR DERATING FROM 80°C (+BLUE & GREEN FROM 70°C) 1 CHIP ON	1.00	+0.50	+0.50	mA/°C		
LINEAR DERATING FROM 65°C (+BLUE & GREEN FROM 50°C) 3 CHIPS ON	0.75	+0.30	+0.30	mA/°C		
LEAD REFLOW SOLDERING TEMPERATURE (FOR 5 SEC.)	260			°C		
OPERATING TEMPERATURE	-55 TO +100			°C		
STORAGE TEMPERATURE	-55 TO +100			°C		

OPERATING CHARACTERISTICS AT 25°C AMBIENT - ORANGE/GREEN BI-COLOR LED							
COLOR	LUMINOUS INTENSITY (mcd)	TEST CURRENT (mA)	DOMINANT WAVELENGTH (nm)			FORWARD VOLTAGE (V)	
			MIN	TYP	MAX	TYP	MAX
ORANGE	3	10	600	606	612	610	2.0 2.5
GREEN	4	10	564	570	576	572	2.0 2.5

ABSOLUTE MAXIMUM RATINGS AT 25°C AMBIENT - ORANGE/GREEN BI-COLOR LED				ORANGE	GREEN	UNITS
POWER DISSIPATION				95	95	mW
PEAK FORWARD CURRENT (1/200 DUTY CYCLE, 10µs PULSE WIDTH)				500	500	mA
CONTINUOUS FORWARD CURRENT				30	30	mA
LINEAR DERATING FROM 55°C				0.66	0.66	mA/°C
LEAD REFLOW SOLDERING TEMPERATURE (FOR 5 SEC.)				260		°C
OPERATING TEMPERATURE				-40 TO +100		°C
STORAGE TEMPERATURE				-40 TO +100		°C



LED COLOR	PIN 1	PIN 2	PIN 3	PIN 4
RED/YELLOW	RED CATHODE	RED ANODE	YELLOW ANODE	YELLOW CATHODE
YELLOW/GREEN	YELLOW CATHODE	YELLOW ANODE	GREEN ANODE	GREEN CATHODE
RED/GREEN	RED CATHODE	RED ANODE	GREEN ANODE	GREEN CATHODE
RED/BLUE	RED CATHODE	RED ANODE	BLUE ANODE	BLUE CATHODE
ORANGE/GREEN	ORANGE CATHODE	ORANGE ANODE	GREEN ANODE	GREEN CATHODE
R/G/B TRI-COLOR	RED CATHODE	COMMON ANODE	GREEN CATHODE	BLUE CATHODE

ATTENTION: OBSERVE PRECAUTIONS FOR HANDLING ELECTROSTATIC SENSITIVE DEVICES

RoHS COMPLIANT 592-XXXX-3XXNF

Part Numbers with the "F" suffix ending are RoHS Compliant.
For example: 592-2020-302F
Packaging is marked with "RoHS Compliant" label or equivalent markings. These parts can be used with RoHS reflow profile. Parts can be wave soldered, dip soldered or hand soldered using typical lead-free soldering process with max 260°C temp. for 5 sec.

THIS DRAWING AND THE CONTENTS HEREIN ARE CONFIDENTIAL AND THE SOLE PROPERTY OF DIALIGHT. REPRODUCTION OF THIS DRAWING OR CONSTRUCTION OF ANY PARTS WITHIN THIS DRAWING ARE FORBIDDEN WITHOUT THE WRITTEN CONSENT OF DIALIGHT.

SCALE: 6.000 DRAWING NUMBER: C-18503 REV: A

TOLERANCES: UNLESS OTHERWISE SPECIFIED
FRACTIONS: ±1/64
DECIMALS (XXX): ±.012
DECIMALS (XXXX): ±.010
ANGLES: ±1°

TITLE: B1-LEVEL PRISM
MATERIAL: ROHS COMPLIANT

Dialight 1501 ROUTE 34 SOUTH FARMINGDALE, NJ 07727

FSC 83330 SHEET 1 OF 1 FAMILY TABLE