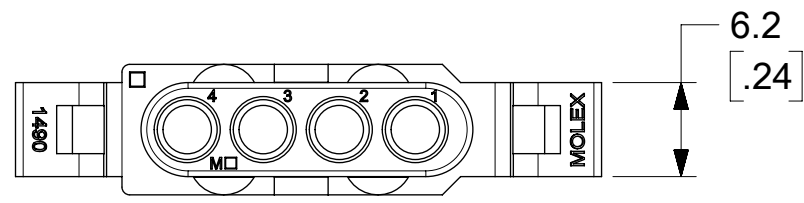
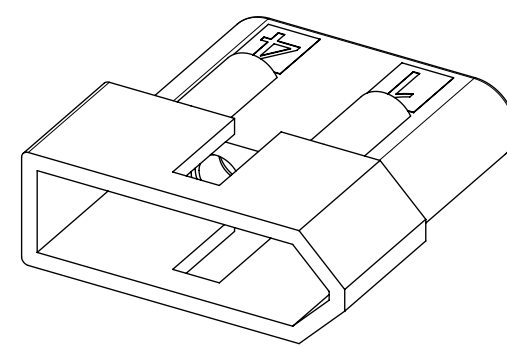
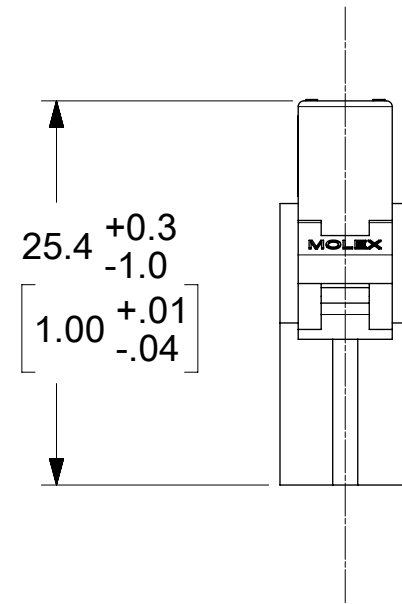
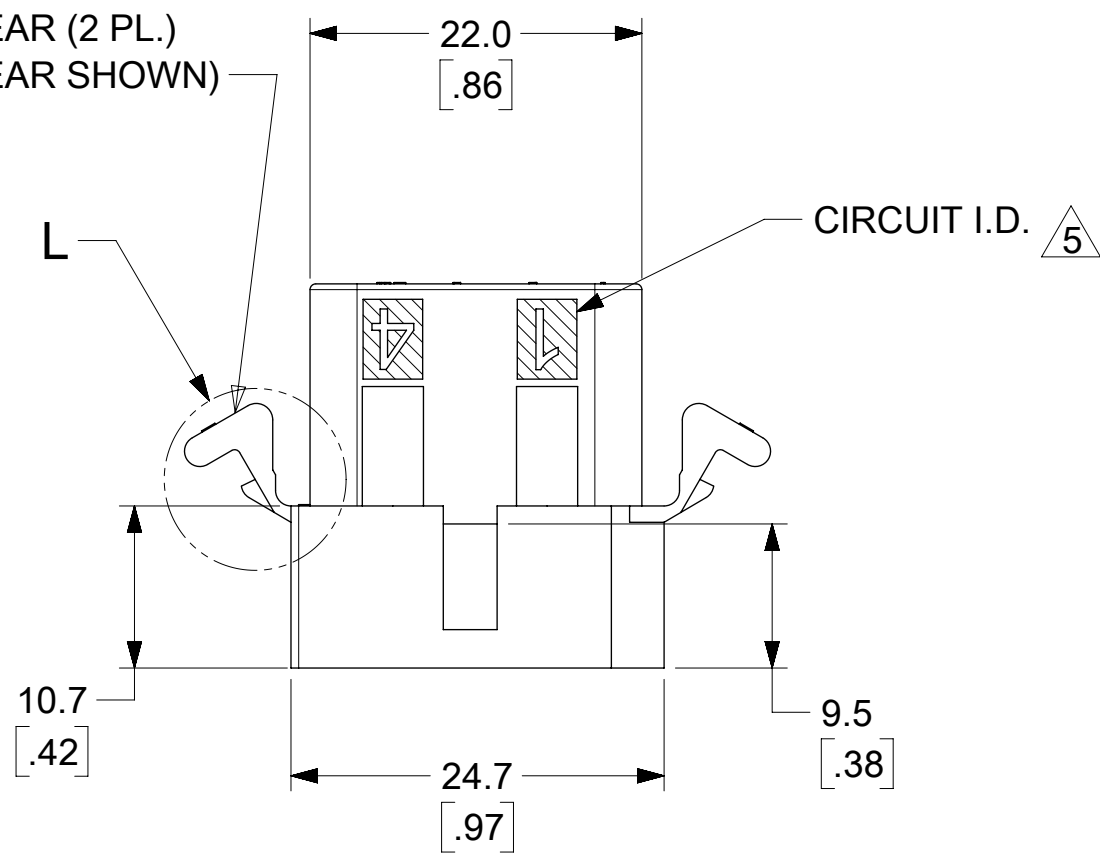


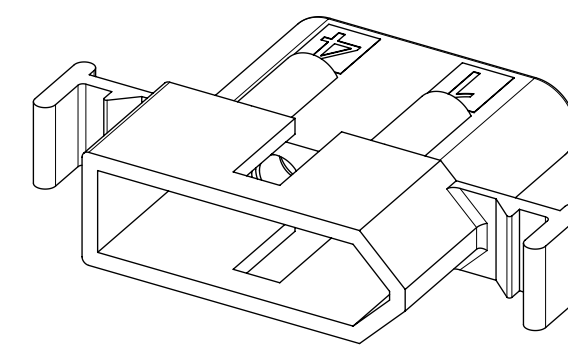
PLUG



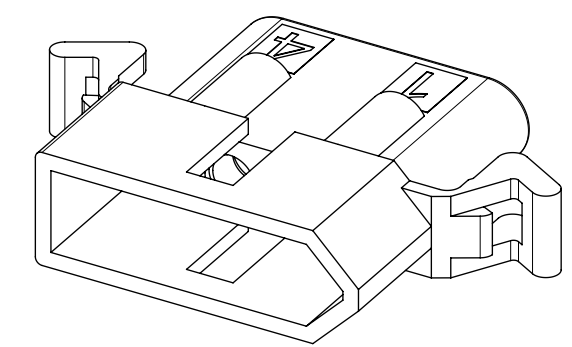
OPTIONAL MOUNTING EAR (2 PL.)
(PREBENT MOUNTING EAR SHOWN)
SEE DETAIL K OR L



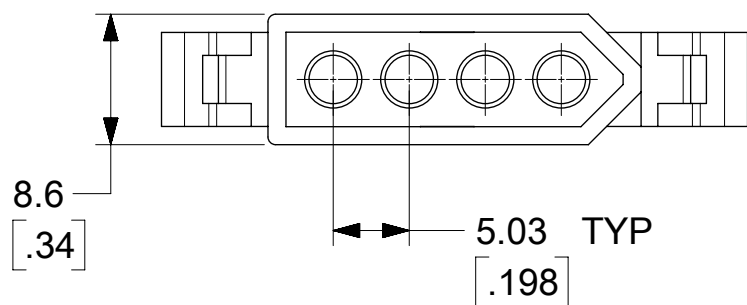
PLUG HOUSING WITHOUT EARS



PLUG HOUSING WITH STANDARD EARS



PLUG HOUSING WITH PREBENT EARS



SYMBOLS	THIS DRAWING CONTAINS INFORMATION THAT IS PROPRIETARY TO MOLEX ELECTRONIC TECHNOLOGIES, LLC AND SHOULD NOT BE USED WITHOUT WRITTEN PERMISSION									
	DIMENSION UNITS		SCALE		CURRENT REV DESC: ADD CAVITY ID					
∇ = 0	MM/IN		2:1		EC NO: 173421 DRWN: MKIPPER 2018/03/07 CHK'D: JBELL 2018/03/12 APPR: FSMITH 2018/03/16					
∇ = 0	GENERAL TOLERANCES (UNLESS SPECIFIED)									
∇ = 0			MM	INCH	INITIAL REVISION: DRWN: CSLAFTER 2017/01/17 APPR: FSMITH 2017/01/29					
S = 0	4 PLACES	±	±							
∇ = 0	3 PLACES	±	±	0.01	PRODUCT CUSTOMER DRAWING DOCUMENT NUMBER: 14900000-SD DOC TYPE: PSD DOC PART: 000 REVISION: A1					
∇ = 0	2 PLACES	±	0.25	±						0.014
∇ = 0	1 PLACE	±	0.35	±	MATERIAL NUMBER: SEE CHART CUSTOMER: GENERAL MARKET SHEET NUMBER: 1 OF 3					
∇ = 0	0 PLACES	±	±							
∇ = 0	ANGULAR TOL ± 0.5°		THIRD ANGLE PROJECTION		DRAWING	SERIES				
∇ = 0	DRAFT WHERE APPLICABLE MUST REMAIN WITHIN DIMENSIONS					C-SIZE	1490			

molex

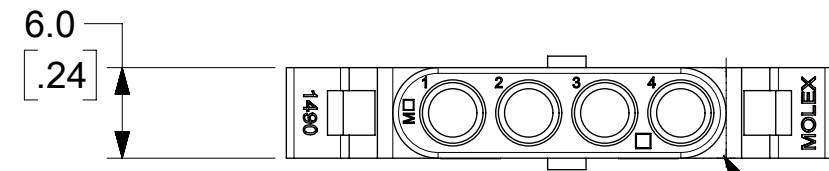
.093/(2.36) HOUSINGS PLUG AND RECEPTACLE

PRODUCT CUSTOMER DRAWING

14900000-SD PSD 000 A1

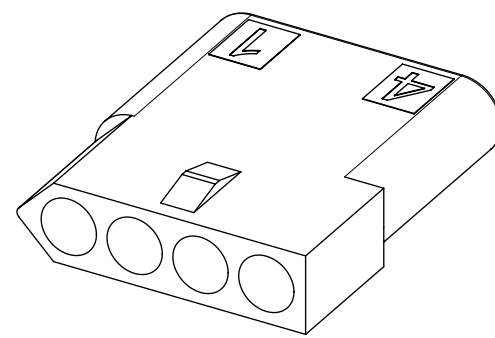
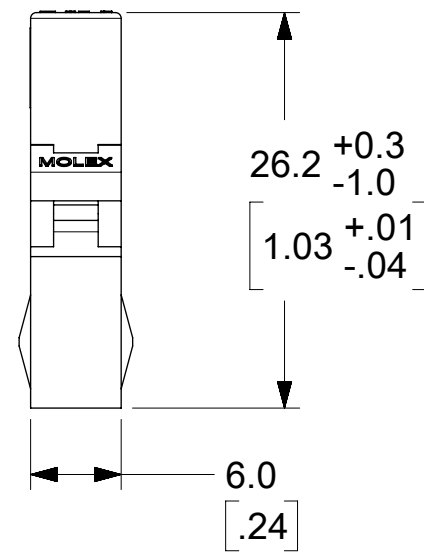
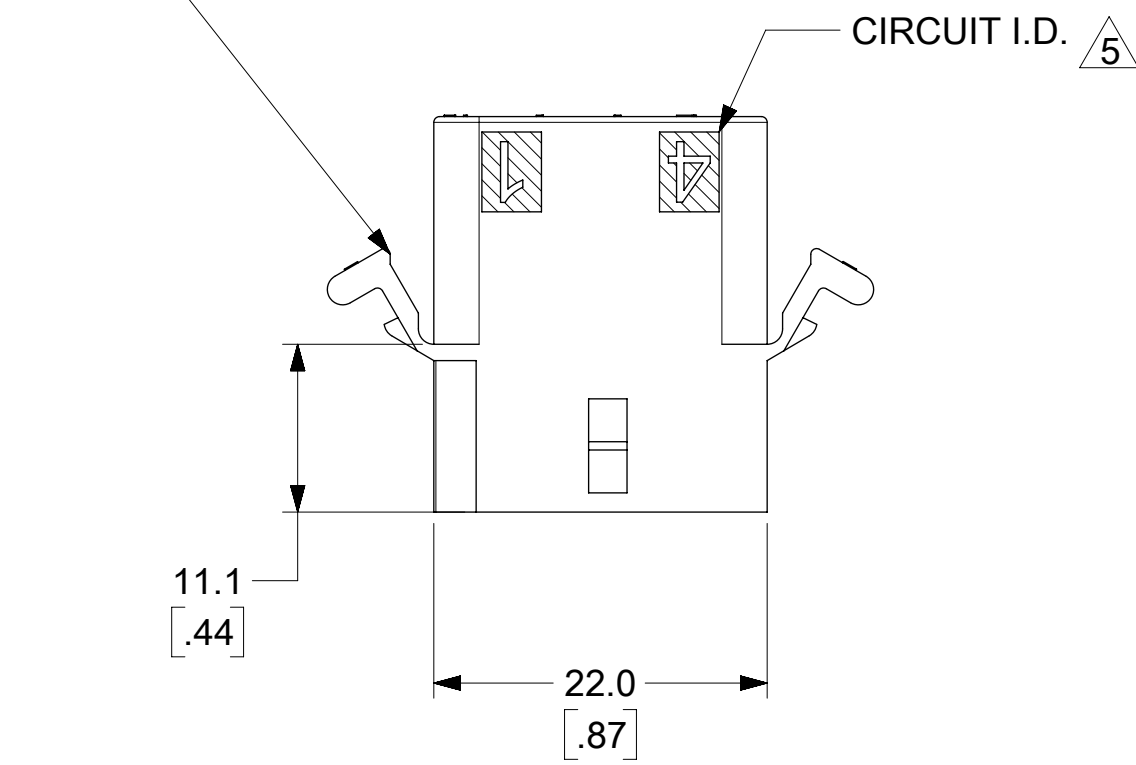
SEE CHART GENERAL MARKET 1 OF 3

RECEPTACLE

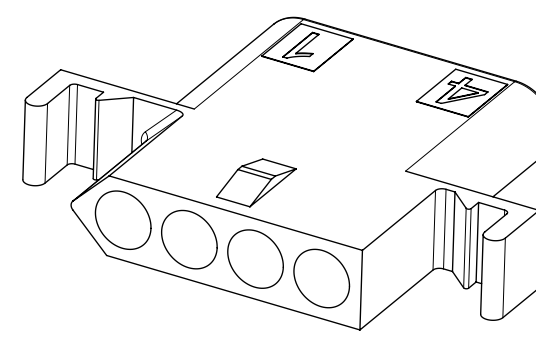


HOUSING MAY HAVE FULL RADIUS OR RADIUSED CORNERS.

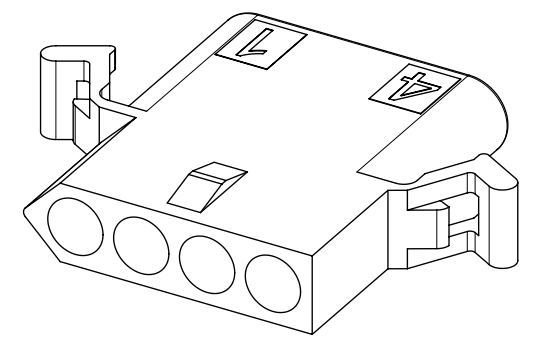
OPTIONAL MOUNTING EAR (2 PL.)
(PREBENT MOUNTING EAR SHOWN)
SEE DETAIL K OR L



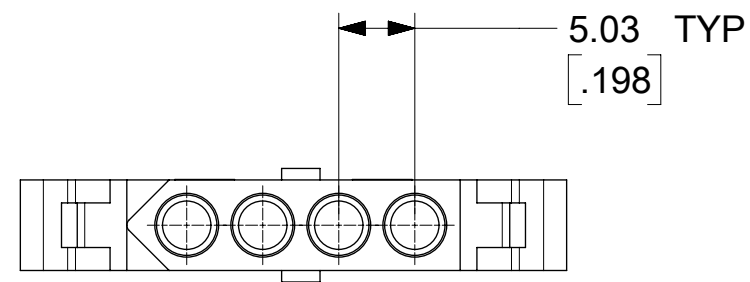
RECEPTACLE HOUSING WITHOUT EARS



RECEPTACLE HOUSING WITH STANDARD EARS



RECEPTACLE HOUSING WITH PREBENT EARS



SYMBOLS	THIS DRAWING CONTAINS INFORMATION THAT IS PROPRIETARY TO MOLEX ELECTRONIC TECHNOLOGIES, LLC AND SHOULD NOT BE USED WITHOUT WRITTEN PERMISSION			
	DIMENSION UNITS	SCALE		CURRENT REV DESC: ADD CAVITY ID
△ = 0	MM/IN	2:1		molex .093/(2.36) HOUSINGS PLUG AND RECEPTACLE PRODUCT CUSTOMER DRAWING
▽ = 0	GENERAL TOLERANCES (UNLESS SPECIFIED)			
▽ = 0		MM	INCH	
▽ = 0	4 PLACES	±	±	
▽ = 0	3 PLACES	±	± 0.01	EC NO: 173421 DRWN: MKIPPER 2018/03/07 CHK'D: JBELL 2018/03/12 APPR: FSMITH 2018/03/16
▽ = 0	2 PLACES	± 0.25	± 0.014	INITIAL REVISION:
▽ = 0	1 PLACE	± 0.35	±	DRWN: CSLAFTER 2017/01/17
▽ = 0	0 PLACES	±	±	APPR: FSMITH 2017/01/29
▽ = 0	ANGULAR TOL	± 0.5 °		DOCUMENT NUMBER: 14900000-SD DOC TYPE: PSD DOC PART: 000 REVISION: A1
▽ = 0	DRAFT WHERE APPLICABLE MUST REMAIN WITHIN DIMENSIONS	THIRD ANGLE PROJECTION	DRAWING: C-SIZE	SERIES: 1490
▽ = 0				MATERIAL NUMBER: SEE CHART CUSTOMER: GENERAL MARKET SHEET NUMBER: 2 OF 3

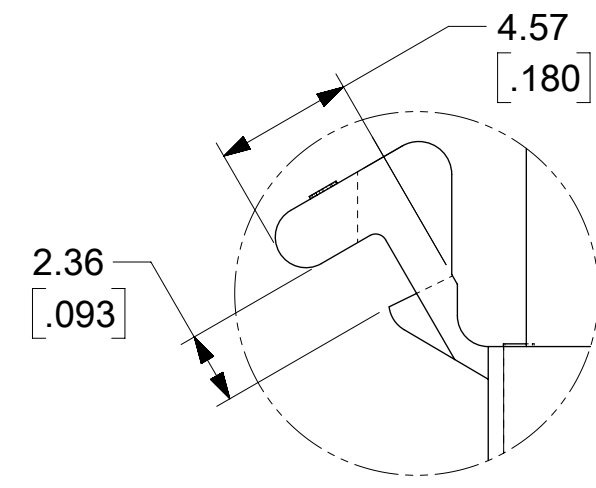
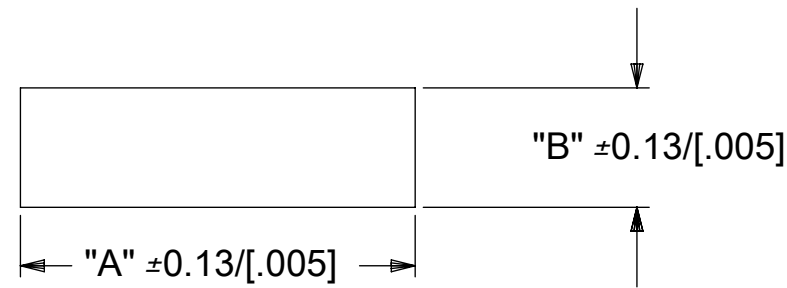
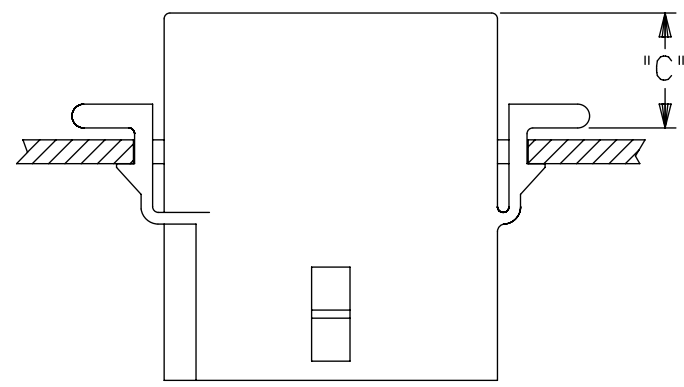
PLUG		RECEPTACLE	
PART NO.	ENG. NO.	PART NO.	ENG. NO.
03-09-2041	1490-P	03-09-1041	1490-R
03-09-2042	1490-P1	03-09-1042	1490-R1
46999-0811	1490-P2	03-09-1043	1490-R2

LEGEND

P = PLUG
R = RECEPTACLE

BLANK = WITH STANDARD EARS
1 = WITHOUT EARS
2 = WITH PREBENT EARS, PER DETAIL L

COLOR: BLANK = NATURAL COLOR
AM = AMBER BK = BLACK BU = BLUE
BN = BROWN GY = GRAY GN = GREEN
OR = ORANGE RD = RED YW = YELLOW

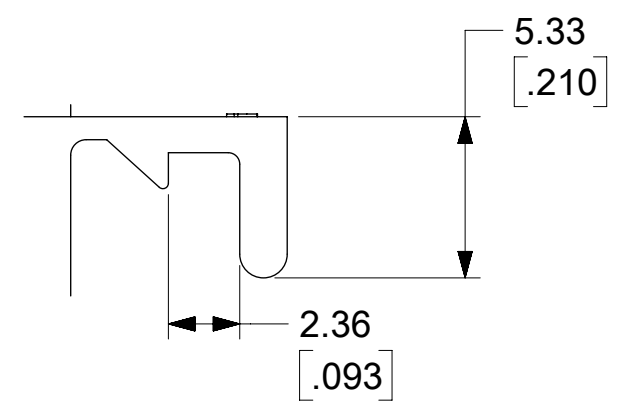
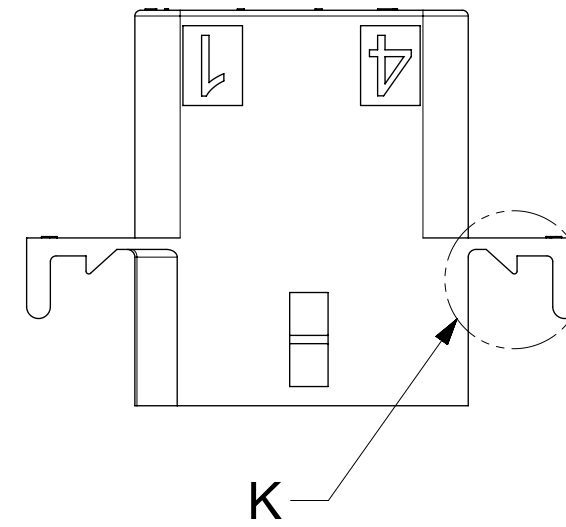


DETAIL L
SCALE 4:1
2.36/[0.093] PREBENT MOUNTING EAR

HOUSING	DIMENSION "A"	DIMENSION "B"	DIMENSION "C"
PLUG	28.73/[1.131]	9.52/[0.375]	9.1/[0.36]
RECEPTACLE	26.36/[1.038]	7.92/[0.312]	9.4/[0.37]

NOTES:

1. MATERIAL: NYLON 6/6 94V-2, COLOR: SEE LEGEND
2. FINISH: NOT APPLICABLE
3. PRODUCT SPECIFICATION: PS-43660-9999
4. PACKAGING SPECIFICATION: PK-1490-001
5. ETCHED CIRCUIT I.D. NUMBERS ON HOUSING SIDE MAY OR MAY NOT BE PRESENT.
6. PARTS CONFORM TO CLASS B REQUIREMENTS OF COSMETIC SPECIFICATION PS-45499-002.
7. TEXT ON PART IS FOR REFERENCE ONLY. TEXT AND TEXT LOCATION MAY VARY DEPENDING ON PART NUMBER AND/OR TOOLING.
8. THIS DRAWING REPLACES SD-1490-*



DETAIL K
SCALE 4:1
2.36/(.093) STANDARD MOUNTING EAR

SYMBOLS	THIS DRAWING CONTAINS INFORMATION THAT IS PROPRIETARY TO MOLEX ELECTRONIC TECHNOLOGIES, LLC AND SHOULD NOT BE USED WITHOUT WRITTEN PERMISSION			
DIMENSION UNITS	SCALE		CURRENT REV DESC: ADD CAVITY ID	
MM/IN	2:1			
GENERAL TOLERANCES (UNLESS SPECIFIED)				
4 PLACES	±	MM	±	INCH
3 PLACES	±	0.25	±	0.014
2 PLACES	±	0.35	±	
1 PLACE	±		±	
0 PLACES	±		±	
ANGULAR TOL	±	0.5°		
DRAFT WHERE APPLICABLE MUST REMAIN WITHIN DIMENSIONS		THIRD ANGLE PROJECTION		
DRAWING		SERIES	MATERIAL NUMBER	
C-SIZE		1490	SEE CHART	
DRWN: MKIPPER		2018/03/07	CUSTOMER	
CHK'D: JBELL		2018/03/12	GENERAL MARKET	
APPR: FSMITH		2018/03/16	SHEET NUMBER	
INITIAL REVISION:		DOCUMENT NUMBER		
DRWN: CSLAFTER		2017/01/17	14900000-SD	
APPR: FSMITH		2017/01/29	DOC TYPE	DOC PART
			PSD	000
			A1	
			REVISION	
			3 OF 3	

molex

.093/(2.36) HOUSINGS PLUG AND RECEPTACLE

PRODUCT CUSTOMER DRAWING