



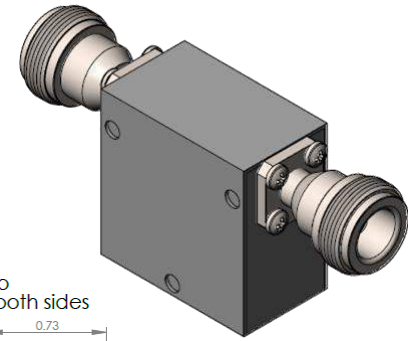
## Part Number: D3I1722N

### Electrical Specifications

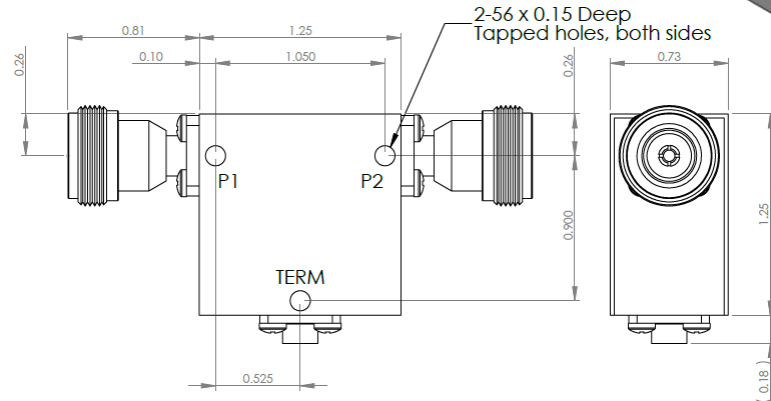
Frequency Range (GHz):	1.7 - 2.2
Isolation (dB):	20 MIN
Insertion Loss (dB):	0.4 MAX
VSWR:	1.25:1 MIN
Forward Power (W):	150 AVG 500 PK
Reflective Power (W):	10 AVG

### Mechanical/Environmental Specifications

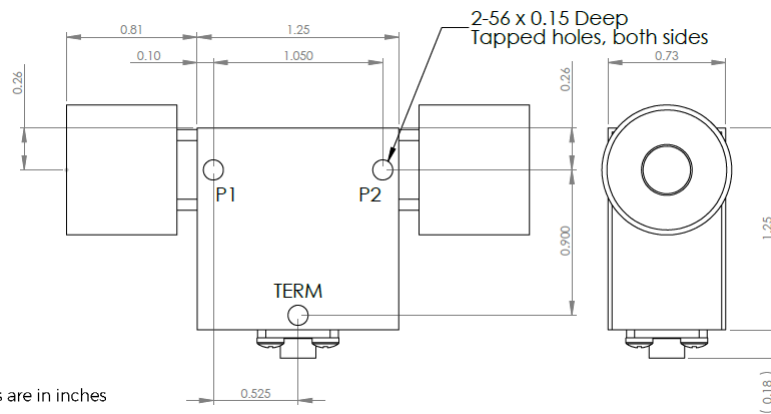
Connector Type:	Type-N
Connector Body:	Nickel plated brass
Connector Pin:	Gold plated copper
Load Body:	Brass
Magnetic Shunt:	Nickel plated CRS
Operational Temp:	-20°C to +65°C
Weight (oz)	2.8 MAX



D3I1722N Dimensions



D3I1722N-3 Dimensions



Dimensions are in inches  
Tolerance

XX	±0.03
XXX	±0.010

Type of Device	PN Suffix	Connector Configuration Input / Output	PN Example
Single and Dual Junction Isolator, 2-Port Device	N/A	Female / Female	D3I1722N
	-1	Male / Female	D3I1722N-1
	-2	Female / Male	D3I1722N-2
	-3	Male / Male	D3I1722N-3



# MEASURED DATA

Part Number: D3I1722N, +25°C

