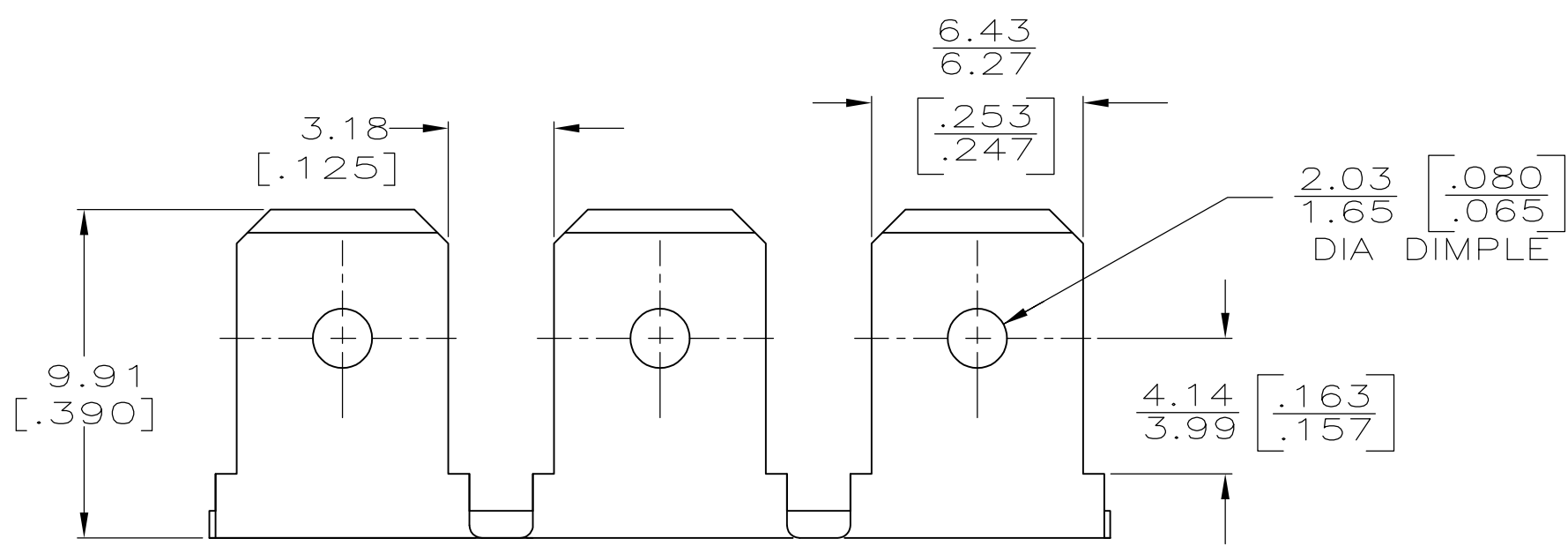
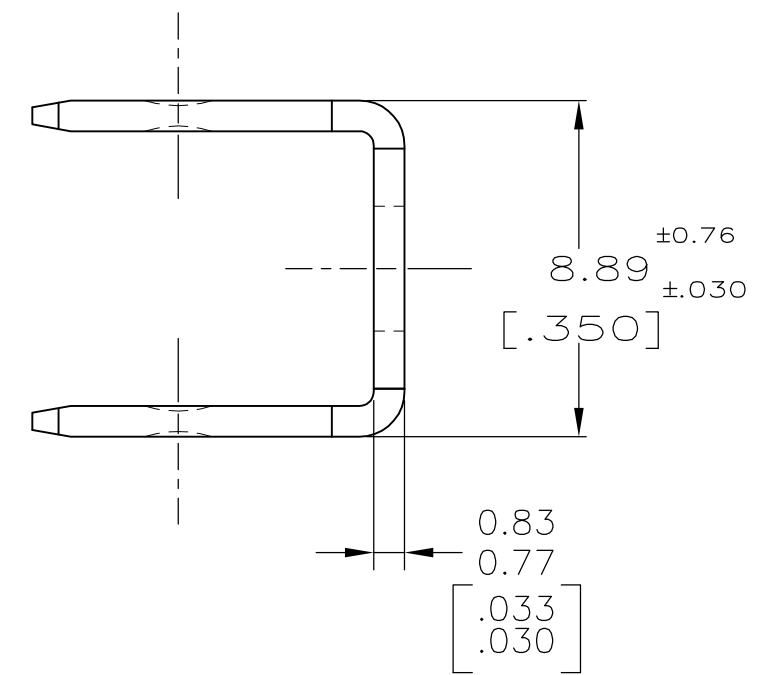
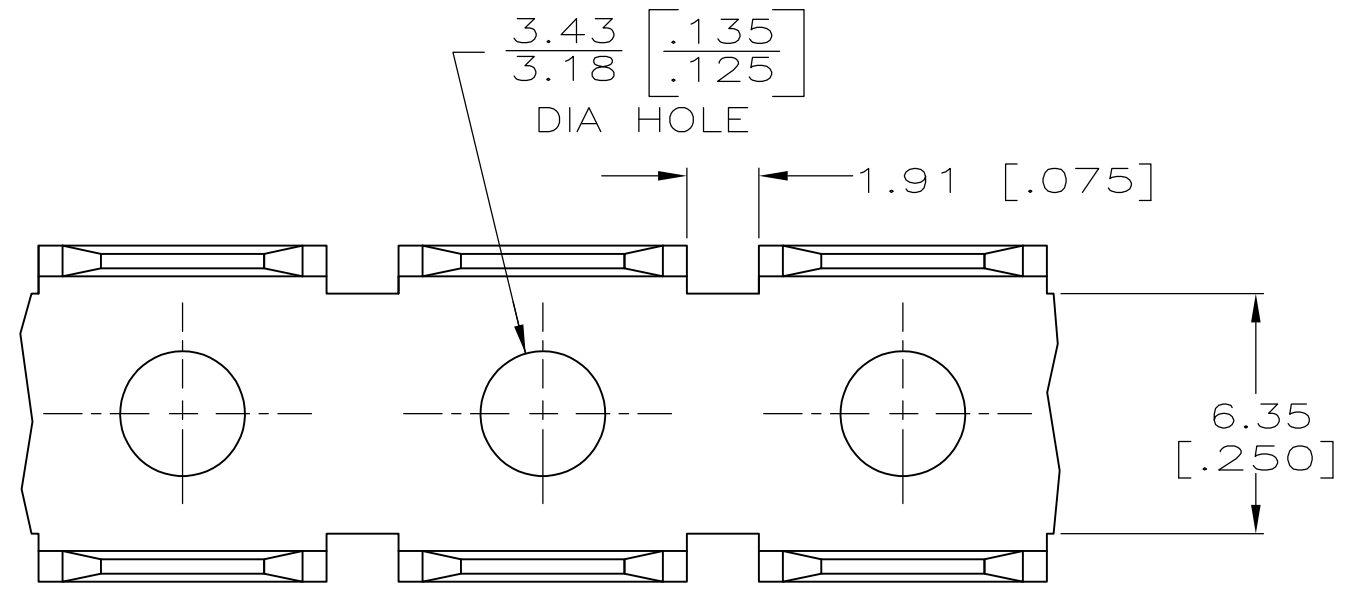



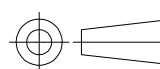
THIS DRAWING IS UNPUBLISHED. RELEASED FOR PUBLICATION  
 © COPYRIGHT - By - ALL RIGHTS RESERVED.

LOC	DIST	REVISIONS			
P	LTR	DESCRIPTION	DATE	DWN	APVD
AF	50	AN	REVISED PER ECR-13-011489	07DEC2013	KH PD

1 CONTINUOUS STRIP ON REELS.



-	42115-6
TIN	42115-4
FINISH	PART NO

THIS DRAWING IS A CONTROLLED DOCUMENT.		DWN	JR RUTH	12/2/91	 TE Connectivity NAME TAB, FASTON, 6.35 $[\text{.250}]$ SERIES
DIMENSIONS: mm [INCHES]		CHK	MS FEHER	12/2/91	
		APVD	MEYERS	12/2/91	
TOLERANCES UNLESS OTHERWISE SPECIFIED: 0 PLC ± - 1 PLC ± - 2 PLC ± - 3 PLC ± 0.38 $[\text{.015}]$ 4 PLC ± - ANGLES ± -		PRODUCT SPEC	-	-	
MATERIAL	BRASS	FINISH	SEE TABLE	APPLICATION SPEC	-
WEIGHT		-		SIZE	A3
CUSTOMER DRAWING		SCALE		5:1	SHEET
RESTRICTED TO		-		CAGE CODE	00779
REV		AN		DRAWING NO	C-42115
SHEET		1 OF 1			