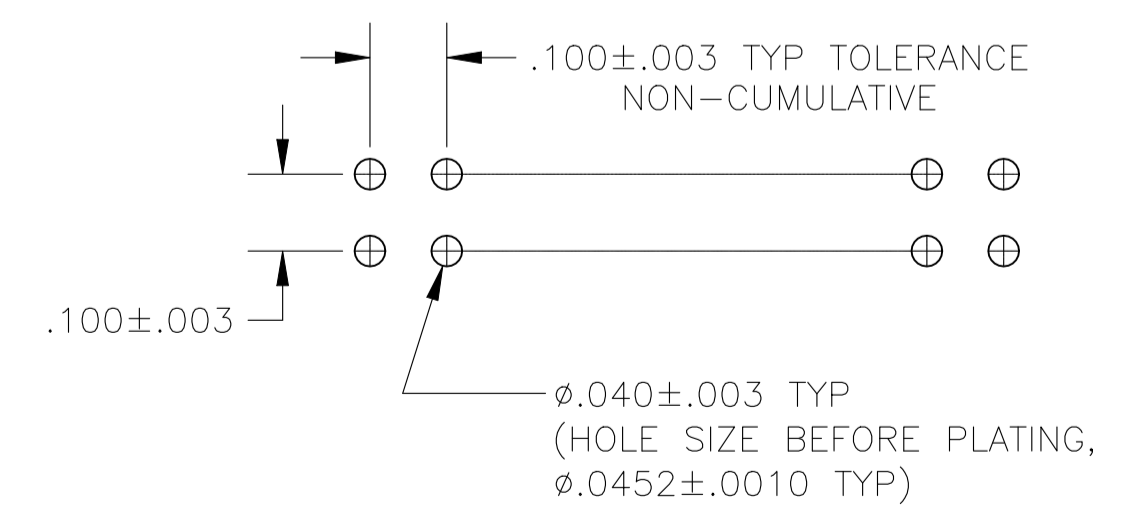
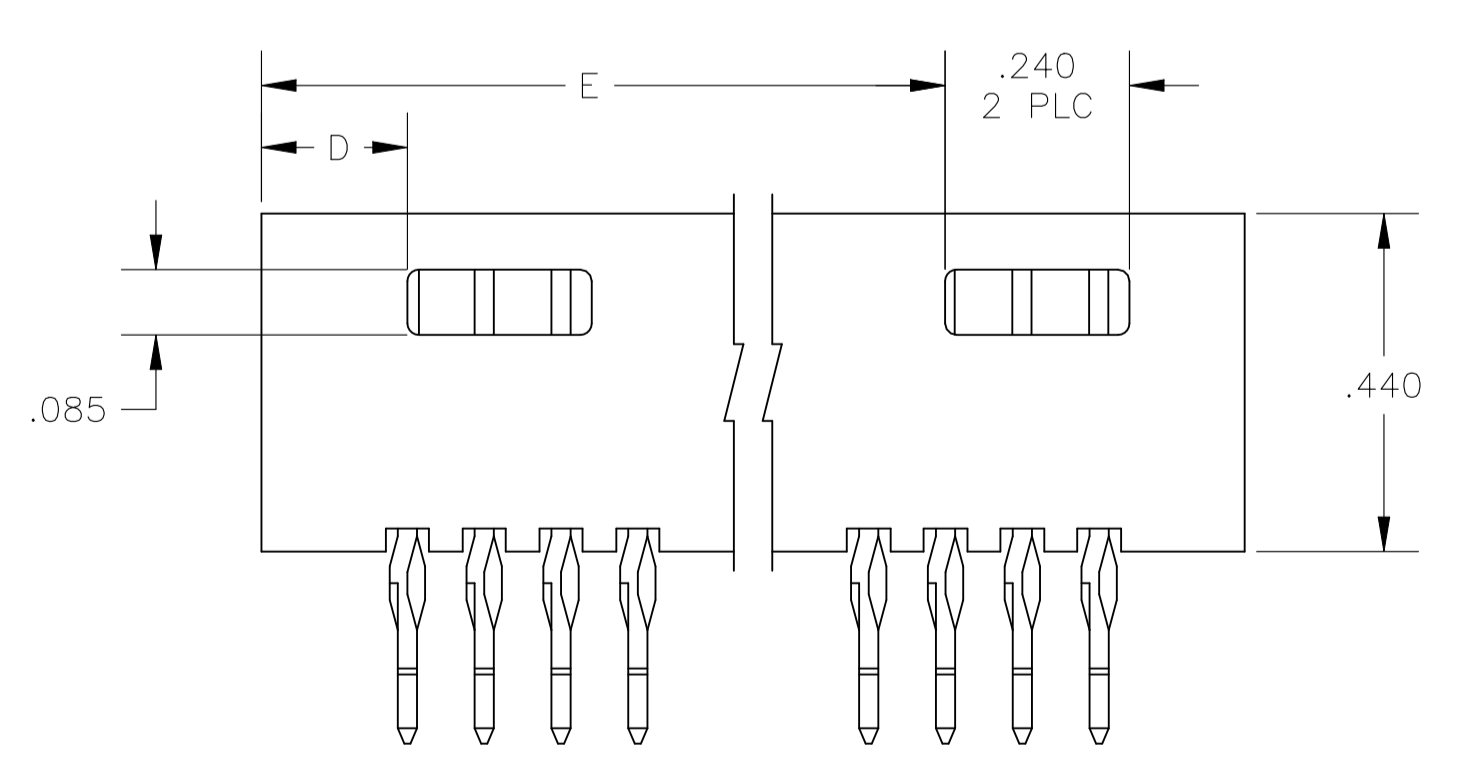
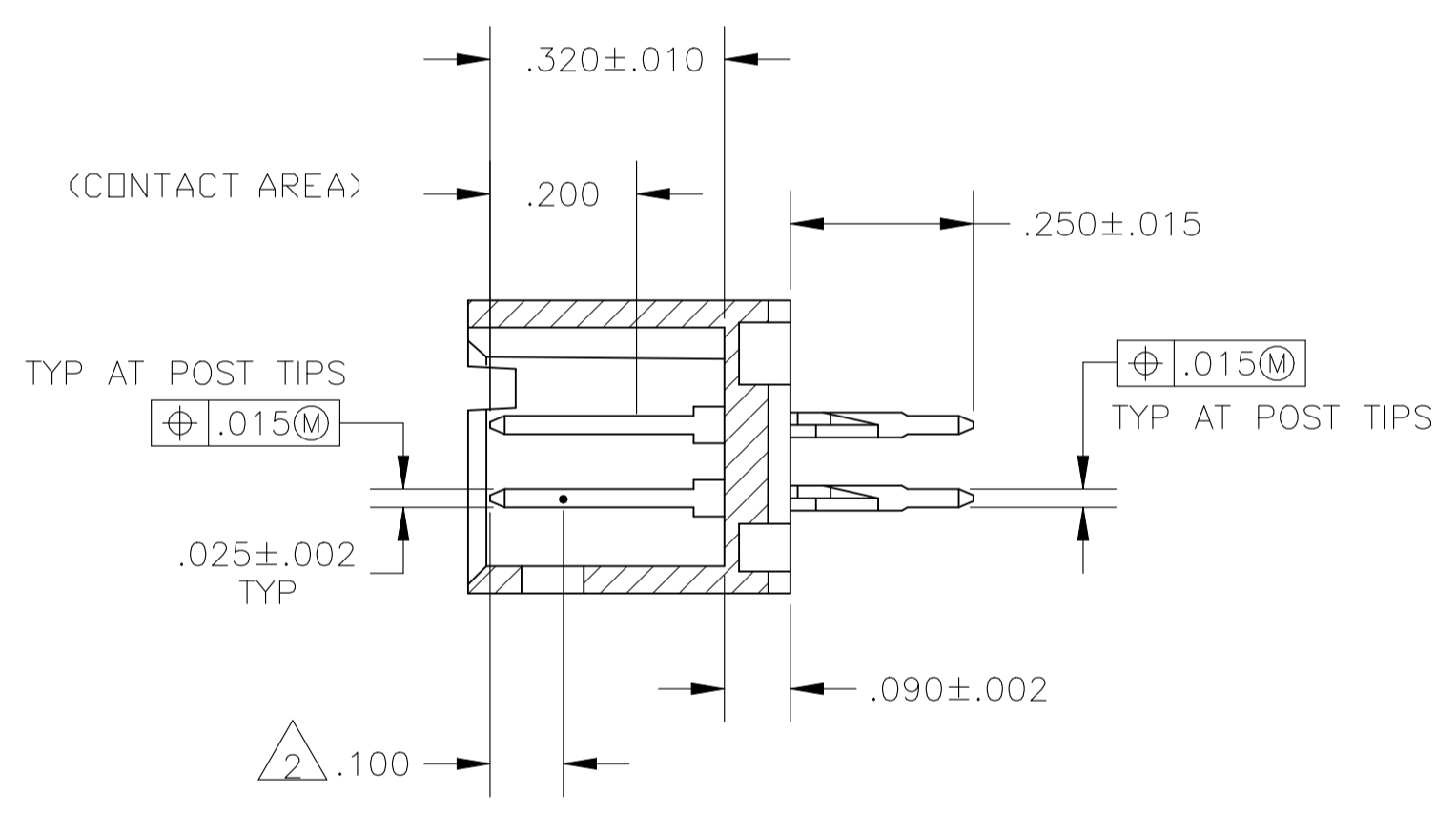
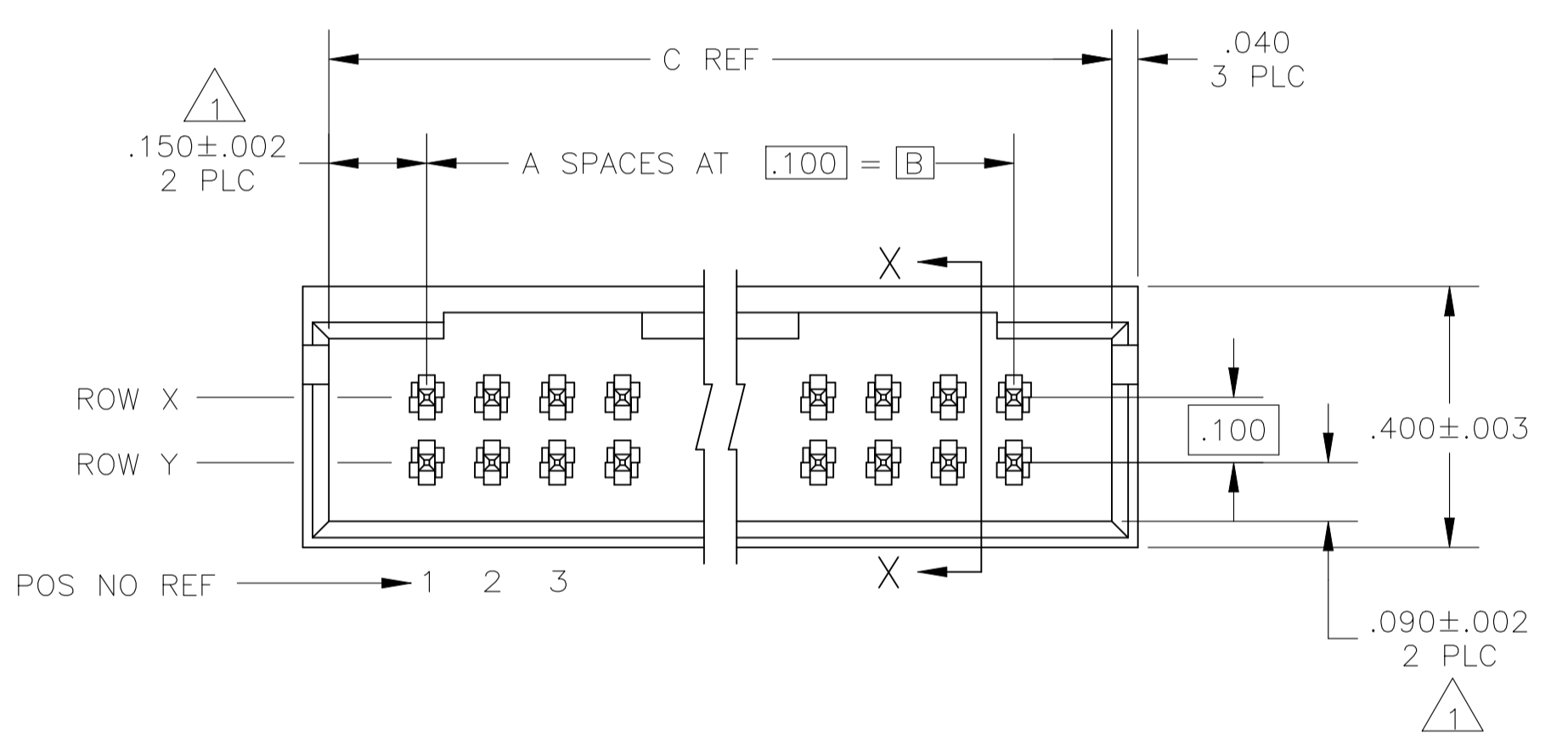
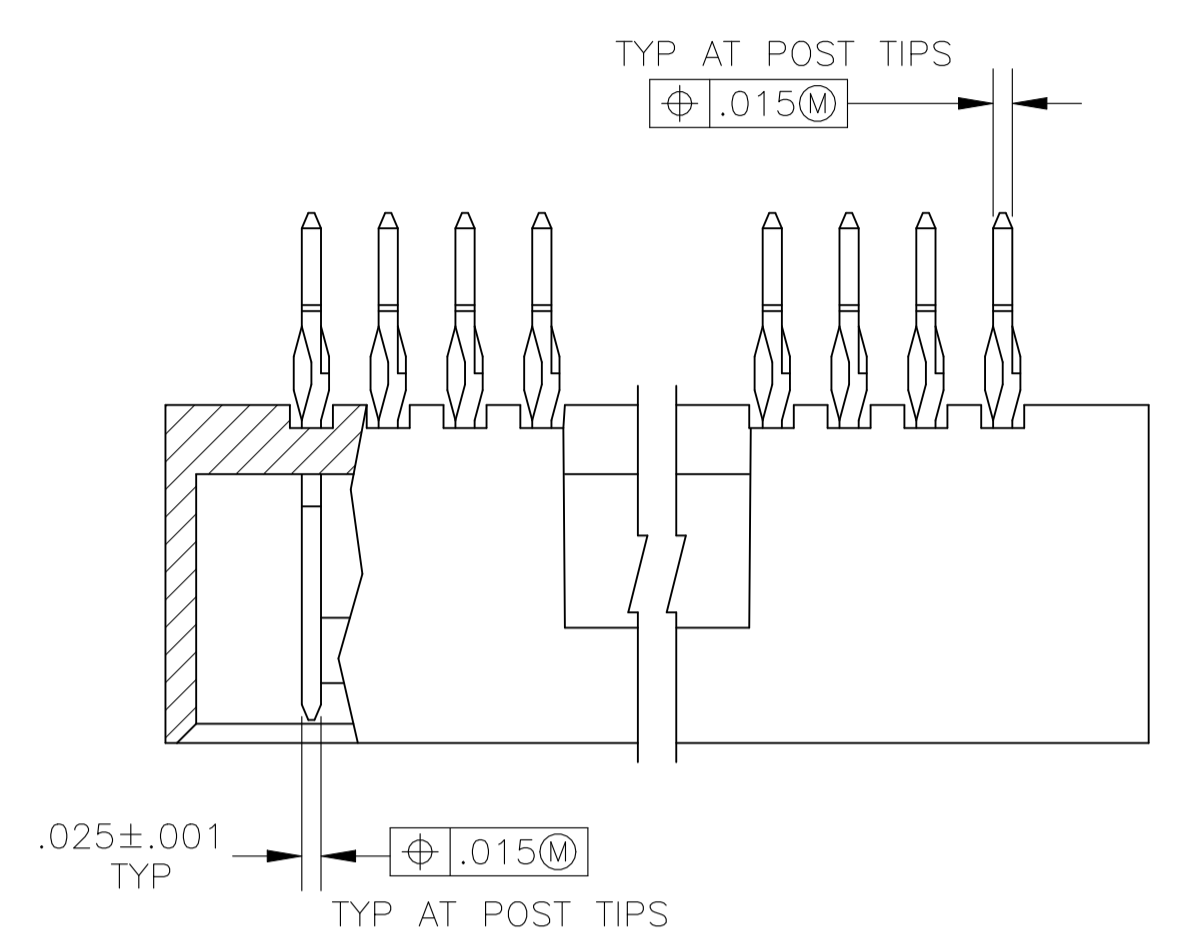


| REVISIONS | | | | | |
|-----------|-----|---------------------------------------|-----------|-----|------|
| P | LTR | DESCRIPTION | DATE | DRN | APVD |
| P | | RESIN SUPPLIER CHANGE FOR THE HOUSING | 15DEC2021 | SCB | KJK |

- 1 THE NOTED DIMENSIONS APPLY AT THE INTERSECTION OF THE POST AND HOUSING
- 2 POINT OF MEASUREMENT FOR PLATING THICKNESS
- 3 POSTS: .000030 GOLD IN CONTACT AREA, .000100-.000200 MATTE TIN-LEAD ON THE SOLDER TAIL, ALL OVER .000050 NICKEL
- 4 POSTS: .000030 GOLD IN CONTACT AREA, .000100-.000200 MATTE TIN ON THE SOLDER TAIL, ALL OVER .000050 NICKEL
- 5 OBSOLETE PARTS: OBSOLETE CIS STREAMLINING PER D.RENAUD/D.SINISI



RECOMMENDED HOLE LAYOUT

| | | | | | | | | | | |
|----------|----------|------|------|-------|-------|-------|-------|----|------------|------------|
| 5 | OBSOLETE | 5 | NONE | .890 | .190 | 1.200 | .900 | 9 | 20 | 7-102557-9 |
| 5 | OBSOLETE | NONE | NONE | 1.090 | .190 | 1.400 | 1.100 | 11 | 24 | 6-102557-7 |
| 5 | OBSOLETE | NONE | NONE | .490 | 1.100 | .800 | 8 | 18 | 6-102557-5 | |
| | | NONE | NONE | .390 | 1.000 | .700 | 7 | 16 | 6-102557-4 | |
| 5 | OBSOLETE | NONE | NONE | .390 | .900 | .600 | 6 | 14 | 6-102557-3 | |
| 5 | OBSOLETE | NONE | NONE | .290 | .800 | .500 | 5 | 12 | 6-102557-2 | |
| | | NONE | NONE | .190 | .600 | .300 | 3 | 8 | 6-102557-1 | |
| | | NONE | NONE | .190 | .500 | .200 | 2 | 6 | 6-102557-0 | |
| | | NONE | NONE | .290 | .700 | .400 | 4 | 10 | 5-102557-9 | |
| | | NONE | NONE | 2.890 | .190 | 3.200 | 2.900 | 29 | 60 | 5-102557-7 |
| 5 | OBSOLETE | NONE | NONE | 2.390 | .190 | 2.700 | 2.400 | 24 | 50 | 5-102557-6 |
| 5 | OBSOLETE | NONE | NONE | 1.590 | .190 | 1.900 | 1.600 | 16 | 34 | 5-102557-5 |
| 5 | OBSOLETE | NONE | NONE | 1.390 | .190 | 1.700 | 1.400 | 14 | 30 | 5-102557-4 |
| 5 | OBSOLETE | NONE | NONE | 1.190 | .190 | 1.500 | 1.200 | 12 | 26 | 5-102557-3 |
| | | NONE | NONE | .890 | .190 | 1.200 | .900 | 9 | 20 | 5-102557-2 |
| | | NONE | NONE | 1.890 | .190 | 2.200 | 1.900 | 19 | 40 | 5-102557-1 |
| 5 | OBSOLETE | 5 | NONE | .890 | .190 | 1.200 | .900 | 9 | 20 | 2-102557-9 |
| OBSOLETE | | NONE | NONE | 2.790 | .190 | 3.100 | 2.800 | 28 | 58 | 2-102557-8 |
| OBSOLETE | | NONE | NONE | 2.690 | .190 | 3.000 | 2.700 | 27 | 56 | 2-102557-7 |
| OBSOLETE | | NONE | NONE | 2.590 | .190 | 2.900 | 2.600 | 26 | 54 | 2-102557-6 |
| OBSOLETE | | NONE | NONE | 2.490 | .190 | 2.800 | 2.500 | 25 | 52 | 2-102557-5 |
| OBSOLETE | | NONE | NONE | 2.290 | .190 | 2.600 | 2.300 | 23 | 48 | 2-102557-4 |
| OBSOLETE | | NONE | NONE | 2.190 | .190 | 2.500 | 2.200 | 22 | 46 | 2-102557-3 |
| OBSOLETE | | NONE | NONE | 1.990 | .190 | 2.300 | 2.000 | 20 | 42 | 2-102557-2 |
| OBSOLETE | | NONE | NONE | 1.790 | .190 | 2.100 | 1.800 | 18 | 38 | 2-102557-1 |
| OBSOLETE | | NONE | NONE | 1.690 | .190 | 2.000 | 1.700 | 17 | 36 | 2-102557-0 |
| OBSOLETE | | NONE | NONE | 1.490 | .190 | 1.800 | 1.500 | 15 | 32 | 1-102557-9 |
| OBSOLETE | | NONE | NONE | 1.290 | .190 | 1.600 | 1.300 | 13 | 28 | 1-102557-8 |
| 5 | OBSOLETE | NONE | NONE | 1.090 | .190 | 1.400 | 1.100 | 11 | 24 | 1-102557-7 |
| OBSOLETE | | NONE | NONE | .990 | .190 | 1.300 | 1.000 | 10 | 22 | 1-102557-6 |
| 5 | OBSOLETE | NONE | NONE | .490 | 1.100 | .800 | 8 | 18 | 1-102557-5 | |
| | | NONE | NONE | .390 | 1.000 | .700 | 7 | 16 | 1-102557-4 | |
| | | NONE | NONE | .390 | .900 | .600 | 6 | 14 | 1-102557-3 | |
| | | NONE | NONE | .290 | .800 | .500 | 5 | 12 | 1-102557-2 | |
| | | NONE | NONE | .190 | .600 | .300 | 3 | 8 | 1-102557-1 | |
| | | NONE | NONE | .190 | .500 | .200 | 2 | 6 | 1-102557-0 | |
| | | NONE | NONE | .290 | .700 | .400 | 4 | 10 | 102557-9 | |
| OBSOLETE | | NONE | NONE | 2.090 | .190 | 2.400 | 2.100 | 21 | 44 | 102557-8 |
| | | NONE | NONE | 2.890 | .190 | 3.200 | 2.900 | 29 | 60 | 102557-7 |
| | | NONE | NONE | 2.390 | .190 | 2.700 | 2.400 | 24 | 50 | 102557-6 |
| 5 | OBSOLETE | NONE | NONE | 1.590 | .190 | 1.900 | 1.600 | 16 | 34 | 102557-5 |
| | | NONE | NONE | 1.390 | .190 | 1.700 | 1.400 | 14 | 30 | 102557-4 |
| | | NONE | NONE | 1.190 | .190 | 1.500 | 1.200 | 12 | 26 | 102557-3 |
| | | NONE | NONE | .890 | .190 | 1.200 | .900 | 9 | 20 | 102557-2 |
| | | NONE | NONE | 1.890 | .190 | 2.200 | 1.900 | 19 | 40 | 102557-1 |

| PLATING | ROW Y | ROW X | E | D | C | B | A | NO OF POSN | ASSEMBLY PART NUMBER |
|---------|-------|-------|---|---|---|---|---|------------|----------------------|
| | | | | | | | | | |

THIS DRAWING IS A CONTROLLED DOCUMENT. DIN H MOLL 16JUL87
 DIMENSIONS: INCHES TOLERANCES UNLESS OTHERWISE SPECIFIED: 0 PLC ± - 1 PLC ± - 2 PLC ± - 3 PLC ± .005 4 PLC ± - ANGLES ± -
 MATERIAL: HOUSING: FLAME RETARDANT THERMOPLASTIC, COLOR:BLACK POSTS: CU-NI-Sn FINISH: SEE TABLE
 CUSTOMER DRAWING SCALE 4:1 SHEET 1 of 1 REV P

DIN H MOLL 16JUL87
 CHK L A MAYER 16JUL87
 APVD T C CLARK 16JUL87
 NAME
 PRODUCT SPEC
 APPLICATION SPEC
 SIZE CAGE CODE DRAWING NO. RESTRICTED TO
 WEIGHT A1 00779 C=102557
 CUSTOMER DRAWING SCALE 4:1 SHEET 1 of 1 REV P

STE TE Connectivity
 HDR ASSY, MOD II, COMPLIANT
 PIN, DBL ROW, .100X.100 C/L,
 4 SIDED SHROUD