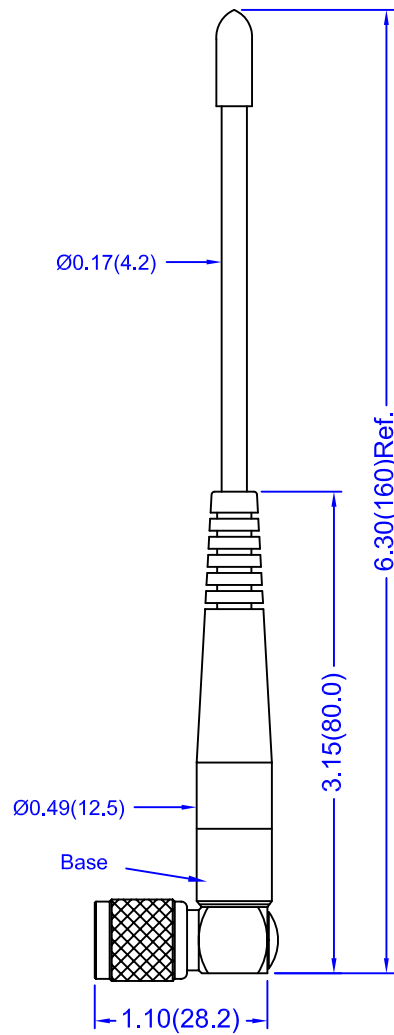


SMA type Connector



TNC plug Connector

Electrical Properties:

Frequency Range: 867~869MHz
 Impedance: 50Ω nominal
 VSWR: <2.0:1
 Gain: 2.5 dBi
 Radiation: Omni
 Polarization: Vertical
 Wave: ½wave loaded

Mechanical Properties:

Material:
 Whip: Wire (Black)
 Base: Polyacetal(Black)
 Connector: Brass with nickel plating(Black)
 Operation Temp.: -20°C to +65°C
 Storage Temp.: -30°C to +75°C

This is a RoHS compliant product.

| Connector Code -XX- | Description | P / N |
|------------------------|---------------------------|-------------|
| AM | SMA Plug | S161AM-868R |
| AH | SMA Plug Reverse Polarity | S161AH-868R |
| TC | TNC Plug | S161TC-868R |
| BC | BNC Plug | S161BC-868R |

Series Part Numbers

| | | | | |
|---------|--|-------------|-----------|--------|
| TITLE | EURO ISM Band Right Angle Antenna -161 Model | | Rev. Date | SHEET |
| | | | 11/02/11 | 1 OF 1 |
| UNIT | DWG. NO. | S161XX-868R | | |
| in.(mm) | | | | |
| SCALE | | | | |
| none | | | | |

NEARSON