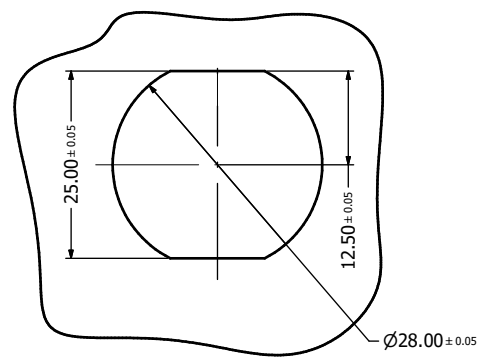
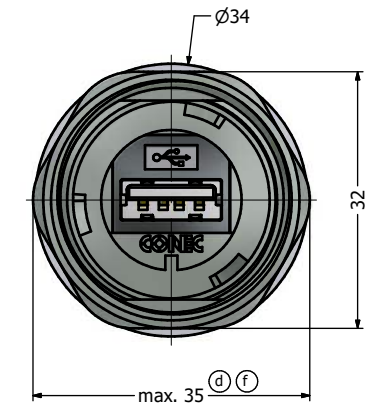
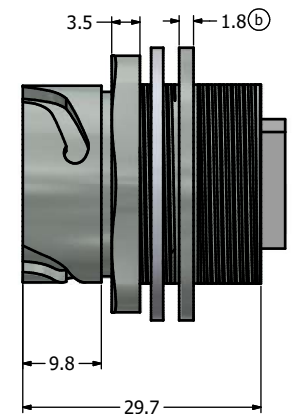
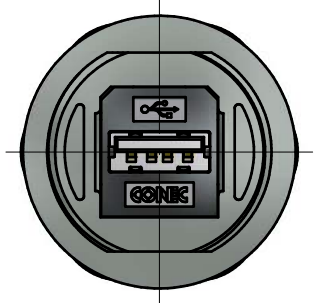
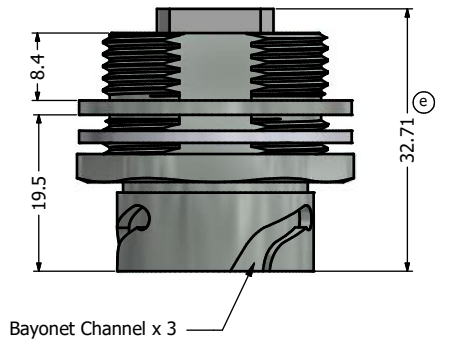
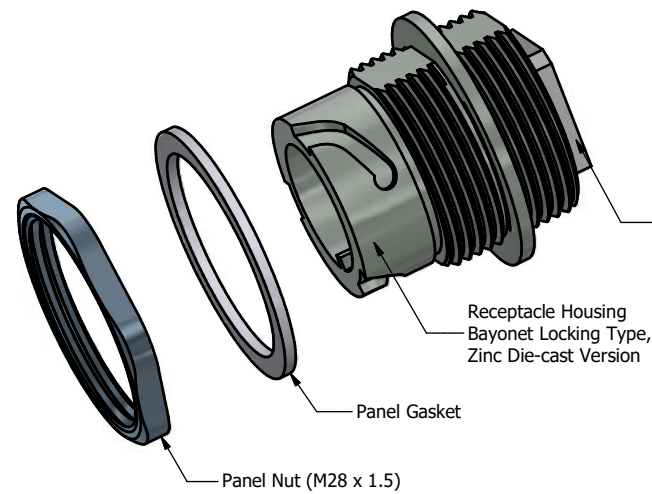


Recommended Single-D [Ⓒ] Panel Cutout



Recommended Double-D [Ⓓ] Panel Cutout



- Notes:**
- Electrical Specifications:
 - Meets USB 2.0 Specification
 - Contact Resistance: 30 mOhm max.
 - Insulation Resistance: 1000 MOhm min. @ 100 VDC

- Current Rating: 1.5 A max. at 25° C
 - Working Voltage: 30 V (RMS) max.
 - DWV: 500 VAC/60s at sea level
 - Operating Temperature: -40° C to +85° C
- Material and Finish:
 - Receptacle Housing: Zinc Die-Cast, Nickel Plated
 - Panel Nut: Brass, Finish: Nickel Plated
 - Panel Gasket: Silicon, Color: White
 - USB Adaptor Insulator: PBT, UL94 V-0, Black
 - USB Adaptor Metal Shell: Copper Alloy, Nickel Plated
 - USB Adaptor Overmold material: PBT UL94 V-0, Color: Black
 - USB Contacts: Copper Alloy, Finish: 30 u" Gold min. over Nickel

- Connector can be front or rear mounted to a maximum panel thickness of 3.2 mm.
- IP67 rated when fully mated with appropriate mating connector

Pin-Assignment

Type A Female	Type A Female
Pin1 -----	Pin1
Pin2 -----	Pin2
Pin3 -----	Pin3
Pin4 -----	Pin4
Shell -----	Shell

RoHS compliant

THIS DRAWING MAY NOT BE COPIED OR REPRODUCED IN ANY MANNER WITHOUT THE WRITTEN PERMISSION OF CONEC CORPORATION. OWNERSHIP AND COPYRIGHT OF CONEC CORPORATION.	Customer:			Tolerance Unless otherwise specified			Scale: NTS	Dim. in mm						
	<table border="1"> <thead> <tr> <th>Name</th> <th>Title</th> <th>Approval Date</th> </tr> </thead> <tbody> <tr> <td> </td> <td> </td> <td> </td> </tr> </tbody> </table>			Name	Title		Approval Date				0 PLC ±0.50	1 PLC ±0.38	Autodesk Inventor	Material: See Notes
	Name	Title	Approval Date											
	1 x f	A21-0426	26.10.2021	Bub	2010	Date	Vincent Ke	IP67 USB Receptacle Assembly Kit with USB 2.0 Type A F/ F Adaptor Nickel Plated Zinc Die-Cast Version						
	e	1 x e	May/15/2013	Vincent Ke	Appd.	Mar. 16	J. Chaudry		Drawing No.: 17K1A155					
	d	2 x d	Mar/02/2011	Vincent Ke	Norm			Part No.: 17-200601						
	c	1 x c	Jan/28/2011	Vincent Ke	D-old				DIN A3					
	b	1 x b	May/31/2010	Vincent Ke				Sheet 1/1						
	a	original												
Rev	Changes	Date	Name											