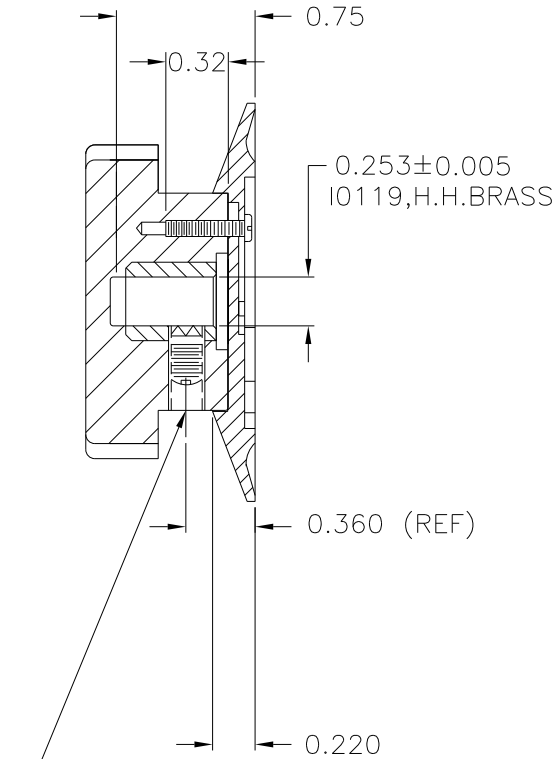
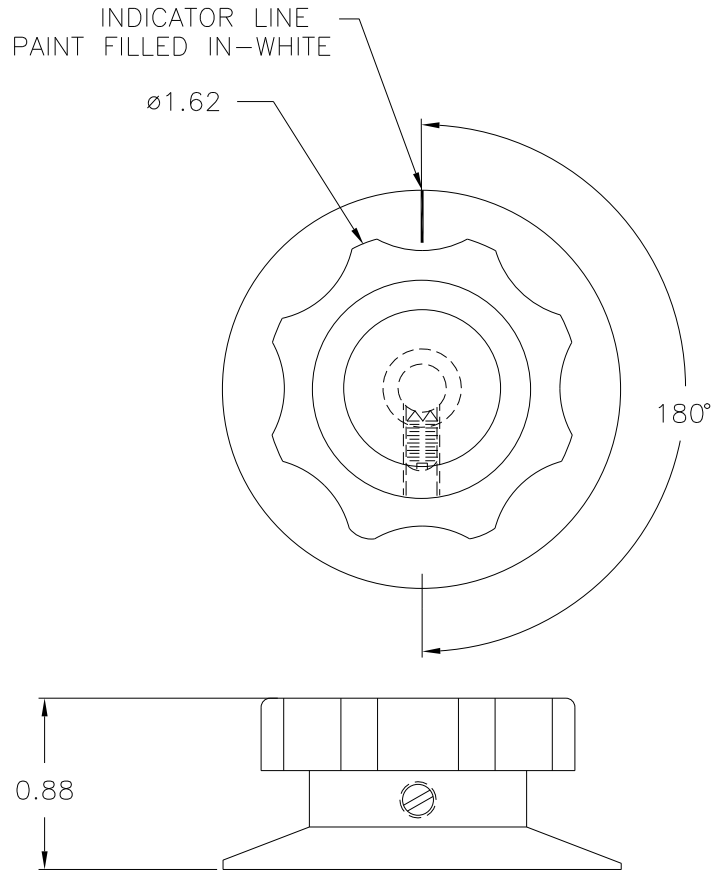
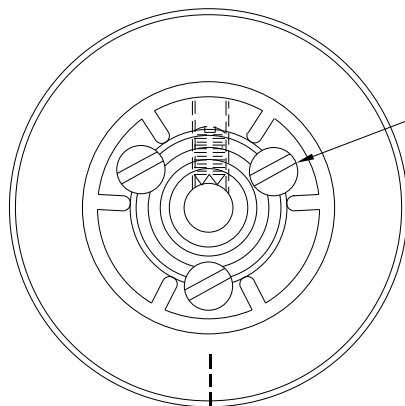


P/N 4108BJ	
BASE PART	4102-03
SKIRT	4112AJ
SCREWS	I0123
SET SCREW	I0120

THIS DRAWING IS THE PROPERTY OF DAVIES MOLDING COMPANY, IS SUBMITTED SOLELY AS A DESIGN OR ENGINEERING PROJECT. WE ACCEPT NO RESPONSIBILITY WHATSOEVER FOR THE PRACTICAL APPLICATION OF THE PIECES MADE TO THIS DESIGN.



10-32 X 5/16 LG. CUP POINTED, HEADLESS, SLOTTED TYPE, SET SCREWS, I0120 (1)



- (A) #32 DRILL I0123
- # 6 SELF TAPPING SCREWS (3)

(B) MATERIAL: #4311 PHENOLIC (B41)
COLOR: BLACK

TOLERANCES: UNLESS OTHERWISE SPECIFIED	DO NOT SCALE DRAWING	B	WAS G.P. PHENOLIC (B11)	JAM	4/11/16
DECIMALS: X.XXX ± .005 X.XX ± .015	MM: X.XX ± 0.15MM X.X ± 0.4MM	A	ADDED DRILL	JAM	12/26/12
FRACTIONS ± 1/64	ANG. ± 1°	-	UPDATED TOOLBOX	JAM	2/20/03
CHANGES					