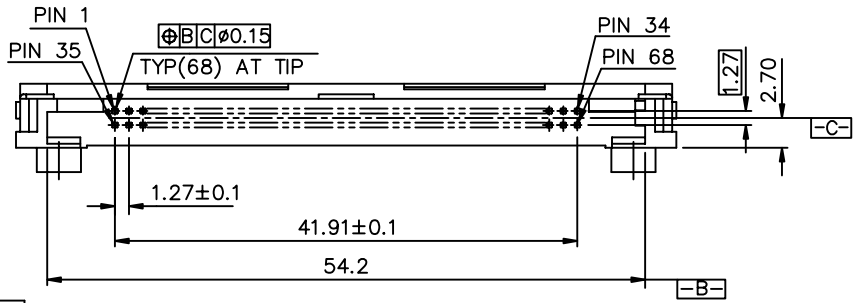
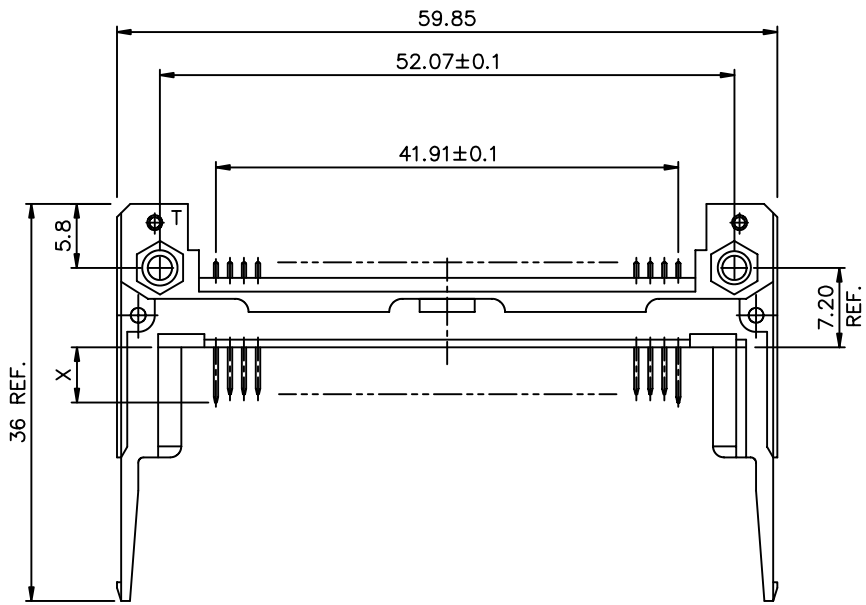
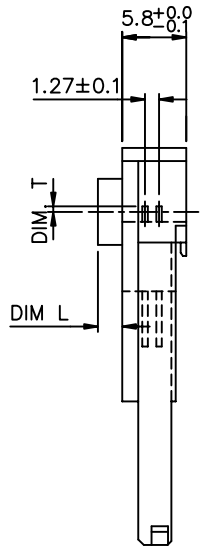


Tous droits strictement réservés. Reproduction ou communication à des tiers sans autorisation écrite du propriétaire. Droits de reproduction BERG ELECTRONICS by

All rights strictly reserved. Reproduction or issue to third parties in any form without written authority from the proprietor. Copyright BERG ELECTRONICS by



- 61128- □ □ □ □ LF
- LEAD FREE
- B: FOR BOSCH-TELECOM
  - N: FOR CANON
  - V: FOR VALLEY GREEN
  - C: FOR CISCO
- STAND-OFF
- |    |          |
|----|----------|
| 00 | : 0.0 mm |
| 20 | : 2.0 mm |
| 22 | : 2.2 mm |
| 30 | : 3.0 mm |
| 40 | : 4.0 mm |
| 43 | : 4.3 mm |
| 50 | : 5.0 mm |
- UPPER DECK : 5
- LOWER DECK : 0
- TOP MOUNT : 0
- BOTTOM MOUNT : 5

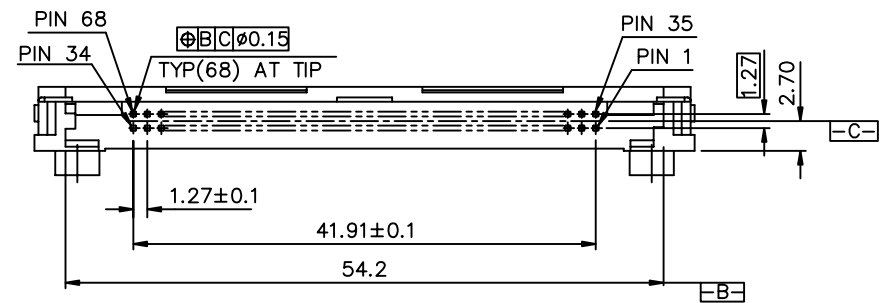
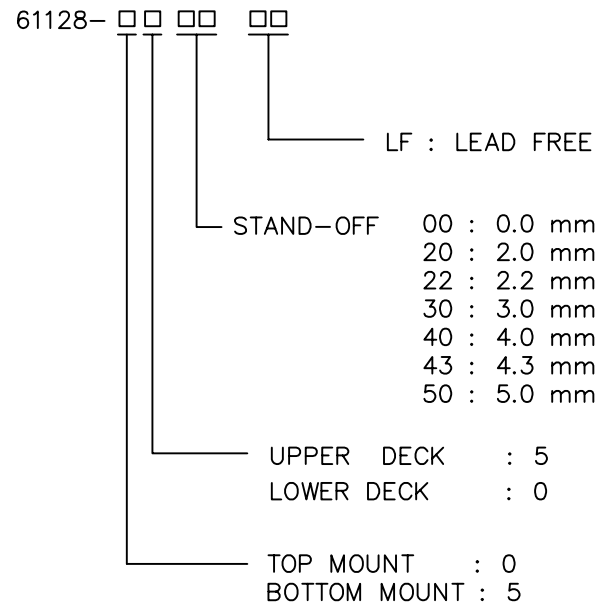
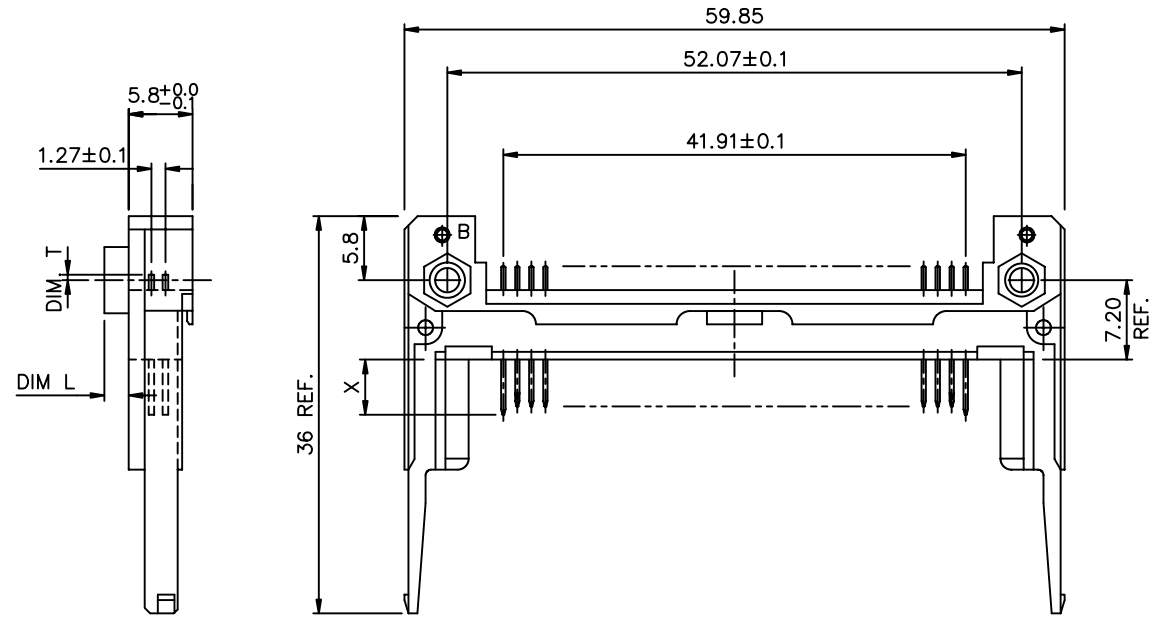
PRODUCT NO	DIM. L	DIM. T±0.10
61128-0543C/0543CLF	0.0	7.5
61128-0050C/0050CLF	5.0	0.6
61128-0043C/0043CLF	4.3	0.6
61128-0022C/0022CLF	2.2	0.6
61128-0022B/0022BLF	2.2	0.6
61128-0022/0022LF	2.2	0.6
61128-0543/0543LF	0.0	7.5
61128-0500/0500LF	0.0	10.9
61128-0100/0100LF	0.0	3.0
61128-0050N/0050NLF	5.0	0.6
61128-0040/0040LF	4.0	0.6
61128-0043/0043LF	4.3	0.6
61128-0050/0050LF	5.0	0.6
61128-0022V/0022VLF	2.2	3.0

DIM "X"			
PIN NUMBER	4.25±0.1	3.5±0.1	5.0±0.1
	OTHERS	36,67	1,17,34 35,51,68

mat'l code		tolerance unless otherwise specified		CUSTOMER COPY		 www.fciconnect.com		
rev.	ecn no.	dr	date	linear	±0.30	projection	title	
K	T03-0389	W L	09/10/03					
L	N04-0030	P H	07/21/04	angles	± 2'		68POS. EJECTOR HEADER HEADER ASS'Y	
M	N05-0140	W B	05/31/05					
		dr	WENDY CHEN	07/11/95	unit	product family		
		enr	L.W. LU	07/11/95	mm/inch	PMCA	code	
		chr	JOSEPH HSIA	07/11/95	size	dwg no.	sheet	
		appd	JENN TSAO	07/11/95	scale	61128		1 of 2
sheet	revision	M	L					
index	sheet	1	2					

Tous droits strictement réservés. Reproduction ou communication à des tiers sans autorisation écrite du propriétaire.  
 Droits de reproduction BERG ELECTRONICS by

All rights strictly reserved. Reproduction or issue to third parties in any form without written authority from the proprietor.  
 Copyright BERG ELECTRONICS by



DIM "X"			
PIN NUMBER	4.25±0.1	3.5±0.1	5.0±0.1
OTHERS	36,67	1,17,34	35,51,68

61128-5022/5022LF	2.2	0.6
61128-5543/5543LF	0.0	7.5
61128-5500/5500LF	0.0	10.9
61128-5043/5043LF	4.3	0.6
61128-5050/5050LF	5.0	0.6
PRODUCT NO	DIM. L	DIM. T±0.10

mat'l code	tolerance unless otherwise specified	CUSTOMER COPY	www.fciconnect.com	
rev. ecn no. dr date	linear ±0.30	projection	title 68POS. EJECTOR HEADER HEADER ASS'Y	
L	angles ± 2'		product family PCMDA code	
	dr WENDY CHEN 10/16/01	unit mm/inch	size	dwg no.
	enr MINERVA WANG 10/16/01	scale 2:1	A3	61128
	chr MINERVA WANG 10/16/01			sheet 2 of
	appd JENN TSAO 10/16/01			
sheet revision index	sheet			