

QPD T 4PE6,0 3X9-14 BK - T distributor



1411414

<https://www.phoenixcontact.com/us/products/1411414>

Please be informed that the data shown in this PDF document is generated from our online catalog. Please find the complete data in the user documentation. Our general terms of use for downloads are valid.

QUICKON T-distributor, black, 4+PE-pos., 2.5 mm² ... 6.0 mm²/690 V/40 A, for cable diameter of 9 mm ... 14 mm, with three QUICKON nuts



Your advantages

- Innovative and time saving - QUICKON fast connection for time saving of up to 80 % for on-site connection
- Robust throughout: housing with IP68/IP69K and IK07 protection for a wide range of applications
- Safer connection with mechanical coding to protect against mismatching, and touch-proof protection in accordance with DIN EN 0105
- Flexible and compact - by connecting connections internally, H and T-distributors can be used to branch master cables or they can be used as star distributors

Commercial data

Item number	1411414
Packing unit	1 pc
Minimum order quantity	1 pc
Sales key	BF50
Product key	BF6DCC
Catalog page	Page 490 (C-2-2019)
GTIN	4046356931960
Weight per piece (including packing)	397.1 g
Weight per piece (excluding packing)	397.1 g
Customs tariff number	85366990
Country of origin	PL

1411414

<https://www.phoenixcontact.com/us/products/1411414>

Technical data

Mounting

Mounting type	direct screw connection
Wrench size	30 mm

Product properties

Type	T distributor
Product type	Power distributor
Product family	QPD
Number of positions	5
Connection profile	4+PE
Position marking	1, 2, 3, N, PE
No. of cable outlets	3
Series	QPD
Coding	Coding profile

Insulation characteristics

Overvoltage category	III
Degree of pollution	3

Connection data

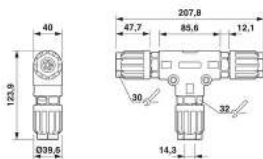
Connection technology

Connection technology	QUICKON connection
Connection system, internal	IDC connection
Frequency of connections between conductors of the same cross section	max. 10

Conductor connection

Conductor cross section flexibel	2.5 mm ² ... 6 mm ²
Conductor cross section solid	2.5 mm ² ... 6 mm ²
Connection cross section AWG	14 ... 10
Wrench size, union nut	30 mm
Tightening torque, union nut	15 Nm

Dimensions

Dimensional drawing	
Width	123.9 mm
Height	40 mm

QPD T 4PE6,0 3X9-14 BK - T distributor



1411414

<https://www.phoenixcontact.com/us/products/1411414>

Length	207.8 mm
Wrench size, union nut	30 mm
Wrench size for mounting	30 mm

Electrical properties

Rated surge voltage (II/2)	8 kV
Rated surge voltage (III/2)	8 kV
Rated surge voltage (III/3)	6 kV
Rated current	40 A
Contact resistance	< 3 mΩ
rated voltage (II/2)	1000 V
rated voltage (III/2)	1000 V
Rated voltage (III/3)	690 V
Nominal voltage U_N	690 V AC 690 V DC
Nominal current I_N	40 A

Mechanical properties

Mechanical data

Insertion/withdrawal cycles	max. 50
-----------------------------	---------

Material specifications

Material	PA
Flammability rating according to UL 94	V0
Contact material	Cu
Contact surface material	silver-plated
Contact carrier material	PA

Cable/line

Structure of individual litz in acc. with VDE 0295 / smallest wire diameter	VDE 0295 class 1 to 6/min. 0.15 mm
External cable diameter ()	9 mm ... 14 mm
Wire diameter including insulation	2.95 mm ... 5 mm
Position marking	1, 2, 3, N, PE
Material wire insulation	PVC / PE / rubber / TPE

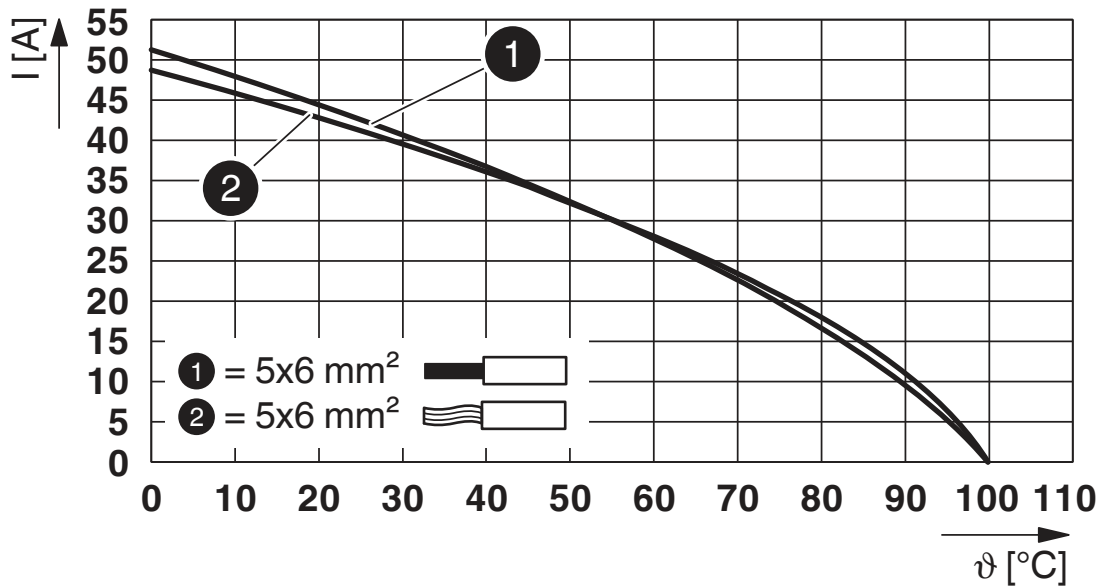
Environmental and real-life conditions

Ambient conditions

Degree of protection	IP66 IP68 (2 m / 24 h) IP69K (Distance from the nozzle 150 mm)
Ambient temperature (operation)	-40 °C ... 100 °C
Temperature when conductor connected	-5 °C ... 50 °C
Ambient temperature (storage/transport)	-40 °C ... 100 °C

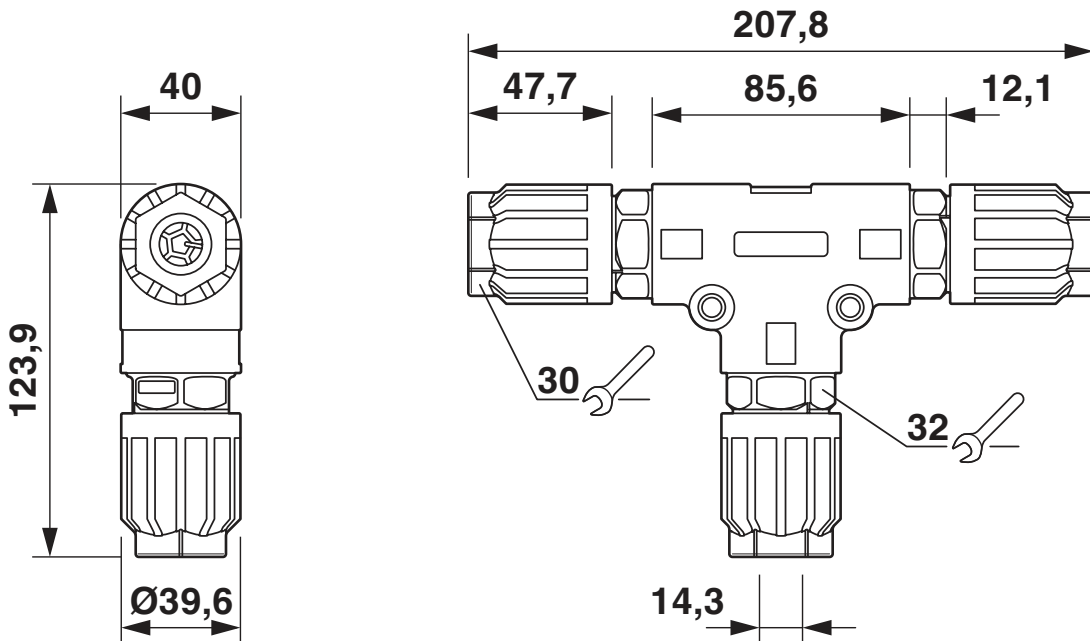
Drawings

Diagram



Derating diagram

Dimensional drawing



Dimensional drawing

QPD T 4PE6,0 3X9-14 BK - T distributor



1411414

<https://www.phoenixcontact.com/us/products/1411414>

Approvals

To download certificates, visit the product detail page: <https://www.phoenixcontact.com/us/products/1411414>



IECEE CB Scheme
Approval ID: DE1-65875



EAC
Approval ID: RU C-DE.AI30.B.01102



DNV GL
Approval ID: TAE00003J5



EAC
Approval ID: RU C-DE.BL08.B.00511



VDE Zeichengenehmigung
Approval ID: 40029149



UL Listed
Approval ID: E468743

Nominal voltage U_N	Nominal current I_N	Cross section AWG	Cross section mm^2
600 V	20 A	-	- 12



cUL Listed
Approval ID: E468743

Nominal voltage U_N	Nominal current I_N	Cross section AWG	Cross section mm^2
600 V	20 A	- 12	-

cULus Listed

QPD T 4PE6,0 3X9-14 BK - T distributor



1411414

<https://www.phoenixcontact.com/us/products/1411414>

Classifications

ECLASS

ECLASS-11.0	27440603
ECLASS-13.0	27440603
ECLASS-12.0	27440603

ETIM

ETIM 8.0	EC002567
----------	----------

UNSPSC

UNSPSC 21.0	39121400
-------------	----------

QPD T 4PE6,0 3X9-14 BK - T distributor



1411414

<https://www.phoenixcontact.com/us/products/1411414>

Environmental product compliance

China RoHS	Environmentally friendly use period: unlimited = EFUP-e
	No hazardous substances above threshold values

QPD T 4PE6,0 3X9-14 BK - T distributor

1411414

<https://www.phoenixcontact.com/us/products/1411414>

Accessories

CP-QPD 5X6,0 - Coding profile

1411402

<https://www.phoenixcontact.com/us/products/1411402>



Coding profile, red, for insertion into the 5-pos. QUICKON dome and connector, can be positioned in 72° increments.

QPD QSK 5X6,0 - Protective cap

1411403

<https://www.phoenixcontact.com/us/products/1411403>



Protective cap, black plastic, for 5 x 2.5 mm² QPD connector, IP50.

QPD T 4PE6,0 3X9-14 BK - T distributor

1411414

<https://www.phoenixcontact.com/us/products/1411414>



QPD QSK BK 5X6,0 FS - Protective cap

1411400

<https://www.phoenixcontact.com/us/products/1411400>

Protective cap, plastic, for QUICKON connection, black, with retaining cord, IP68



GPE 13X 9 WH - Engraving material

0806932

<https://www.phoenixcontact.com/us/products/0806932>

Engraving material, Sheet, white, unlabeled, can be labeled with: PLOTMARK, ENGRAVING UNIT, CMS-P1-PLOTTER, P1 ENGRAVING UNIT, mounting type: adhesive, lettering field size: 13 x 9 mm, Number of individual labels: 120



QPD T 4PE6,0 3X9-14 BK - T distributor



1411414

<https://www.phoenixcontact.com/us/products/1411414>

EMLP (13X9)R - Label

0819453

<https://www.phoenixcontact.com/us/products/0819453>



Label, Roll, white, unlabeled, can be labeled with: THERMOMARK E.300 (D)/600 (D), THERMOMARK ROLL 2.0, THERMOMARK ROLL, THERMOMARK ROLL X1, THERMOMARK ROLLMASTER 300/600, THERMOMARK X1.2, mounting type: adhesive, lettering field size: 13 x 9 mm, Number of individual labels: 500

SEALING PLUG 10X16 RD - Closing cap

1400284

<https://www.phoenixcontact.com/us/products/1400284>



Closing cap, for threads pluggable, color: red

QPD T 4PE6,0 3X9-14 BK - T distributor

1411414

<https://www.phoenixcontact.com/us/products/1411414>



QPD W 4PE6,0 9-14 M25 0,5 BK - Panel feed-through

1410392

<https://www.phoenixcontact.com/us/products/1410392>



QUICKON panel feed-through, 4+PE-pos., 2.5 mm² ... 6.0 mm²/690 V/40 A, with QUICKON nut, black, for cable diameter of 9 mm ... 14 mm, M25 connection thread with 5 welded-on 6.0 mm² cable wires, 0.5 m long, cut flat at the end.

QPD W 4PE6,0 9-14 M25 1,0 BK - Panel feed-through

1410393

<https://www.phoenixcontact.com/us/products/1410393>



QUICKON panel feed-through, 4+PE-pos., 2.5 mm² ... 6.0 mm²/690 V/40 A, with QUICKON nut, black, for cable diameter of 9 mm ... 14 mm, M25 connection thread with 5 welded-on 6.0 mm² cable wires, 1.0 m long, cut flat at the end.

QPD T 4PE6,0 3X9-14 BK - T distributor

1411414

<https://www.phoenixcontact.com/us/products/1411414>



QPD C 4PE6,0 1X9-14 BK - Conductor connectors

1410415

<https://www.phoenixcontact.com/us/products/1410415>



QUICKON cable connector, with a QUICKON nut, black, 4+PE-pos., 2.5 mm² ... 6.0 mm²/690 V/40 A, for cable diameter of 9 mm ... 14 mm.

QPD C 4PE6,0 2X9-14 BK - Conductor connectors

1410410

<https://www.phoenixcontact.com/us/products/1410410>



QUICKON cable connector, black, 4+PE-pos., 2.5 mm² ... 6.0 mm²/690 V/40 A, for cable diameter of 9 mm ... 14 mm.

QPD T 4PE6,0 3X9-14 BK - T distributor

1411414

<https://www.phoenixcontact.com/us/products/1411414>



QPD T 4PE6,0 2X9-14 BK - T distributor

1411416

<https://www.phoenixcontact.com/us/products/1411416>



QUICKON T-distributor, black, 4+PE-pos., 2.5 mm² ... 6.0 mm²/690 V/40 A, for cable diameter of 9 mm ... 14 mm, with two QUICKON nuts

QPD H 4PE6,0 4X9-14 BK - H distributor

1411422

<https://www.phoenixcontact.com/us/products/1411422>



QUICKON H-distributor, black, 4+PE-pos., 2.5 mm² ... 6.0 mm²/690 V/40 A, for cable diameter of 9 mm ... 14 mm, with a sealing bolt.

QPD T 4PE6,0 3X9-14 BK - T distributor

1411414

<https://www.phoenixcontact.com/us/products/1411414>



QPD N 4PE6,0 9-14 BK - Nut

1410409

<https://www.phoenixcontact.com/us/products/1410409>



QUICKON nut, black, 4+PE-pos., 2.5 mm² ... 6.0 mm²/690 V/40 A, for cables with a diameter of 9 mm ... 14 mm.

QPD P 4PE6,0 9-14 BK - Connector

1410386

<https://www.phoenixcontact.com/us/products/1410386>



Connector, QUICKON connection, number of positions: 4+PE, 2.5 mm² ... 6 mm², 690 V, 40 A, black, with QUICKON nut, external cable diameter: 9 mm ... 14 mm

QPD T 4PE6,0 3X9-14 BK - T distributor



1411414

<https://www.phoenixcontact.com/us/products/1411414>

QPD P 4PE6,0 9-14 TL BK - Connector

1039564

<https://www.phoenixcontact.com/us/products/1039564>



Connector, IDC connection, number of positions: 4+PE, 2.5 mm² ... 6 mm², 690 V, 40 A, black, with QUICKON nut, external cable diameter: 9 mm ... 14 mm

Phoenix Contact 2023 © - all rights reserved

<https://www.phoenixcontact.com>

Phoenix Contact USA
586 Fulling Mill Road
Middletown, PA 17057, United States
(+717) 944-1300
info@phoenixcon.com