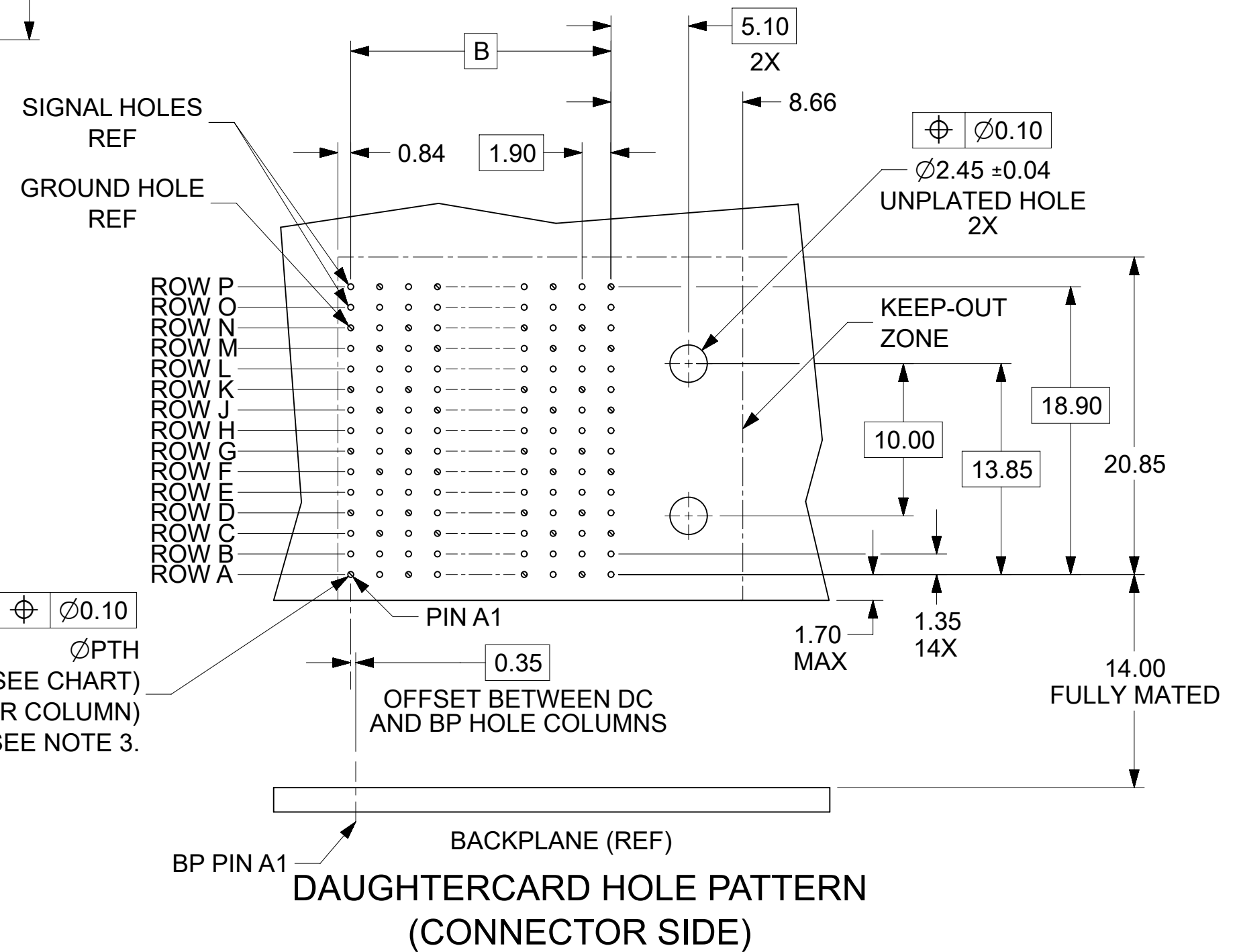
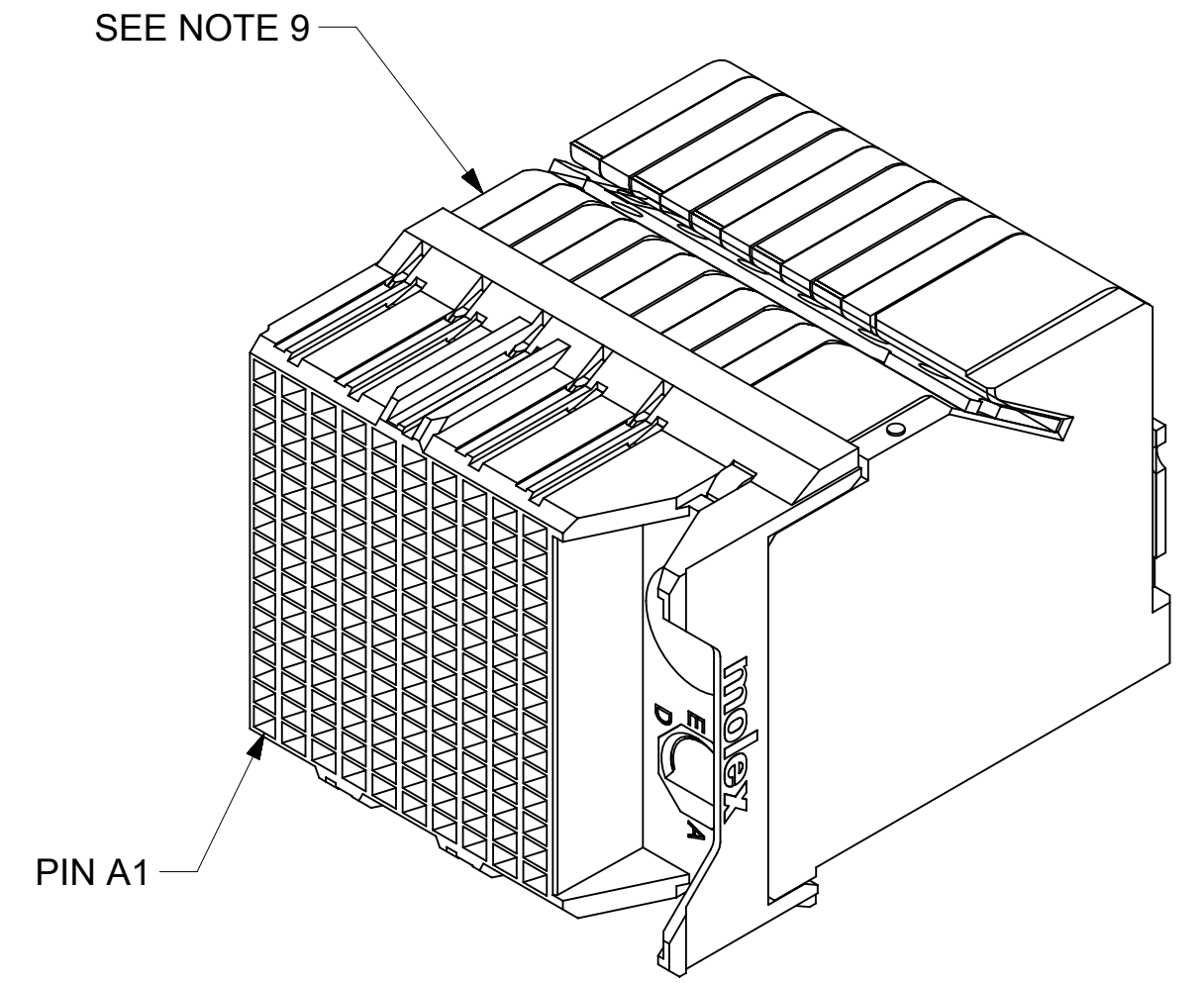
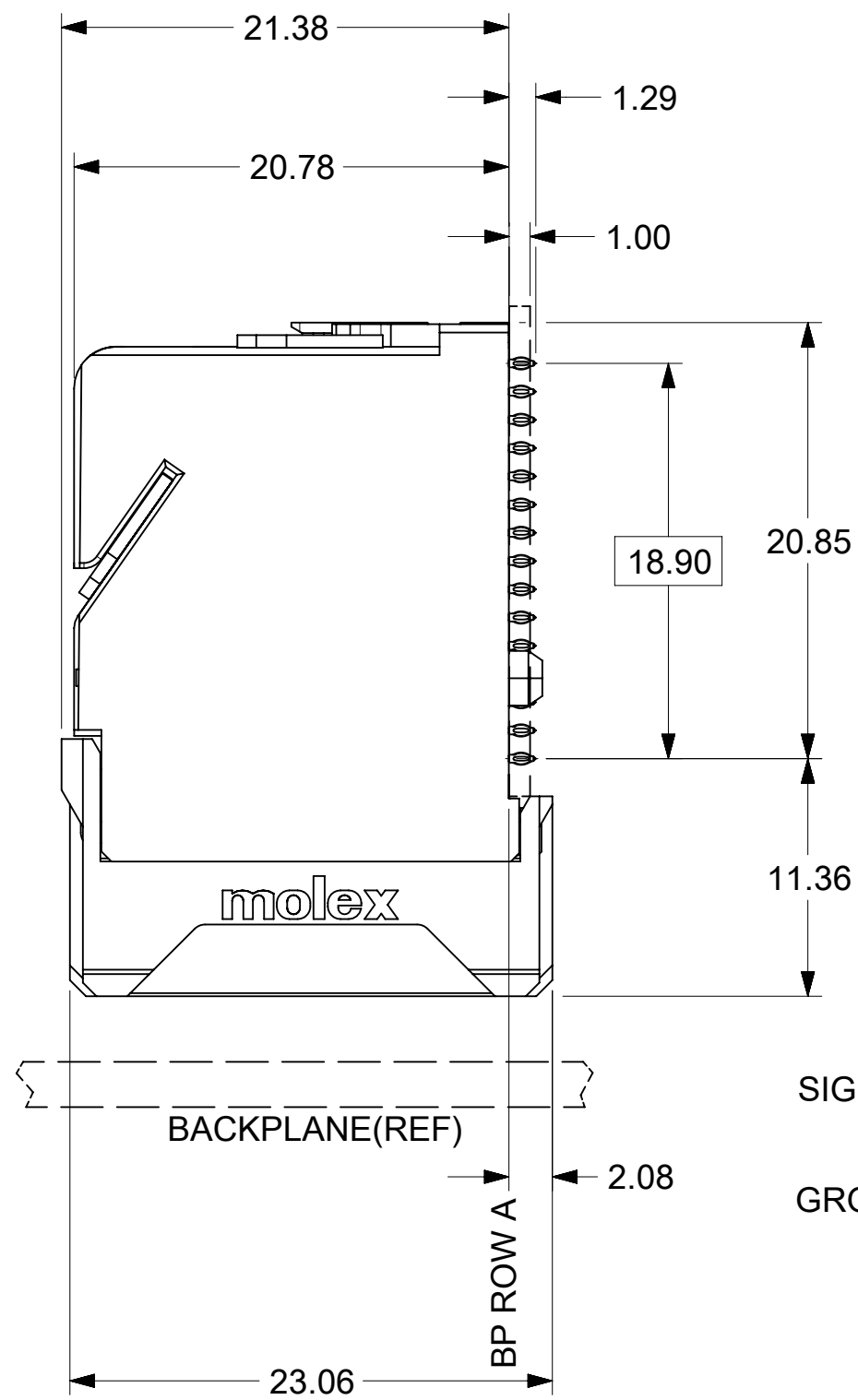


KEY SHOWN IN POSITION "A"



NOTES:

1. MATERIALS: HOUSING - LIQUID CRYSTAL POLYMER (LCP), GLASS-FILLED, UL94V-0
TERMINALS - HIGH PERFORMANCE COPPER ALLOY
2. FINISH: 30µIN MIN SELECTIVE GOLD IN CONTACT AREA, SELECTIVE TIN
ON PCB TAILS. NICKEL OVERALL.
3. REFER TO MOLEX PRODUCT SPEC PS-76060-999 FOR PERFORMANCE SPECIFICATIONS
AND ADDITIONAL PCB INFORMATION.
4. EACH SIGNAL WAFER CONTAINS 2 COLUMNS OF TERMINALS.
5. PRODUCT IS PACKAGED PER PK-70873-611.
6. THIS PART CONFORMS TO CLASS B REQUIREMENTS OF COSMETIC SPEC PS-45499-002.
7. REFER TO MOLEX SALES DRAWING SD-76055-003 FOR THE MATING HEADERS.
8. REFER TO MOLEX PCB MOUNTING GUIDE AS 76060-990 FOR ANTIPAD AND ROUTING
RECOMMENDATIONS.
9. PART NUMBER 76060-5120 SHOWN ON DRAWING. KEYING FEATURES WILL CHANGE
WITH COLUMN SIZE.
10. MINIMUM BOARD THICKNESS IS 1.00 mm FOR COMPLIANT PIN FUNCTIONALITY.
11. WHEN USING MOLEX SUPPLIED #2-32 SCREW 73726-0000 (9.50mm ±0.38
THREADABLE SCREW LENGTH), THE MAXIMUM BOARD THICKNESS IS 4.4mm.
12. MARKING: LOCATED APPROXIMATELY AS SHOWN. PART NUMBER AND DATE CODE.

THIS DRAWING CONTAINS INFORMATION THAT IS PROPRIETARY TO MOLEX ELECTRONIC TECHNOLOGIES, LLC AND SHOULD NOT BE USED WITHOUT WRITTEN PERMISSION													
DIMENSION UNITS		SCALE		CURRENT REV DESC: REMASTERED TO NX									
mm		NTS											
GENERAL TOLERANCES (UNLESS SPECIFIED)				EC NO: 705090 DRWN: SKANDB 2021/09/27 CHK'D: VINODM3 2022/02/17 APPR: LZENG 2022/05/13 INITIAL REVISION: DRWN: MCARRANZA 2007/07/11 APPR: JLAURX 2007/07/11								IMPACT 100 OHM DC 5 PAIR SIGNAL MODULE GUIDE RIGHT SALES DWG	
ANGULAR TOL ± 0.5°				3 PLACES ±				PRODUCT CUSTOMER DRAWING					
4 PLACES ±				2 PLACES ± 0.13				DOCUMENT NUMBER		DOC TYPE		DOC PART	
3 PLACES ±				1 PLACE ± 0.25				SD-76060-004		PSD		001	
2 PLACES ±				0 PLACES ±				MATERIAL NUMBER		CUSTOMER		SHEET NUMBER	
DRAFT WHERE APPLICABLE MUST REMAIN WITHIN DIMENSIONS				THIRD ANGLE PROJECTION		DRAWING		SERIES		SEE TABLE		GENERAL MARKET	
				C-SIZE		76060				1 OF 2			

