

DESCRIPTION : ABOVE PCB, DECK AND PUSH ROD LOCATION ARE AS VIEW BY USER.

PRODUCT NO.	PUSH ROD LOCATION		STAND-OFF HEIGHT	CLOSEST TO PCB	FARTHEST FROM PCB	MATING RECEPTACLE	P.C.B SIDE	RECOMMENDED P.C.B LAYOUT (SEE PAGE 6&7)	MOUNT STYLE TO PCB AND PUSH ROD SIDE
	DECK CLOSEST TO PCB	DECK FARTHEST TO PCB		EJ HDR ASS'Y	EJ HDR ASS'Y				
(A) 61124-*****				(B)	(C)	(D)			
200CA	RIGHT	RIGHT	0.0	61126-002CA	61125-005CA	RECEPTACLE PART NO. 91931-31169	ABOVE	LAYOUT 1	
220CA	RIGHT	RIGHT	2.2	61125-020CA	61125-025CA			LAYOUT 2	
240CA	RIGHT	RIGHT	4.3	61125-040CA	61125-045CA			LAYOUT 2	
250CA	RIGHT	RIGHT	5.0	61125-050CA	61125-055CA			LAYOUT 2	
220CAC	RIGHT	RIGHT	2.2	61125-020CAC	61125-025CAC			LAYOUT 2	
240CAC	RIGHT	RIGHT	4.3	61125-040CAC	61125-045CAC			LAYOUT 2	
250CAC	RIGHT	RIGHT	5.0	61125-050CAC	61125-055CAC			LAYOUT 2	
300CA	LEFT	LEFT	0.0	61126-102CA	61125-105CA			LAYOUT 1	
320CA	LEFT	LEFT	2.2	61125-120CA	61125-125CA			LAYOUT 2	
340CA	LEFT	LEFT	4.3	61125-140CA	61125-145CA			LAYOUT 2	
350CA	LEFT	LEFT	5.0	61125-150CA	61125-155CA			LAYOUT 2	
700CA	RIGHT	RIGHT	0.0	61126-502CA	61125-505CA			LAYOUT 3	
720CA	RIGHT	RIGHT	2.2	61125-520CA	61125-525CA			LAYOUT 4	
740CA	RIGHT	RIGHT	4.3	61125-540CA	61125-545CA			LAYOUT 4	
750CA	RIGHT	RIGHT	5.0	61125-550CA	61125-555CA	LAYOUT 4			
800CA	LEFT	LEFT	0.0	61126-602CA	61125-605CA	RECEPTACLE PART NO. 91931-31169	BELOW	LAYOUT 3	
820CA	LEFT	LEFT	2.2	61125-620CA	61125-625CA			LAYOUT 4	
840CA	LEFT	LEFT	4.3	61125-640CA	61125-645CA			LAYOUT 4	
850CA	LEFT	LEFT	5.0	61125-650CA	61125-655CA			LAYOUT 4	

OR

ORDERING INFORMATION

ORDERING INFORMATION		
NAME	PART NO.	Q'TY
(A) EJECT HEADER ASS'Y	61124-*****	1
(D) MATING RECEPTACLE	91931-31169	2

ORDERING INFORMATION		
NAME	PART NO.	Q'TY
(B) DECK CLOSEST TO PCB	61125-*****	1
(C) DECK FARTHEST FROM PCB	61125-*****	1
(D) MATING RECEPTACLE	91931-31169	2

OR

ORDERING INFORMATION

ORDERING INFORMATION		
NAME	PART NO.	Q'TY
(B) DECK CLOSEST TO PCB	61126-*****	1
(C) DECK FARTHEST FROM PCB	61125-*****	1
(D) MATING RECEPTACLE	91931-31169	1

rev	ecn no	dr	date
C	T03-0216	W L	06/09/03
D	N05-0059	W B	03/03/05
E	N05-0140	W B	05/31/05
F	N05-0217	W B	07/25/05
G	N08-0169	MZ	08/13/07
H	N11-0015	SH	2011-02-09
J	ELX-N-011396	ZK	2012-04-02

www.fciconnect.com		surface 6.4 ISO 1302	tolerance std ISO 406 ISO 1101	projection MM
		TOLERANCES UNLESS OTHERWISE SPECIFIED		
Dr	WENDY CHEN	07/06/95	ANGULAR	LINEAR
Eng	L.W. LU	07/06/95	0.X	±0.3
Chr	JOSEPH HSIA	07/06/95	0.XX	±0.15
Appr	JENN TSAO	07/06/95	0.XXX	±0.05
Product family		61124	Spec ref	RELEASE
title		EJECTOR HEADER ASS'Y 3.3V SMT, TYPE 1/2/3		Rev. J
catalog no		CUSTOMER		sheet 1 of 8

DESCRIPTION : ABOVE PCB, DECK AND PUSH ROD LOCATION ARE AS VIEW BY USER.

PRODUCT NO.	PUSH ROD	LOCATION	STAND-OFF HEIGHT	CLOSEST TO PCB	FARTHEST FROM PCB	MATING RECEPTACLE	P.C.B SIDE	RECOMMENDED P.C.B LAYOUT (SEE PAGE 6&7)	MOUNT STYLE TO PCB AND PUSH ROD SIDE
				EJ HDR ASS'Y (B)	EJ HDR ASS'Y (C)				
(A) 61124-****	DECK CLOSEST TO PCB	DECK FARTHEST TO PCB							
200CALF	RIGHT	RIGHT	0.0	61126-002CALF	61125-005CALF	RECEPTACLE PART NO. 91931-31169LF	ABOVE	LAYOUT 1	
220CALF	RIGHT	RIGHT	2.2	61125-020CALF	61125-025CALF			LAYOUT 2	
240CALF	RIGHT	RIGHT	4.3	61125-040CALF	61125-045CALF			LAYOUT 2	
250CALF	RIGHT	RIGHT	5.0	61125-050CALF	61125-055CALF			LAYOUT 2	
220CACLF	RIGHT	RIGHT	2.2	61125-020CACLF	61125-025CACLF			LAYOUT 2	
240CACLF	RIGHT	RIGHT	4.3	61125-040CACLF	61125-045CACLF			LAYOUT 2	
250CACLF	RIGHT	RIGHT	5.0	61125-050CACLF	61125-055CACLF			LAYOUT 2	
251CACLF	LEFT	RIGHT	5.0	61125-050CACLF	61125-155CACLF			LAYOUT 2	
300CALF	LEFT	LEFT	0.0	61126-102CALF	61125-105CALF			LAYOUT 1	
320CALF	LEFT	LEFT	2.2	61125-120CALF	61125-125CALF			LAYOUT 2	
340CALF	LEFT	LEFT	4.3	61125-140CALF	61125-145CALF			LAYOUT 2	
350CALF	LEFT	LEFT	5.0	61125-150CALF	61125-155CALF			LAYOUT 2	
350CACLF	LEFT	LEFT	5.0	61125-150CACLF	61125-155CACLF			LAYOUT 2	
700CALF	RIGHT	RIGHT	0.0	61126-502CALF	61125-505CALF			RECEPTACLE PART NO. 91931-31169LF	BELOW
720CALF	RIGHT	RIGHT	2.2	61125-520CALF	61125-525CALF	LAYOUT 4			
740CALF	RIGHT	RIGHT	4.3	61125-540CALF	61125-545CALF	LAYOUT 4			
750CALF	RIGHT	RIGHT	5.0	61125-550CALF	61125-555CALF	LAYOUT 4			
800CALF	LEFT	LEFT	0.0	61126-602CALF	61125-605CALF	LAYOUT 3			
820CALF	LEFT	LEFT	2.2	61125-620CALF	61125-625CALF	LAYOUT 4			
840CALF	LEFT	LEFT	4.3	61125-640CALF	61125-645CALF	LAYOUT 4			
850CALF	LEFT	LEFT	5.0	61125-650CALF	61125-655CALF	LAYOUT 4			

OR

ORDERING INFORMATION

ORDERING INFORMATION			
NAME	PART NO.	Q'TY	
(A) EJECT HEADER ASS'Y	61124-****LF	1	
(D) MATING RECEPTACLE	91931-31169LF	2	

ORDERING INFORMATION			
NAME	PART NO.	Q'TY	
(B) DECK CLOSEST TO PCB	61125-****LF	1	
(C) DECK FARTHEST FROM PCB	61125-****LF	1	
(D) MATING RECEPTACLE	91931-31169LF	2	

OR

ORDERING INFORMATION

ORDERING INFORMATION			
NAME	PART NO.	Q'TY	
(B) DECK CLOSEST TO PCB	61126-****LF	1	
(C) DECK FARTHEST FROM PCB	61125-****LF	1	
(D) MATING RECEPTACLE	91931-31169LF	1	

NOTE:

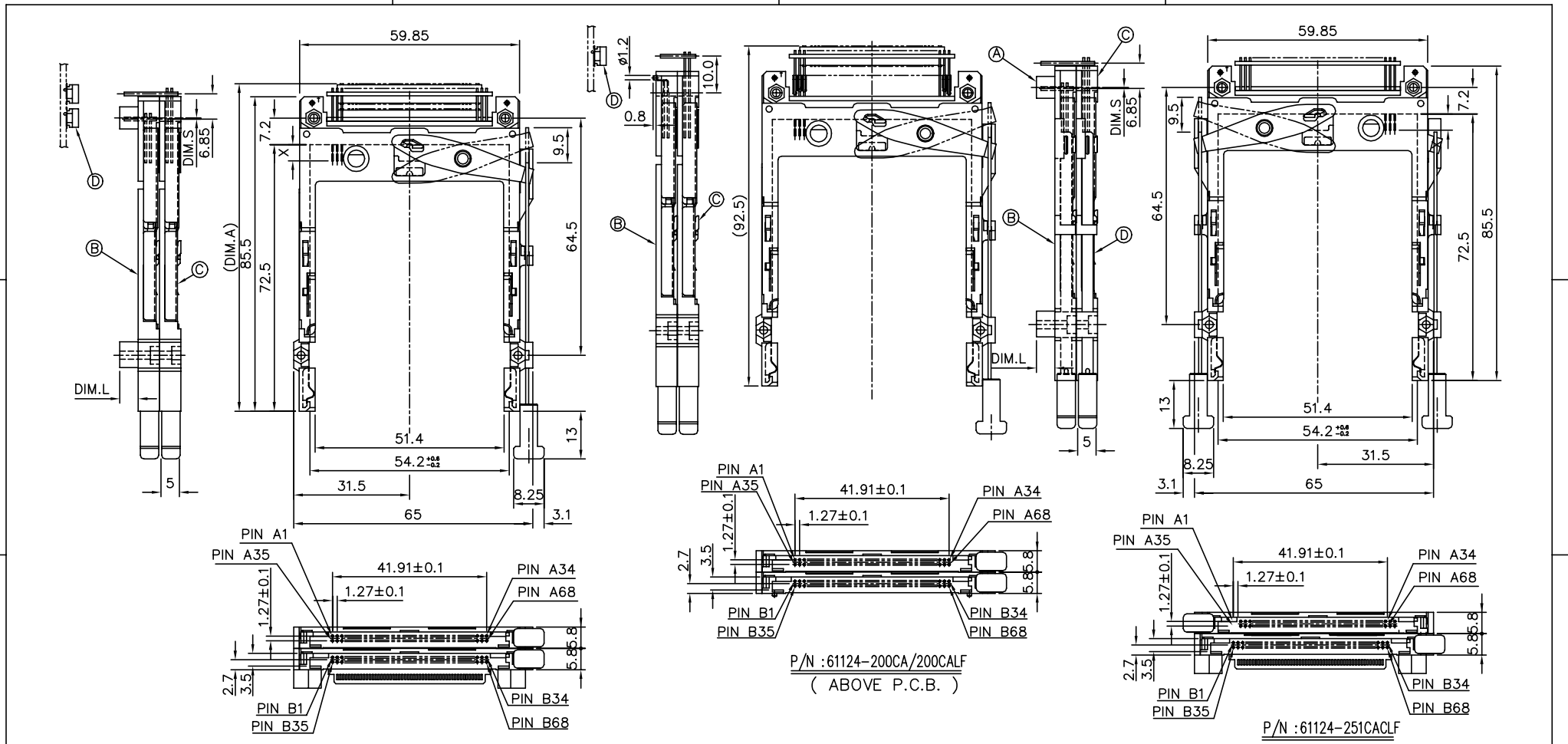
- THE HOUSING WILL WITHSTAND EXPOSURE TO 260°C PEAK TEMPERATURE FOR 10 SECONDS IN A WAVE SOLDER APPLICATION WITH A 1.00MM MINIMUM THICK CIRCUIT BOARD.
- THE PRODUCTS FOR SUFFIX " LF " MEET EUROPEAN UNION DIRECTIVES AND OTHER COUNTRY REGULATIONS AS DESCRIBED IN GS-22-008 OTHER PRODUCTS ARE COMPLIANT EXCEPT FOR Pb.
- LEAD FREE P/N PACKAGING MEETS GS-14-920 SPECIFICATION
- FINISH (PIN)
CONTACT AREA : 0.076 µm MIN. GOLD

SOLDER TAIL(FOR -*****) : 2.5 µm MIN. Sn-Pb
SOLDER TAIL(FOR -*****)LF) : 2.5 µm MIN. PURE Sn

www.fciconnect.com			surface 6.4 ISO 1302	tolerance std ISO 406 ISO 1101	projection 	MM
			TOLERANCES UNLESS OTHERWISE SPECIFIED			MM
Dr	WENDY CHEN	07/06/95	ANGULAR	LINEAR	0.X ±0.3	size A4 Scale 1.000
Eng	L.W. LU	07/06/95	0° ±2°		0.XX ±0.15	ECN N11-0015
Chr	JOSEPH HSIA	07/06/95			0.XXX ±0.05	Spec ref RELEASE
Appr	JENN TSAO	07/06/95	Product family		61124	
			title		EJECTOR HEADER ASS'Y 3.3V SMT, TYPE 1/2/3	Rev. J
			catalog no		CUSTOMER	sheet 2 of 8
			dwg no		61124	



Copyright FCI.



P/N : 61124-2**CA*/2**CA*LF
(ABOVE P.C.B.)

P/N : 61124-200CA/200CALF
(ABOVE P.C.B.)

P/N : 61124-251CACLF

(A) PART NUMBER	DIM.L	DIM.S	DIM.A
61124-220CA	2.2	-0.3	89.05
61124-240CA	4.3	-0.3	89.05
61124-250CA	5.0	-0.3	89.05
61124-220CALF	2.2	-0.3	89.05
61124-240CALF	4.3	-0.3	89.05
61124-250CALF	5.0	-0.3	89.05
61124-220CAC	2.2	-0.3	89.05
61124-240CAC	4.3	-0.3	89.05
61124-250CAC	5.0	-0.3	89.05
61124-220CACLF	2.2	-0.3	89.05
61124-240CACLF	4.3	-0.3	89.05
61124-250CACLF	5.0	-0.3	89.05
61124-251CACLF	5.0	-0.3	89.05

REV F - 2008-04-17

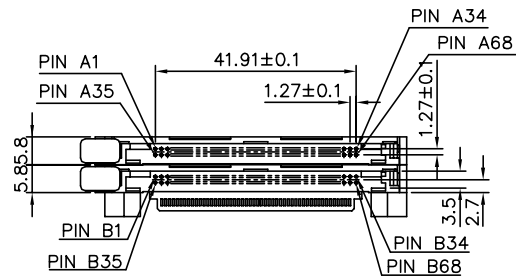
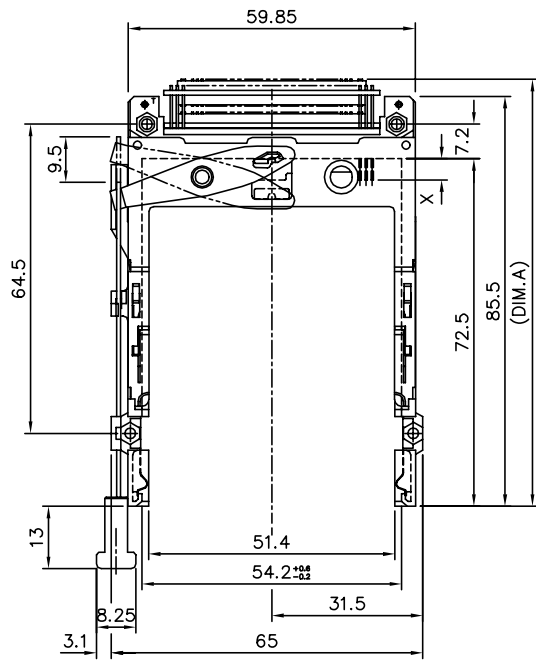
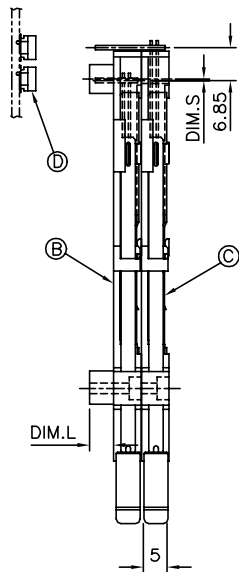
www.fciconnect.com		surface 6.4 ISO 1302	tolerance std ISO 406 ISO 1101	projection MM
		TOLERANCES UNLESS OTHERWISE SPECIFIED		
Dr	WENDY CHEN	07/06/95	ANGULAR	size A4
Eng	L.W. LU	07/06/95	LINEAR	Scale 1.000
Chr	JOSEPH HSIA	07/06/95	0° ±2°	ECN N11-0015
Appr	JENN TSAO	07/06/95	Product family	Spec ref RELEASE
FCI		title EJECTOR HEADER ASS'Y 3.3V SMT, TYPE 1/2/3		Rev. J
catalog no		CUSTOMER		sheet 3 of 8



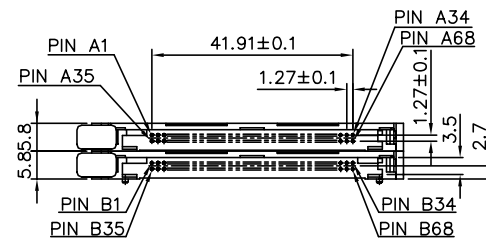
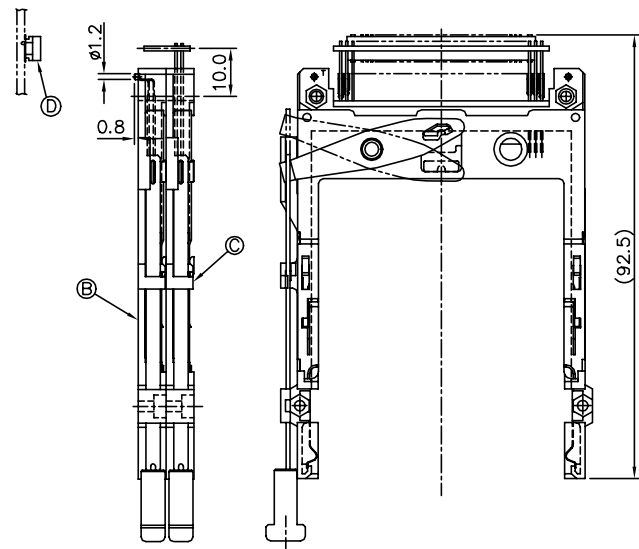
Copyright FCI.

(A) PART NUMBER	DIM.L	DIM.S	DIM.A
61124-320CA	2.2	-0.3	89.05
61124-340CA	4.3	-0.3	89.05
61124-350CA	5.0	-0.3	89.05
61124-320CALF	2.2	-0.3	89.05
61124-340CALF	4.3	-0.3	89.05
61124-350CALF	5.0	-0.3	89.05
61124-350CALF	5.0	-0.3	89.05

REV F - 2008-04-17



P/N : 61124-3**CA/3**CALF/3**CALF
(ABOVE P.C.B.)

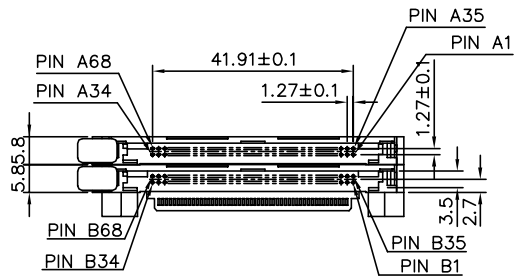
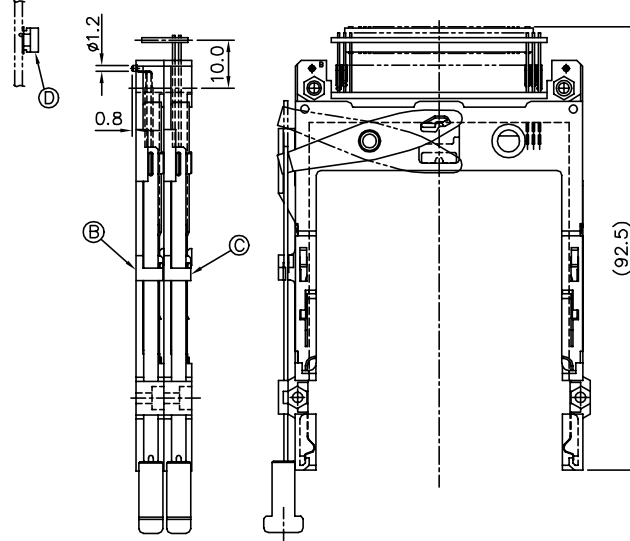
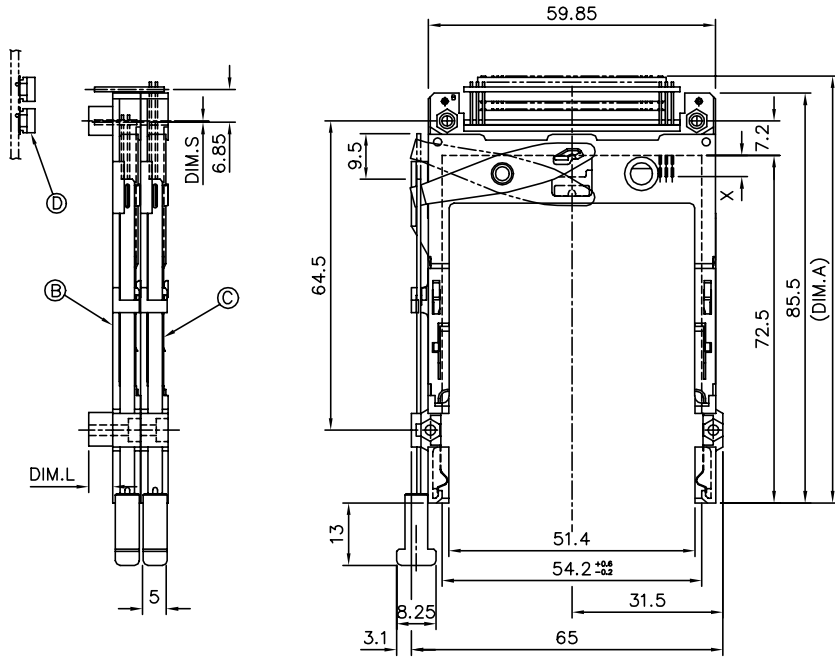


P/N : 61124-300CA/300CALF
(ABOVE P.C.B.)

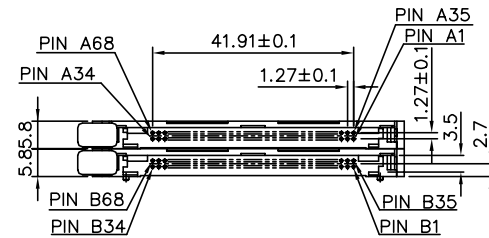
www.fciconnect.com			surface 6.4 ISO 1302	tolerance std ISO 406 ISO 1101	projection MM			
			TOLERANCES UNLESS OTHERWISE SPECIFIED					
Dr	WENDY CHEN	07/06/95	ANGULAR	0.X	±0.3	size A4		
Eng	L.W. LU	07/06/95		LINEAR	0.XX		±0.15	
Chr	JOSEPH HSIA	07/06/95	0°	±2°	0.XXX	±0.05	ECN N11-0015	
Appr	JENN TSAO	07/06/95	Product family		61124	Spec ref	RELEASE	
			title		EJECTOR HEADER ASS'Y 3.3V SMT, TYPE 1/2/3		dwg no	61124
			catalog no		CUSTOMER		sheet 4 of 8	
					Rev.		J	



Copyright FCI.



P/N : 61124-7**CA/7**CALF
(BELOW P.C.B.)



P/N : 61124-700CA/700CALF
(BELOW P.C.B.)

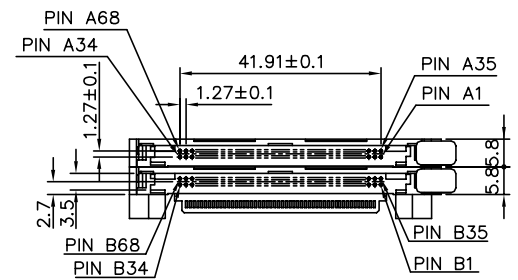
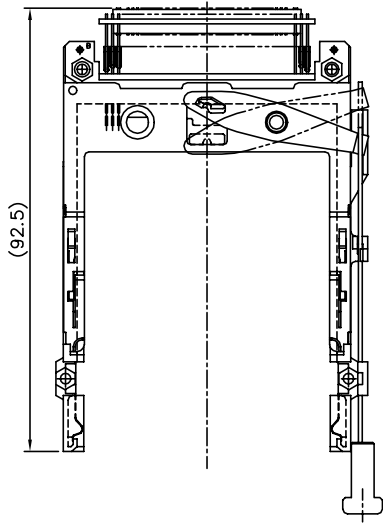
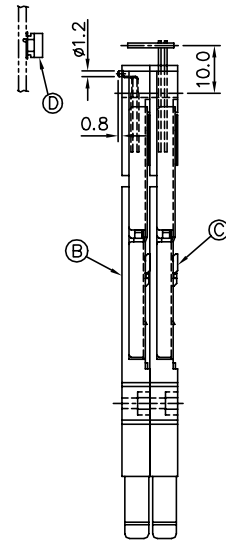
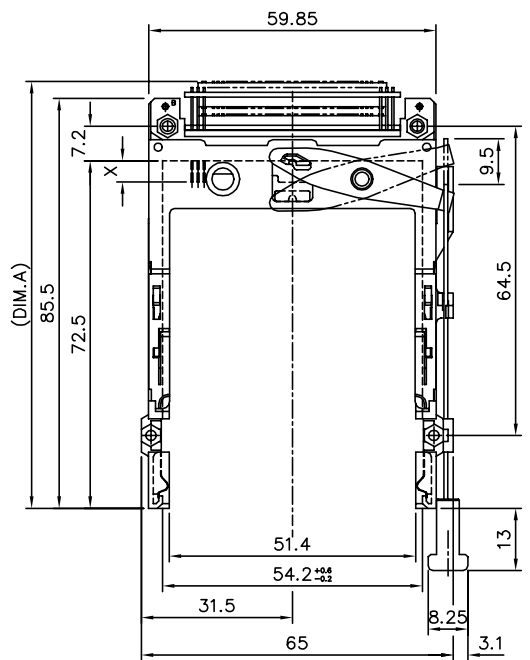
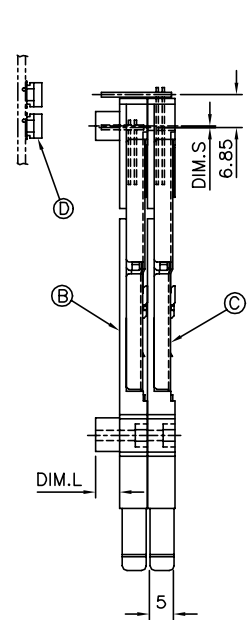
(A) PART NUMBER	DIM.L	DIM.S	DIM.A
61124-720CA	2.2	-0.3	89.05
61124-740CA	4.3	-0.3	89.05
61124-750CA	5.0	-0.3	89.05
61124-720CALF	2.2	-0.3	89.05
61124-740CALF	4.3	-0.3	89.05
61124-750CALF	5.0	-0.3	89.05

REV F - 2008-04-17

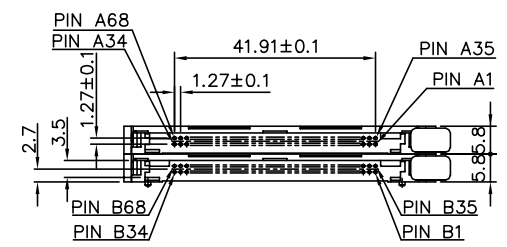
www.fciconnect.com			surface 6.4 ISO 1302	tolerance std ISO 406 ISO 1101	projection ISO 1101	MM
			TOLERANCES UNLESS OTHERWISE SPECIFIED			
Dr	WENDY CHEN	07/06/95	ANGULAR	0.X	±0.3	size A4
Eng	L.W. LU	07/06/95		LINEAR	0.XX	
Chr	JOSEPH HSIA	07/06/95	0° ±2°	0.XXX	±0.05	ECN N11-0015
Appr	JENN TSAO	07/06/95	Product family		61124	Spec ref RELEASE
FCI			title		EJECTOR HEADER ASS'Y 3.3V SMT, TYPE 1/2/3	
			catalog no		CUSTOMER	sheet 5 of 8
			dwg no		61124	Rev. J



Copyright FCI.



P/N : 61124-8**CA/8**CALF
(BELOW P.C.B.)



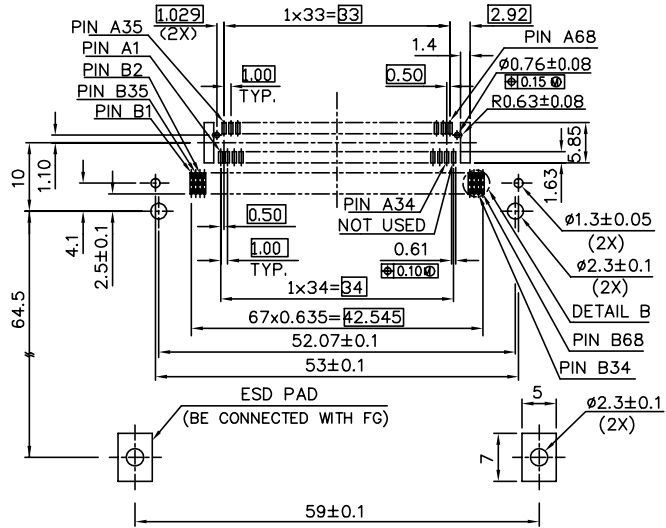
P/N : 61124-800CA/800CALF
(BELOW P.C.B.)

① PART NUMBER	DIM.L	DIM.S	DIM.A
61124-820CA	2.2	-0.3	89.05
61124-840CA	4.3	-0.3	89.05
61124-850CA	5.0	-0.3	89.05
61124-820CALF	2.2	-0.3	89.05
61124-840CALF	4.3	-0.3	89.05
61124-850CALF	5.0	-0.3	89.05

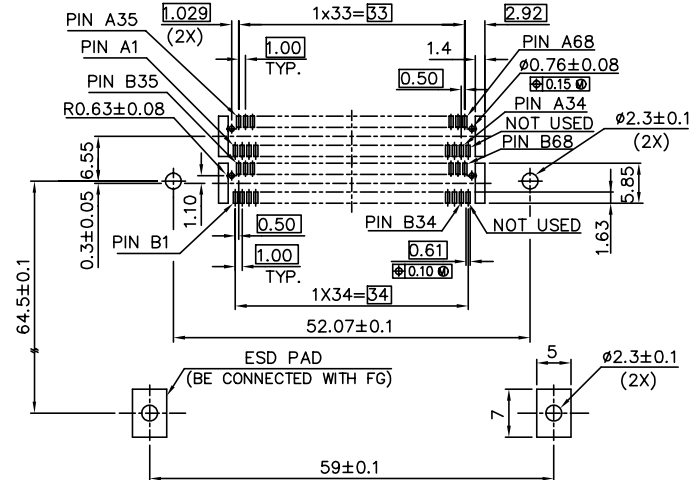
REV F - 2008-04-17

www.fciconnect.com			surface 6.4 ISO 1302	tolerance std ISO 406 ISO 1101	projection MM	
			TOLERANCES UNLESS OTHERWISE SPECIFIED			
Dr	WENDY CHEN	07/06/95	ANGULAR	0.X		
Eng	L.W. LU	07/06/95	LINEAR	0.XX	±0.15	Scale 1.000
Chr	JOSEPH HSIA	07/06/95	0° ±2°	0.XXX	±0.05	ECN N11-0015
Appr	JENN TSAO	07/06/95	Product family 61124		Spec ref	RELEASE
			title EJECTOR HEADER ASS'Y 3.3V SMT, TYPE 1/2/3		dwg no 61124	
catalog no			CUSTOMER		sheet 6 of 8	

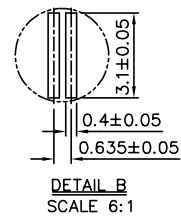
PRODUCT NO.
61124-*****/****LF



4 CARD INSERTION DIRECTION
RECOMMENDED P.C.B. LAYOUT 1 (MOUNTED SIDE)



4 CARD INSERTION DIRECTION
RECOMMENDED P.C.B. LAYOUT 2 (MOUNTED SIDE)

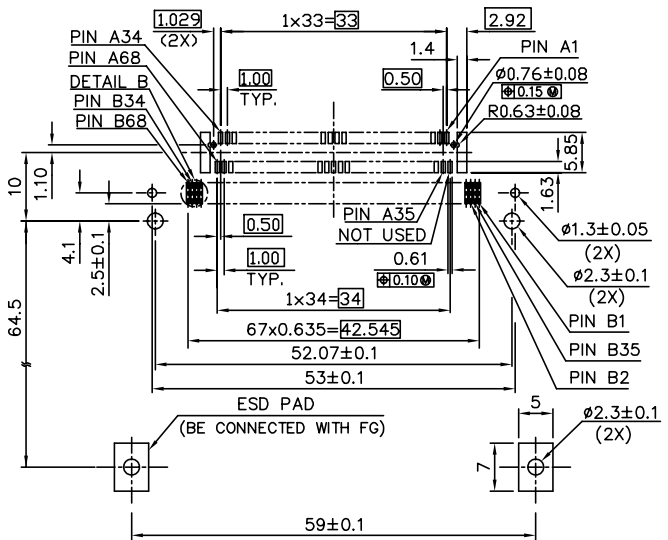


www.fciconnect.com			surface 6.4 ISO 1302	tolerance std ISO 406 ISO 1101	projection ISO 1101	MM
			TOLERANCES UNLESS OTHERWISE SPECIFIED			
Dr	WENDY CHEN	07/06/95	ANGULAR	LINEAR	0.X ±0.3	size A4
Eng	L.W. LU	07/06/95			0.XX ±0.15	Scale 1.000
Chr	JOSEPH HSIA	07/06/95	0° ±2°		0.XXX ±0.05	ECN N11-0015
Appr	JENN TSAO	07/06/95	Product family		61124	Spec ref RELEASE
title			EJECTOR HEADER ASS'Y 3.3V SMT, TYPE 1/2/3		dwg no 61124	
catalog no			CUSTOMER		Rev. J	
					sheet 7 of 8	

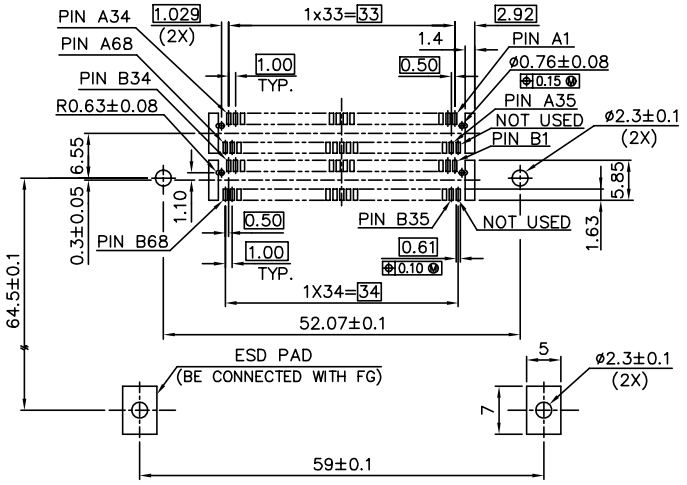


Copyright FCI.

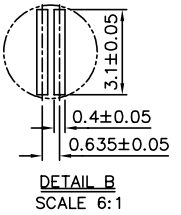
PRODUCT
61124-*****/****LF



4 CARD INSERTION DIRECTION
RECOMMENDED P.C.B. LAYOUT 3 (MOUNTED SIDE)



4 CARD INSERTION DIRECTION
RECOMMENDED P.C.B. LAYOUT 4 (MOUNTED SIDE)



www.fciconnect.com		surface 6.4 ISO 1302	tolerance std ISO 406 ISO 1101	projection MM
		TOLERANCES UNLESS OTHERWISE SPECIFIED		
Dr	WENDY CHEN	07/06/95	ANGULAR	size A4
Eng	L.W. LU	07/06/95	LINEAR	Scale 1.000
Chr	JOSEPH HSIA	07/06/95	0° ±2°	ECN N11-0015
Appr	JENN TSAO	07/06/95	Product family	Spec ref RELEASE
		title EJECTOR HEADER ASS'Y 3.3V SMT, TYPE 1/2/3		Rev. J
catalog no		61124		sheet 8 of 8



Copyright FCI.