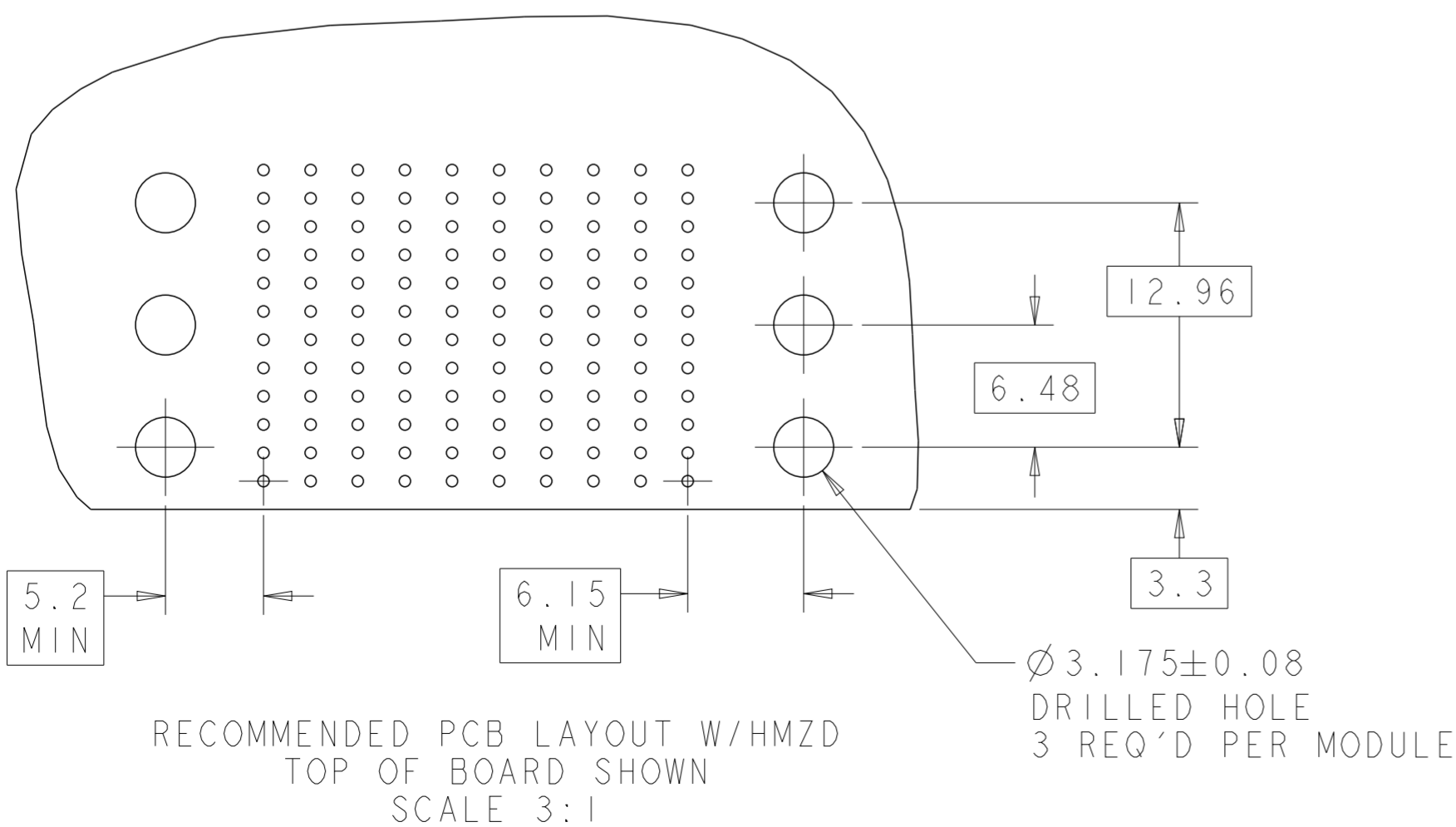
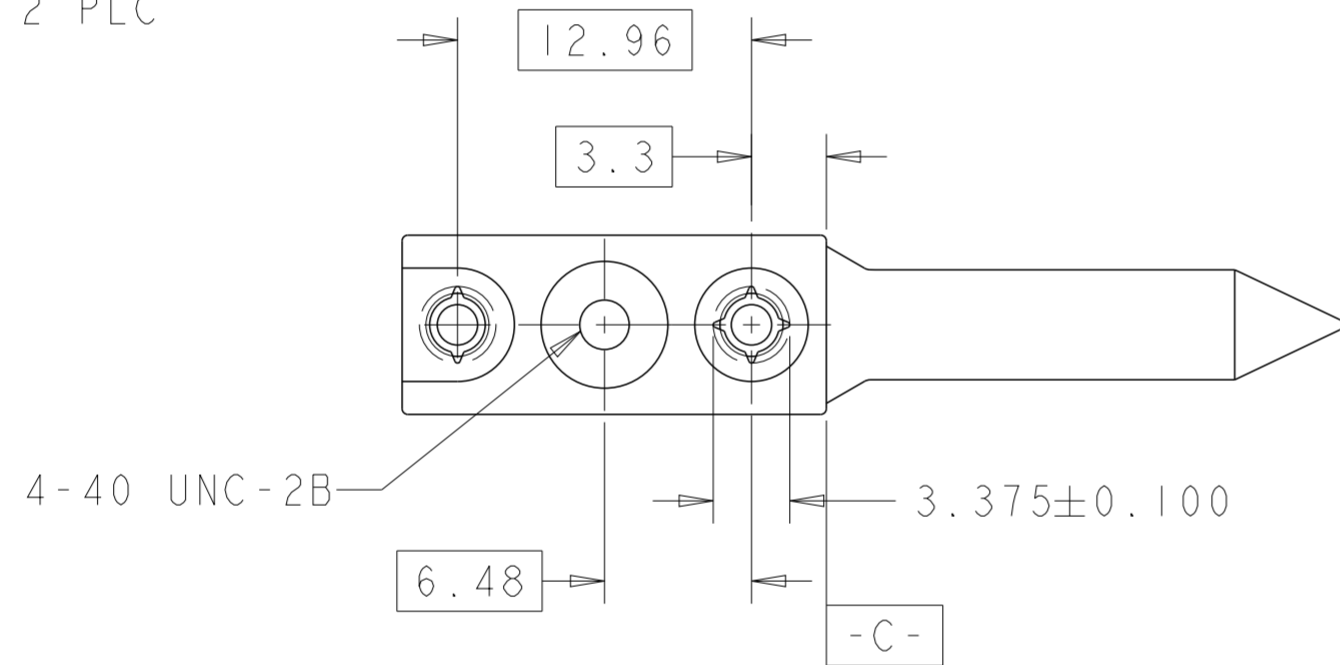
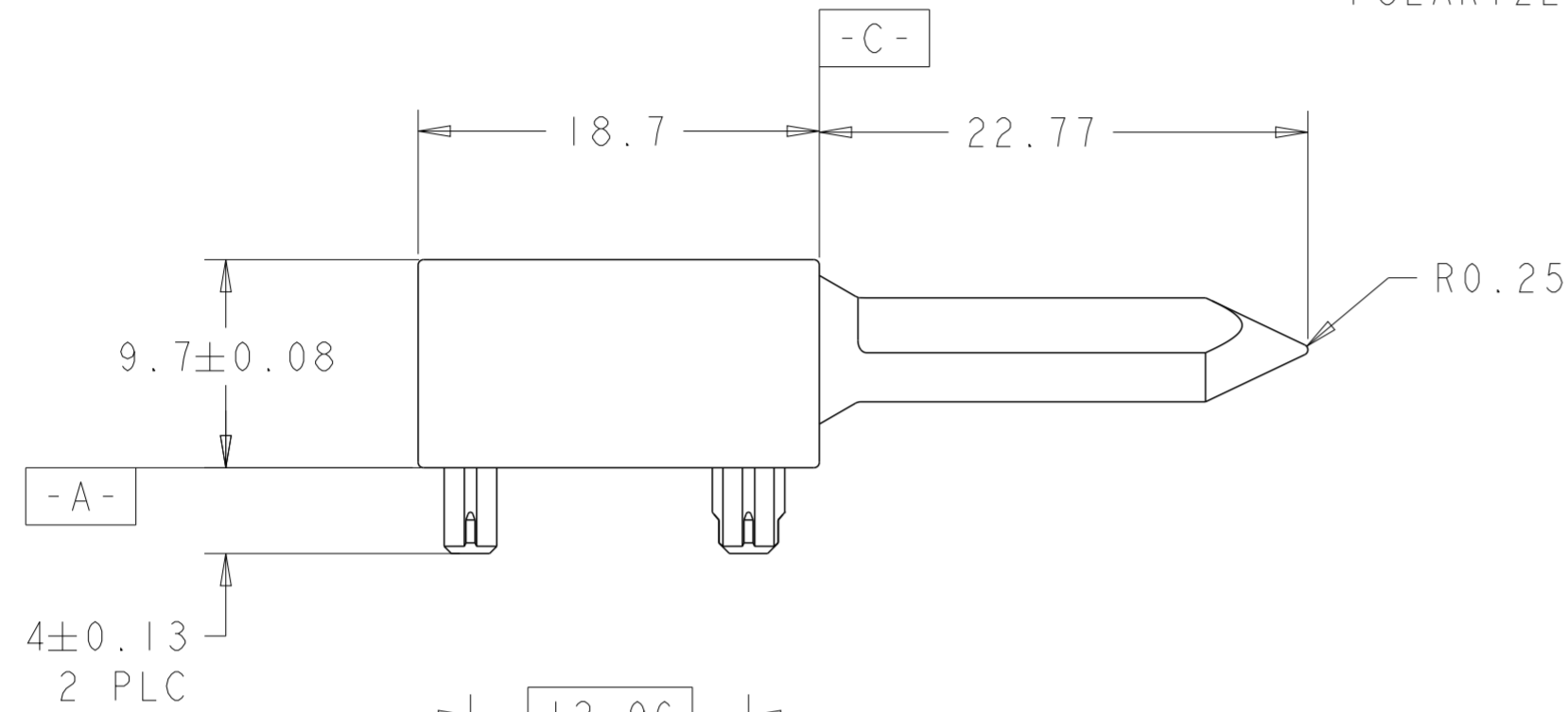
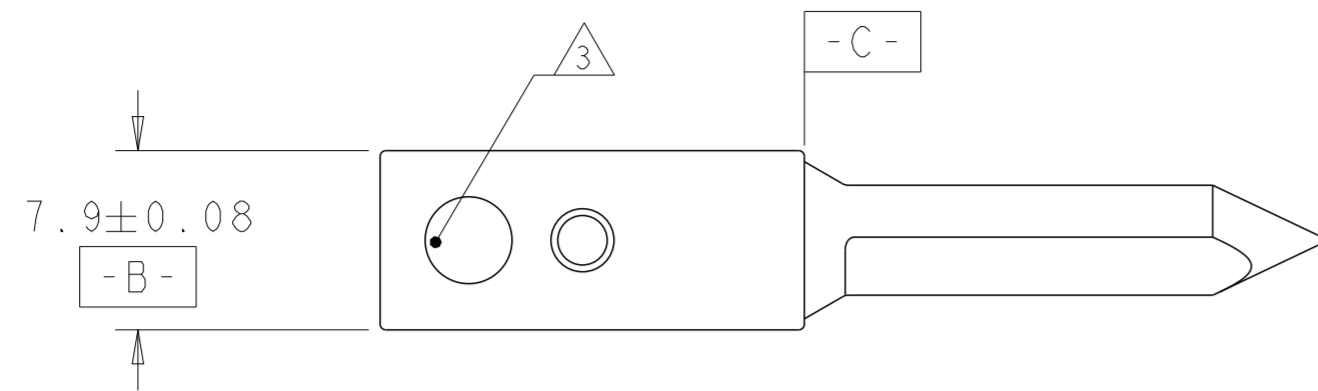
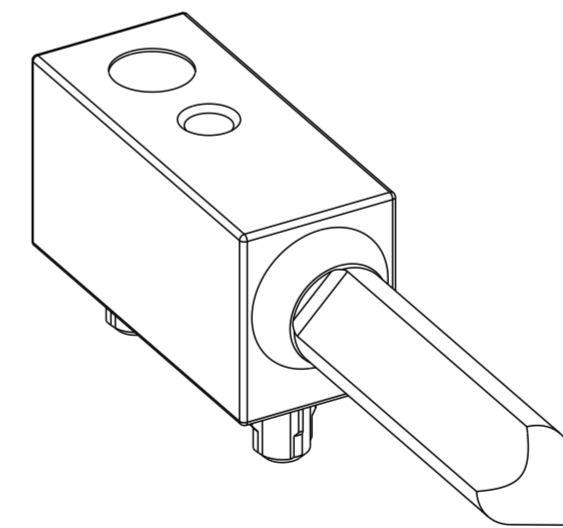
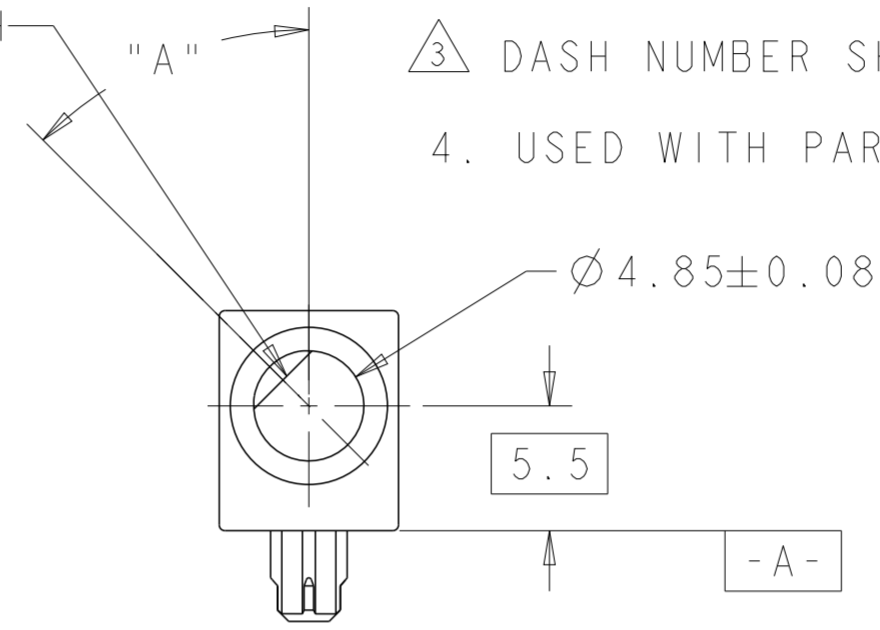


THIS DRAWING IS UNPUBLISHED. RELEASED FOR PUBLICATION 20
 © COPYRIGHT 20 BY TYCO ELECTRONICS CORPORATION. ALL RIGHTS RESERVED.

LOC	DIST	REVISIONS					
CG	00	P	LTR	DESCRIPTION	DATE	DWN	APVD
		A1		REVISED PER ECO-10-016204	09AUG2010	DH	DY
		A2		REV PER ECR-22-128764	07FEB2022	ML	SH



△1 MATERIAL: ZINC ALLOY DIE CAST, ZAMAK 3.
 △2 FINISH: CHROMATE CONVERSION COATING. ROHS COMPLIANT.
 △3 DASH NUMBER SHOWN THIS LOCATION.
 4. USED WITH PART NUMBER 223986-X.



1469265-2 AS SHOWN

N/A (ROUND)	1469265-9
315°	1469265-8
270°	1469265-7
225°	1469265-6
180°	1469265-5
135°	1469265-4
90°	1469265-3
45°	1469265-2
0°	1469265-1
DIM A	PART NUMBER

DIMENSIONS:		TOLERANCES UNLESS OTHERWISE SPECIFIED:	
mm		0 PLC	±
		1 PLC	±0.5
		2 PLC	±0.15
		3 PLC	±0.100
		4 PLC	±
		ANGLES	±5°
MATERIAL	△1	FINISH	△2

DWN	25OCT2002
CHK	D. SZCZESNY
APVD	R. PATTERSON
PRODUCT SPEC	
APPLICATION SPEC	
WEIGHT	-
CUSTOMER DRAWING	

Tyco Electronics Harrisburg, PA 17105-3608	
NAME: UNIVERSAL POWER MODULE RIGHT ANGLE MALE GUIDE PIN, KEYED	
SIZE: A2	CAGE CODE: 00779
DRAWING NO: C-1469265	RESTRICTED TO:
SCALE: 3:1	SHEET 1 OF 1
REV: A2	