

B.2: Validé

SIDE VIEW FOR EACH VERSION

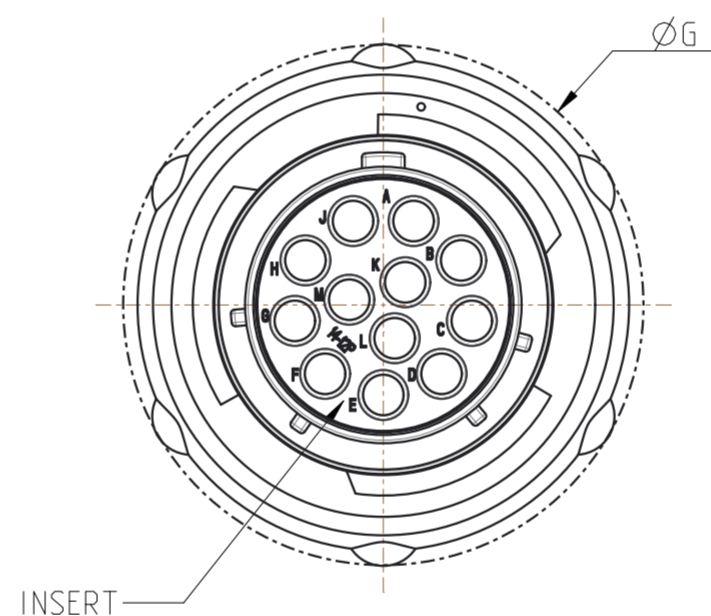
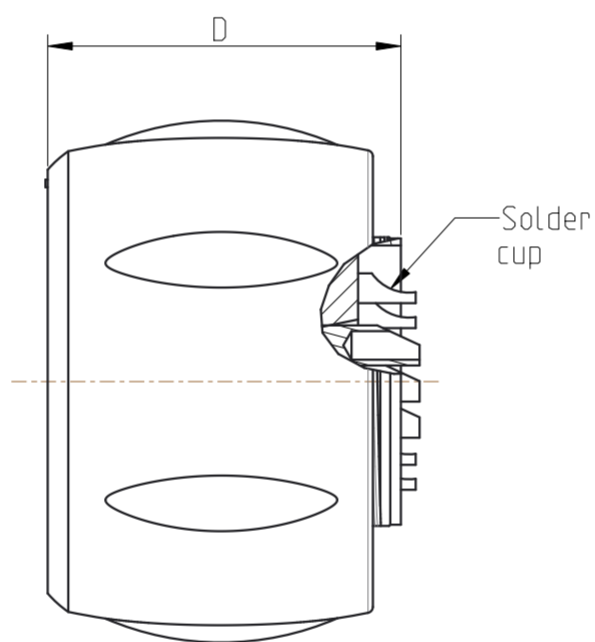
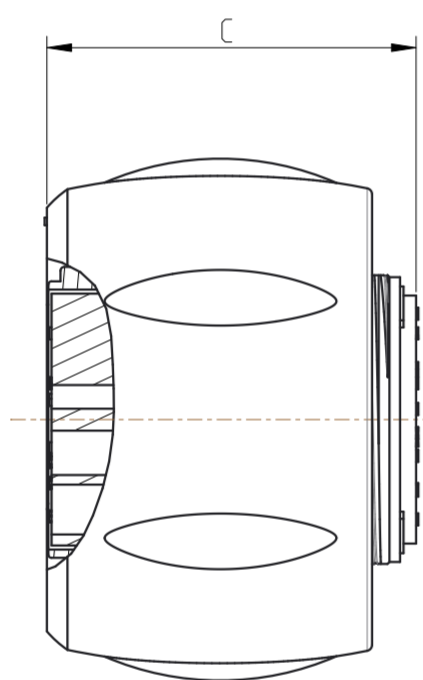
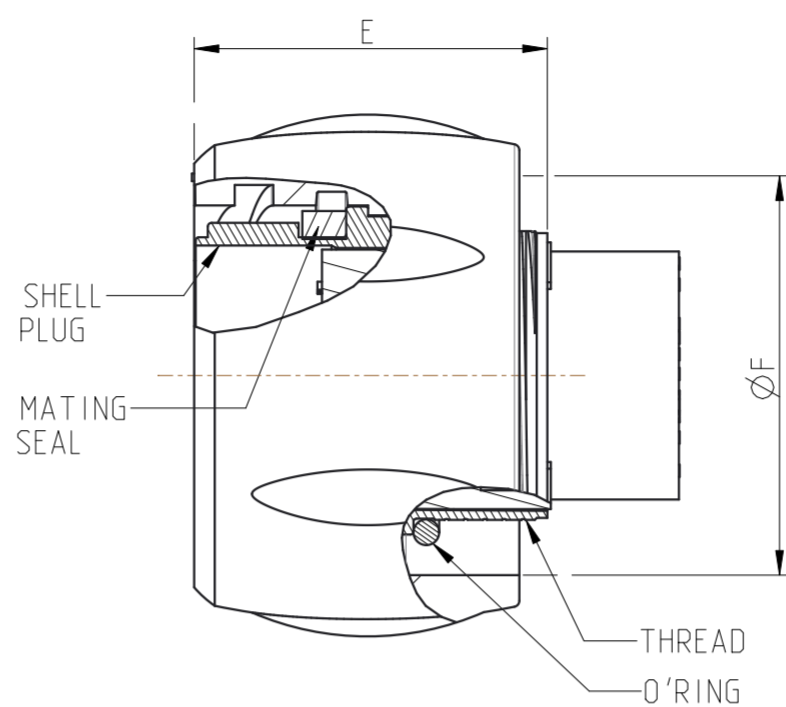
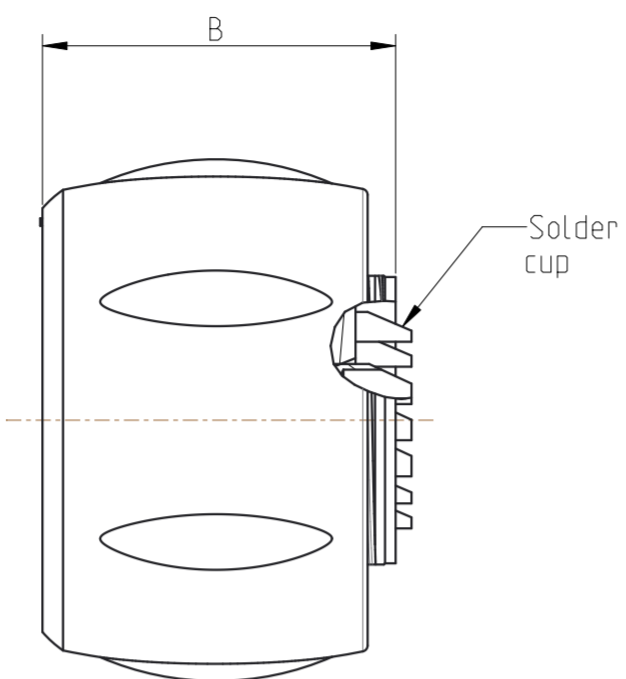
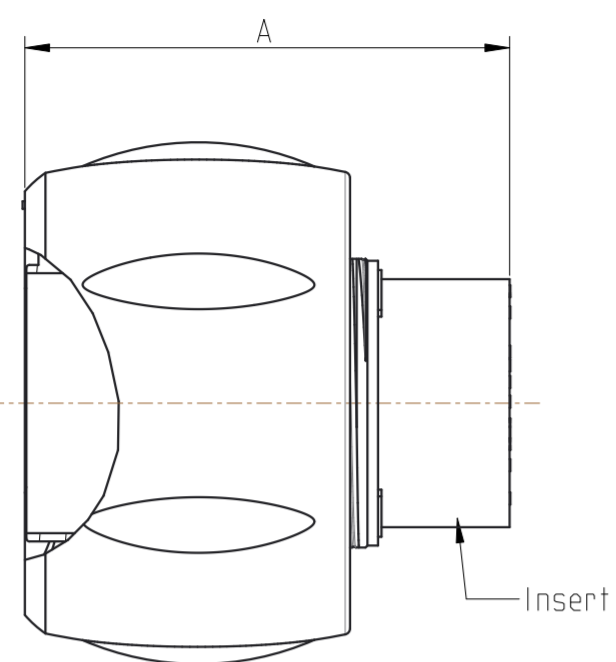
COMMON QUOTES FOR ALL VERSION

UTSX6-----

UTSX6--E---

UTSX6-----P

UTSX6-----S



MATERIAL :

- SHELL : PA UL94 V0, UL746C F1 Black color
- COUPLING RING: PA UL94 V0, UL746C F1 Black color
- INSERT (UTSX0-----) : PA UL94 V0, UL746C F1
- INSERT (UTSX0--E---) : Polychloroprene UL94 HB
- O'RING : NITRIL
- MATING SEAL : SILICON
- CONTACTS: brass + coated depending on P/N

PERFORMANCE CHARACTERISTICS :

Operating temperature: -40°C up to 105°C
 Insulation resistance: 5000 MΩmin under 500V
 Corrosion salt spray: 500 hours
 Durability: 250 matings and unmatings

Sealing conditions: SEE TABLE

NOTA:

- 1- Contact to be ordered separately for version UTSX0----- : refer to corresponding catalogue.
- 2- Insert arrangement refer to:

UTX_LAYOUT (Standard Version)
 UTX-HS_LAYOUT (HiSeal Version)

Country	Jurisdiction & Control List
FR	NOT LISTED

SOURIAU shall not be liable for any non-conformity or damage due to a use of the Products which does not comply with the Specifications issued by either of the Parties or by a third party (professional recommendation, technical notice.)

P/N : CROSS REF TABLE

BASIC SERIES	UTSX 6 14 E 19 P -	* P/N for example	
SHELL TYPE	6 Plug		
SHELL SIZE	10 12 14		
TYPE OF LAYOUT	Standard layout (No digit) E : HISeal Handsolder contacts		
INSERT ARRANGEMENT	See NOTA 2	ORIENTATIONS	Normal (no digit) W.X.Y.Z
		TYPE OF CONTACTS	P: MALE S: FEMALE

SEALING CONDITIONS

Sealing in MATED conditions with COUNTERPART:
 -IP6x : No ingress of dust
 -IPx8 1 bar during 1 week: immersion under 10 m of water.
 -IPx9K : exposure to high pressure water of cleaning equipment (IEC 60529)

Sealing in MATED conditions with COUNTERPART and UNMATED conditions:
 -IP6x : No ingress of dust
 -IPx8 1 bar during 1 week: immersion under 10 m of water.
 -IPx9K : exposure to high pressure water of cleaning equipment (IEC 60529)

SHELL SIZE	MAX				min	±0.2	MAX	THREAD CLASS 2A
	A	B	C	D	E	ØF	ØG	
10						20.3	26.2	9/16-24 UNEF
12	33.3	24	25.5	24	23.5	23.5	29.7	11/16-24 UNEF
14						26.7	34.6	13/16-20 UNEF

B	15/09/2021	Mass column deleted	25782C
ISS	DATE	Latest modification - by:	Q.LECOMTE
Designed by:	J.GAMBIER	Date: 1 20/07/2020	CUSTOMER DRAWING
TITLE	PLUG T6 WITHOUT BACKSHELL - SIZE 10 12 & 14. Standard and HiSeal version CONNECTEUR UTSX		
Scale	2/1	Dimensions in mm General Linear Tolerances: ± 0.2	NPRDS / PROJECT GGB
FORMAT	A2	SOURIAU DRG N° UTSX-0004A-C	SHEET 1 / 1



www.souriau.com

This document is the property of SOURIAU. It must not be reproduced or communicated without permission.