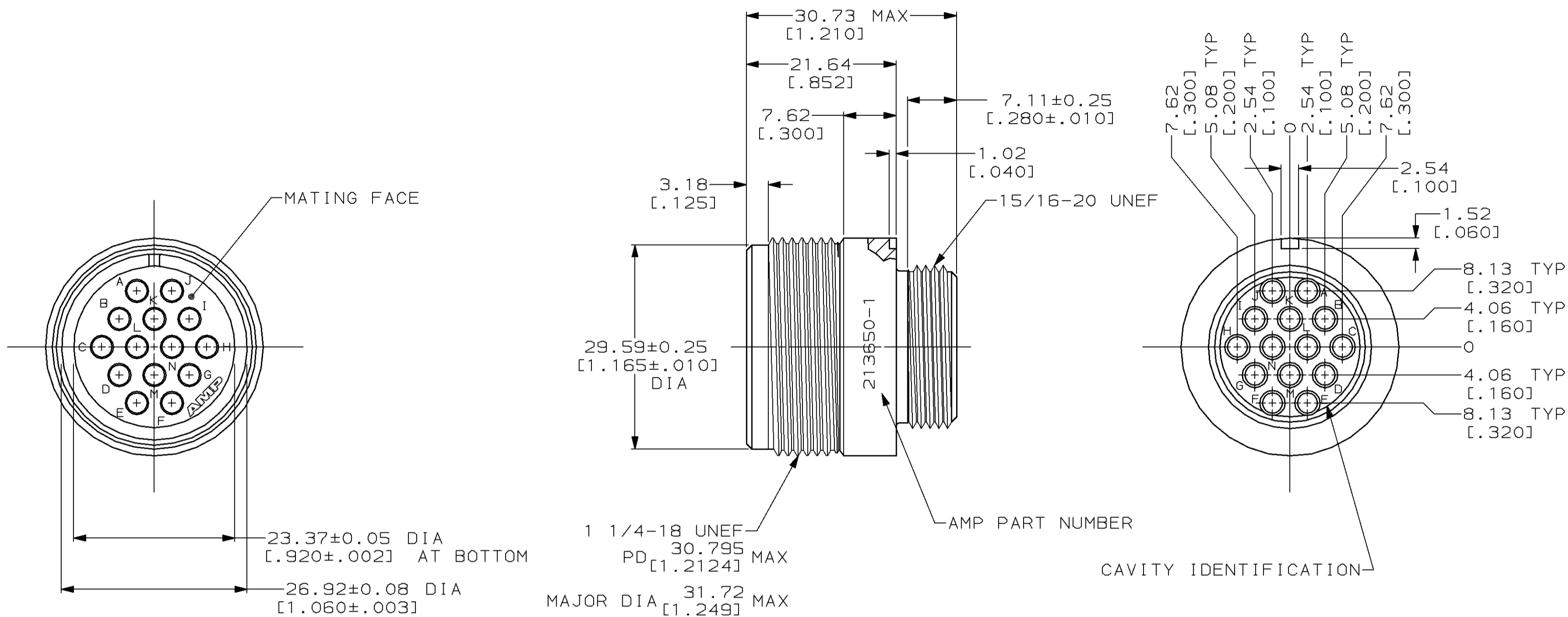


MOD	LOC	DIST	P	F	ZONE	LTR	DESCRIPTION	DATE	APPD
4	BD	35					RLSE PER NPR 3280, WAS 90-5029-23	01/16/91	KB
							REV PER ECN BD4781	03/12/91	-
							REV PER EC 0020-299-93	04/08/93	RW
							REV PER EC 0020-0740-94	07/13/94	AF



1. RECEPTACLE MATES WITH PLUG, AMP PART NUMBER 213572-1.
2. RECEPTACLE WILL ACCEPT TYPE III+ SOCKET CONTACTS.
3. RECEPTACLE MATES WITH PRODUCT DESIGNED TO MIL SPEC 5015.

		213650-1	
		PART NO	
DO NOT SCALE PRINT. UNLESS SPECIFIED DIMENSIONS IN mm [INCHES] TOLERANCES ON : 2 PLC DEC ± 0.13 [.005] 3 PLC DEC ± - ANGLES ± -		AMP Incorporated Harrisburg, PA 17105-3608	
MATERIAL	POLYAMID, BLACK	NAME RECEPTACLE, 20-14 ARR, REVERSE SEX, CPC	
FINISH	-	SIZE	CAGE CODE
		114-10004	00779
		SCALE	DRAWING NO
		2:1	213650
			SHEET
			1 OF 1