

RSF20 SERIES

LOW LEVEL SWITCH FOR BOILING WATER



Features

- Pivot out of liquid
- Low level switch position
- Many WRAS (approved for use in hot & cold water) and NSF approved variants
- Many variants are UL recognised components File No. E171218
- Flying lead or M12 connector

SPECIFICATIONS

Technical

Material	Polyphenylene Sulphide (PPS)				
Colour	Grey				
Temp. Range	<table border="0"> <tr> <td>°C</td> <td>-10/+120*</td> </tr> <tr> <td>°F</td> <td>+14/+248*</td> </tr> </table>	°C	-10/+120*	°F	+14/+248*
°C	-10/+120*				
°F	+14/+248*				
Minimum Liquid SG	0.80				
Must Close Level (SG=1)	125mm				
Must Open Level (SG=1)	85mm				

* Maximum temperature requires ETFE cable to be specified.

The RSF20 is designed to eliminate the problems associated with limescale build up around the pivot point on a conventional float switch.

This particular series is primarily for applications where a low level condition has to be monitored, in a system where the liquid is usually maintained at a high level, or where a wider differential is required between the opening and closing levels.

The extended drop float actuator allows the switch housing and float pivots to be located above the surface of the liquid, while the excess buoyancy of the float chamber itself ensures that it floats, even when scale builds up on the float chamber.

Typical applications include wall kettles and hot vending machines.

The switch is closed when the level is low (float down) and opens as the liquid level rises.

Versions are available with either flying leads or M12 circular connector.

Optional plug and cables assemblies are available for use with M12 connection versions.

Electrical

		25W (Y code)	100W (H code)
Contact Form		N/C	N/C
Switching Power Max	VA	25	100
Switching Voltage AC Max	V	240	300
Switching Voltage DC Max	V	120	300
Switching Current Max	A	0.6	1

All ratings are for resistive load only.

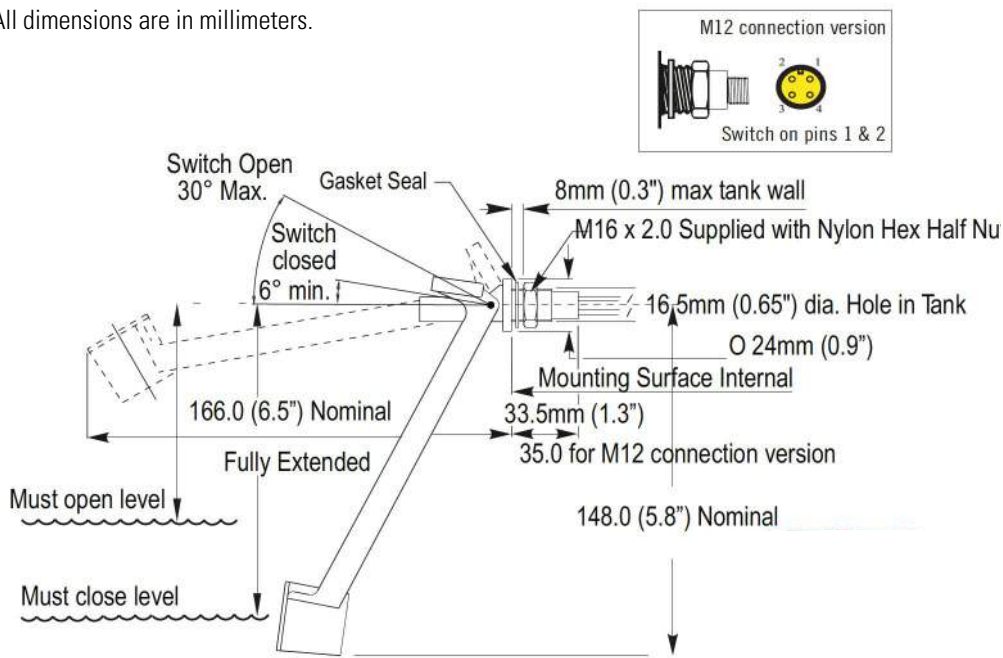
STANDARD PARTS

	Material	Approvals	Max Power	Leadouts	Gasket
RSF26H050TG	PPS	WRAS, UL & NSF	100VA	50cm ETFE 19/0.2	Viton
RSF26H100RF	PPS	WRAS, UL & NSF	100VA	1 metre PVC 16/0.2	Nitrile
RSF26Y050TG	PPS	WRAS, UL & NSF	25VA	50cm ETFE 19/0.2	Viton
RSF26Y100RF	PPS	WRAS, UL & NSF	25VA	1 metre PVC 16/0.2	Nitrile
RSF26HFP	PPS	WRAS, UL & NSF	100VA	M12 connector	Nitrile
RSF26YFP	PPS	WRAS, UL & NSF	25VA	M12 connector	Nitrile

Custom versions can be made for particular applications. Please contact Sensata with your requirements.

DIMENSIONS

All dimensions are in millimeters.



Made in the UK

Page 2

Sensata Technologies, Inc. ("Sensata") data sheets are solely intended to assist designers ("Buyers") who are developing systems that incorporate Sensata products (also referred to herein as "components"). Buyer understands and agrees that Buyer remains responsible for using its independent analysis, evaluation and judgment in designing Buyer's systems and products. Sensata data sheets have been created using standard laboratory conditions and engineering practices. Sensata has not conducted any testing other than that specifically described in the published documentation for a particular data sheet. Sensata may make corrections, enhancements, improvements and other changes to its data sheets or components without notice.

Buyers are authorized to use Sensata data sheets with the Sensata component(s) identified in each particular data sheet. HOWEVER, NO OTHER LICENSE, EXPRESS OR IMPLIED, BY ESTOPPEL OR OTHERWISE TO ANY OTHER SENSATA INTELLECTUAL PROPERTY RIGHT, AND NO LICENSE TO ANY THIRD PARTY TECHNOLOGY OR INTELLECTUAL PROPERTY RIGHT, IS GRANTED HEREIN. SENSATA DATA SHEETS ARE PROVIDED "AS IS". SENSATA MAKES NO WARRANTIES OR REPRESENTATIONS WITH REGARD TO THE DATA SHEETS OR USE OF THE DATA SHEETS, EXPRESS, IMPLIED OR STATUTORY, INCLUDING ACCURACY OR COMPLETENESS. SENSATA DISCLAIMS ANY WARRANTY OF TITLE AND ANY IMPLIED WARRANTIES OF MERCHANTABILITY, FITNESS FOR A PARTICULAR PURPOSE, QUIET ENJOYMENT, QUIET POSSESSION, AND NON-INFRINGEMENT OF ANY THIRD PARTY INTELLECTUAL PROPERTY RIGHTS WITH REGARD TO SENSATA DATA SHEETS OR USE THEREOF.

All products are sold subject to Sensata's terms and conditions of sale supplied at www.sensata.com SENSATA ASSUMES NO LIABILITY FOR APPLICATIONS ASSISTANCE OR THE DESIGN OF BUYERS' PRODUCTS. BUYER ACKNOWLEDGES AND AGREES THAT IT IS SOLELY RESPONSIBLE FOR COMPLIANCE WITH ALL LEGAL, REGULATORY AND SAFETY-RELATED REQUIREMENTS CONCERNING ITS PRODUCTS, AND ANY USE OF SENSATA COMPONENTS IN ITS APPLICATIONS, NOTWITHSTANDING ANY APPLICATIONS-RELATED INFORMATION OR SUPPORT THAT MAY BE PROVIDED BY SENSATA.

Mailing Address: Sensata Technologies, Inc., 529 Pleasant Street, Attleboro, MA 02703, USA.

CONTACT US

+44 (0)1202 897969
 c3w_sales@sensata.com
 Cynergy3 Components Ltd.
 7 Cobham Road,
 Ferndown Industrial Estate,
 Wimborne, Dorset,
 BH21 7PE, United Kingdom