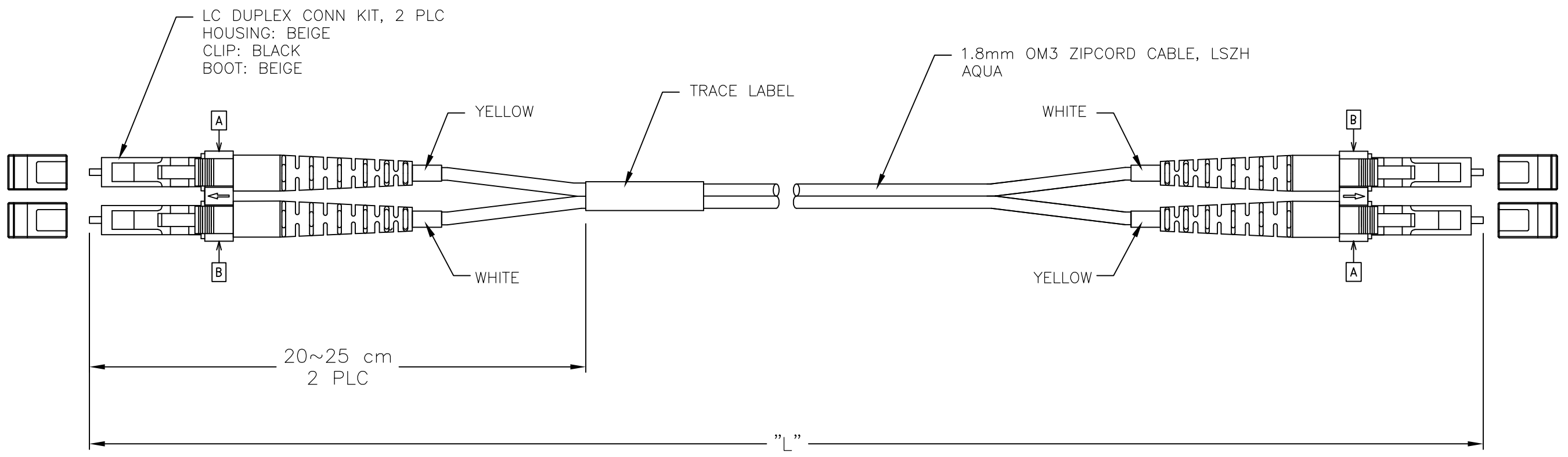


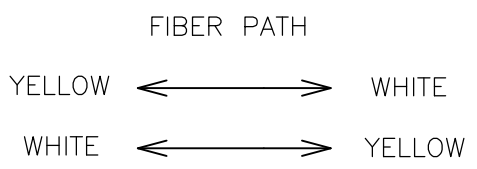
THIS DRAWING IS UNPUBLISHED. RELEASED FOR PUBLICATION  
 © COPYRIGHT - By - ALL RIGHTS RESERVED.

LOC	DIST	REVISIONS					
HG	-	P	LTR	DESCRIPTION	DATE	DWN	APVD
		D		ECO-15-003745	12MAR2015	BB	JO



NOTES:

- 1 INSERTION LOSS  $\leq$  0.3 dB, AGAINST REF. ACC. TO IEC 61300-3-4 AT 850nm CPR 20-24dB.
- 2 RETURN LOSS  $\geq$  20 dB, AGAINST REF. ACC. TO IEC 61300-3-4 AT 850nm.



PART NUMBER	"L" (METER)	* THE TOLERANCES OF STANDARD LENGTH REFER TO CUSTOMER DRAWING 1206850
X-1568503-Y	XY,0	
9-1568503-2	2.50	

THIS DRAWING IS A CONTROLLED DOCUMENT.		DWN	SHI BI YUN	17OCT05	TE Connectivity		
DIMENSIONS: mm		CHK	ALLEN GUMP	17OCT05			
TOLERANCES UNLESS OTHERWISE SPECIFIED:		APVD	RICHARD ZHAO	17OCT05	NAME		
0 PLC $\pm -$ 1 PLC $\pm -$ 2 PLC $\pm -$ 3 PLC $\pm -$ 4 PLC $\pm -$ ANGLES $\pm -$		PRODUCT SPEC		FOMM50XG LEAD 1.8TZ LC/DPX - LC/DPX, LSZH, AQUA			
MATERIAL		APPLICATION SPEC		SIZE			RESTRICTED TO
FINISH		WEIGHT		CAGE CODE		DRAWING NO	
		CUSTOMER DRAWING		A3 00779		C-1568503	
		SCALE		SHEET		REV	
		NTS		1 OF 1		D	