

NOTES:

1. MATERIALS AND FINISHES:
 BODY, BAYONET SLEEVE, WASHER & RETAINING RING - BRASS, NICKEL PLATING
 OUTER CONTACT - BeCu, NICKEL PLATING
 CONTACT - PHOSPHOR BRONZE, GOLD PLATING
 FERRULE - COPPER, NICKEL PLATING
 INSULATOR - PTFE
 SPRING - STAINLESS STEEL, PASSIVATED
 O-RING - SILICONE RUBBER, RED
2. ELECTRICAL:
 A. IMPEDANCE: 75 OHM
 B. FREQUENCY RANGE: DC - 4 GHz
 C. DIELECTRIC WITHSTANDING VOLTAGE: 1000 VRMS, MIN.
3. MECHANICAL:
 A. DURABILITY: 500 CYCLES MIN.
 B. TEMPERATURE RANGE: -65° C TO +165° C
4. PACKAGING:
 A. QUANTITY: SINGLE PACK
 B. MARKING: BAG TO BE MARKED:
 "AMPHENOL RF, 34-1100" DATE CODE
5. HIGH DENSITY INSTALLATION/REMOVAL TOOL: 227-T2000

6. CABLE ASSEMBLY INSTRUCTIONS:
 A. TRIM CABLE AS SHOWN.
 B. SOLDER CONTACT TO CABLE CENTER CONDUCTOR
 C. INSERT CONTACT AND CABLE INTO CONNECTOR
 D. CRIMP FERRULE WITH .178" HEX.
 E. APPLY HEAT SHRINK TUBING OVER FERRULE
 F. HEAT SHRINK TUBING SHOULD FULLY (360 DEG)
 COVER THE BUMP ON BODY AND END WITHIN AREA "A"

7. SHOWS CABLE ENTRY DIMENSIONS.

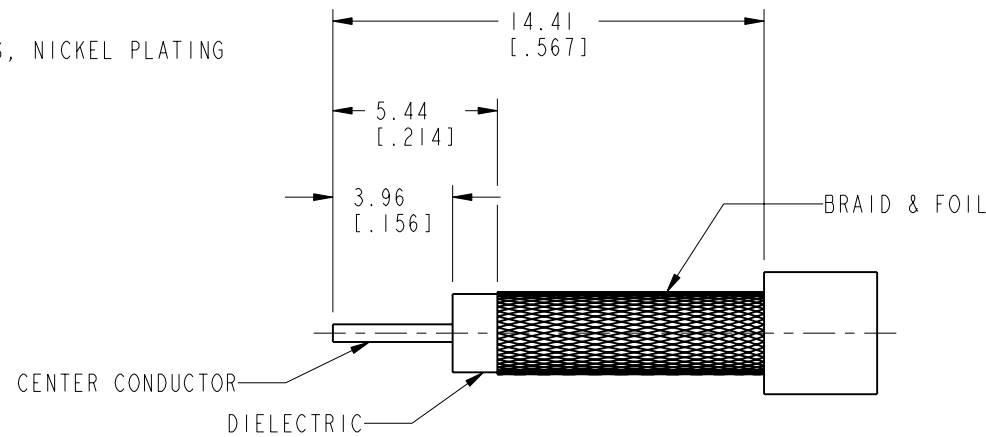
8. ADHESIVE LINED HEAT SHRINK TUBE IS INCLUDED (NOT SHOWN).

9. SEALING: IP67 IN MATED CONDITION.

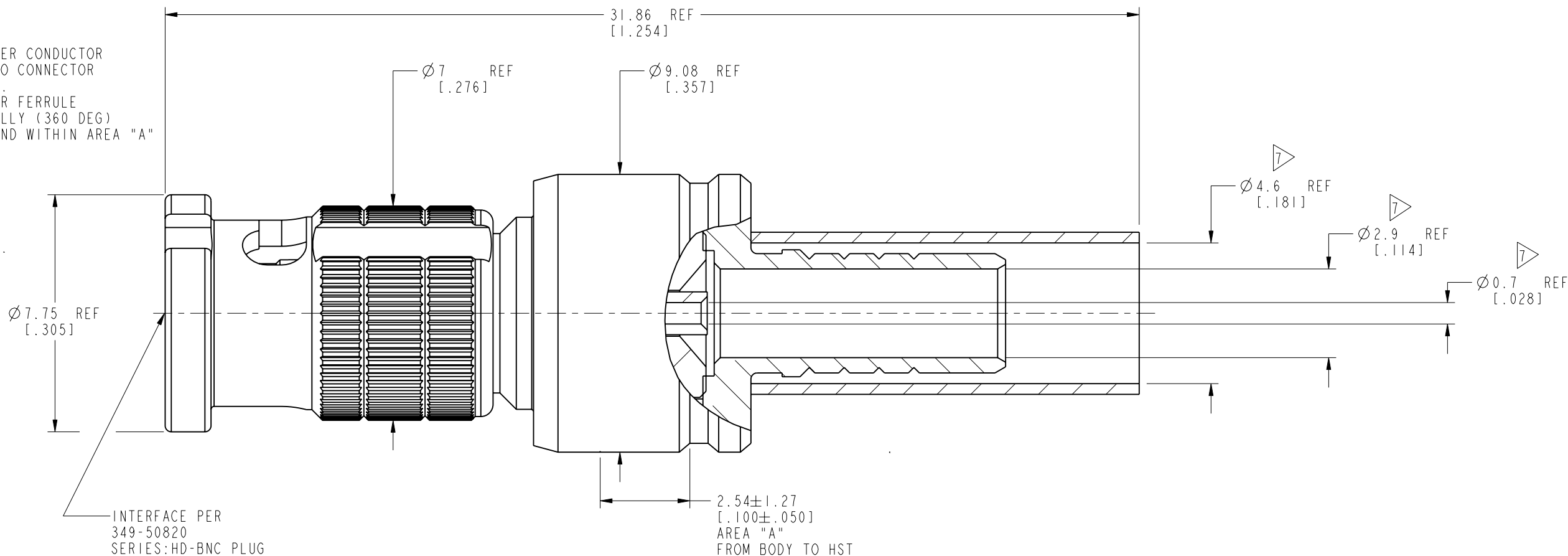
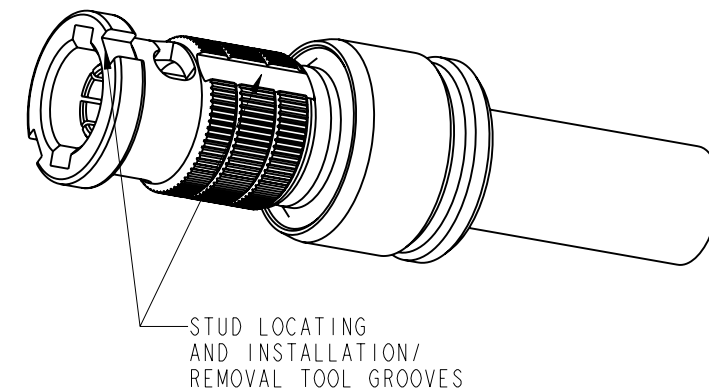
THIRD ANGLE PROJ.

REVISIONS

REV	DESCRIPTION	DATE	ECO	APPR
A	RELEASE TO MFG.	15-Jun-16	01042	MM



RECOMMENDED CABLE STRIPPING DIMENSIONS



CUSTOMER OUTLINE DRAWING

ALL OTHER SHEETS ARE FOR INTERNAL USE ONLY

UNLESS OTHERWISE SPECIFIED, DIMENSIONS ARE IN METRIC AND TOLERANCES ARE:
 < 0.5mm ± 0.05mm 0.5 - 6mm ± 0.1mm 6 - 30mm ± 0.2mm 30 - 120mm ± 0.3mm ANGLES ± 1°

NOTICE - These drawings, specifications, or other data (1) are, and remain the property of Amphenol corp. (2) must be returned upon request; and (3) are confidential and not to be disclosed to any person other than those to whom they are given by Amphenol Corp. the furnishing of these drawings, specifications, or other data by Amphenol Corp., or to any other person for any purpose is not to be regarded by implication or otherwise in any manner licensing, granting rights to permitting such holder or any other person to manufacture, use or sell any product, process or design, patented or otherwise, that may in any way be related to or disclosed by said drawings, specifications, or other data.

MATERIAL SEE NOTES	DRAWN STAR	DATE 15-Jun-16
REFERENCE 7207 AND	ENGINEER SUNDE	DATE 15-Jun-16
CONFIGURATION LEVEL: In Work	APPROVED S.HSIEH	DATE 15-Jun-16
FINISH	CAD FILE	

TITLE HD-BNC STR PLUG FOR BELDEN 1855A CABLE, IP67 SEALED
SCALE: 2.0:1.0 SHEET 2 OF 2
DWG SIZE B REV A

Amphenol RF	
www.amphenolrf.com	
DRAWING NO.	34-1100
ITEM NO.	34-1100
PART NO.	34-1100