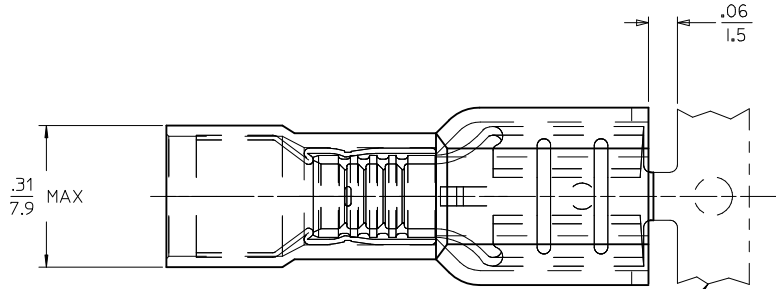
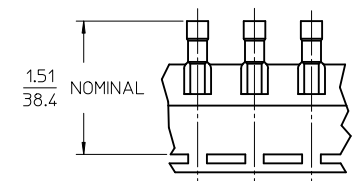


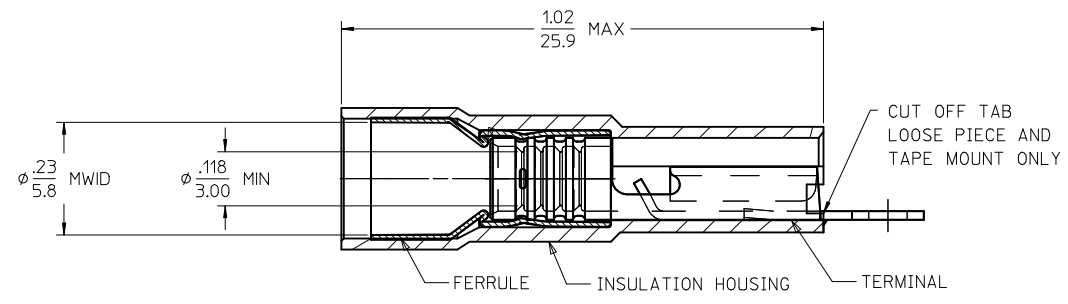
MATERIAL NO.	ENGINEERING P/N	CARRIER STYLE
196060004	C-5293Z	METAL STRIP
196060005	C-5293	LOOSE PIECE
196060006	C-5293T	TAPE MOUNT



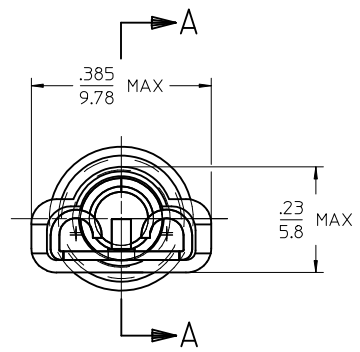
METAL CARRIER STRIP,  
METAL STRIP PARTS ONLY



PARTS ON TAPE  
SCALE: NONE



SECTION A-A



NOTES:

- MATERIALS:  
HOUSING: 94V-2 NYLON, YELLOW  
TERMINAL: BRASS, .018/0.46 THICK REF., MATTE TIN PLATED  
FERRULE: COPPER ALLOY, MATTE TIN PLATED
- ACCEPTS TAB SIZE .250 x .032 (6.35 x 0.81).
- MWID = MAXIMUM WIRE INSULATION DIAMETER.
- PARTS ARE ROHS COMPLIANT.

<b>REVISIONS</b> RLS: FERRULE MATL EC NO: MNA2010-0610 DRW: ETHRODAHL 2010/03/31 CHKD: JMACNEIL 2010/03/31 APPR: JMACNEIL 2010/04/12	<b>QUALITY SYMBOLS</b> ▽=0 ▽=0	<b>GENERAL TOLERANCES (UNLESS SPECIFIED)</b>		<b>DIMENSION STYLE</b> IN/MM	<b>SCALE</b> 5:1	<b>DESIGN UNITS</b> INCH	THIRD ANGLE PROJECTION
		4 PLACES ± --- ± --- 3 PLACES ± --- ± --- 2 PLACES ± --- ± --- 1 PLACE ± --- ± --- ANGULAR ±1/2°	DRAWN BY ETHRODAHL DATE 2010/03/31	CHECKED BY JMACNEIL DATE 2010/03/31	APPROVED BY JMACNEIL DATE 2010/04/09	<b>TITLE</b> FIQD FEMALE AVIKRIMP LOW PROFILE .250X.032 TAB, 12-10 AWG	
<b>DESCRIPTION</b> A	<b>DRAFT WHERE APPLICABLE MUST REMAIN WITHIN DIMENSIONS</b>	<b>SEE CHART</b>		<b>DOCUMENT NO.</b> SD-19606-003		<b>THIS DRAWING CONTAINS INFORMATION THAT IS PROPRIETARY TO MOLEX INCORPORATED AND SHOULD NOT BE USED WITHOUT WRITTEN PERMISSION</b>	