

Technical specification:

Rated voltage: IEC 61076-2-101	5pos 60 V
Current rating: IEC 61076-2-101	4A at 40°C
Insulation resistance: IEC 60512-2	≥10 GΩ
Pollution degree: IEC 60664-1	3/2
Degree of protection: IEC 60529	IP 67, in mated condition
Temperature range: IEC 60664-1	-20°C ... +80°C
Mating cycles: IEC 60512-9a	≤100

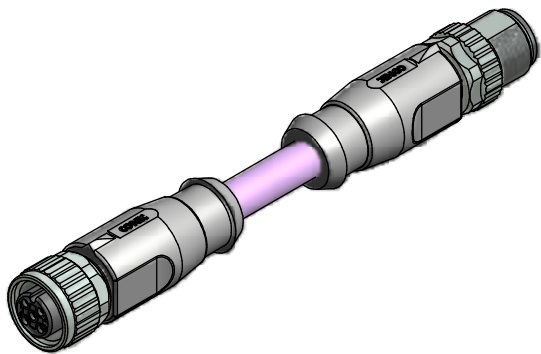
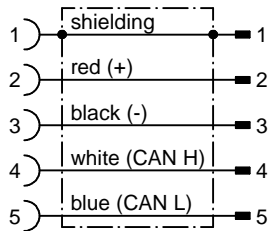
Materials:

Contact:	CuZn
Contact plating:	Nickel, gold plated
Contact carrier:	TPU GF, UL 94
Sealing:	FPM
Coupling nut/ screw:	GD-Zn, nickel plated
Moulding body:	TPU, UL 94, grey

Installation specification:

Recommended torque:	0,6 Nm
Conec installation tool:	Torque wrench: 36-000200 Insert across flats 13: 36-000220

Contact assignment:



Part no:	Description:	Length L:	Cable:
43-12528	SAL - DN - 12 - RK5.3 - RS5.3 - 0,3 / GJ	0,3m	TPU, UL, violet, 2xAWG22 + 2xAWG24, flexible installation Cable: 781-GJ0400
43-12529	SAL - DN - 12 - RK5.3 - RS5.3 - 0,6 / GJ	0,6m	
43-12530	SAL - DN - 12 - RK5.3 - RS5.3 - 1,5 / GJ	1,5m	
43-12531	SAL - DN - 12 - RK5.3 - RS5.3 - 3 / GJ	3m	
43-xxxxx	SAL - DN - 12 - RK5.3 - RS5.3 - ... / GJ	x	

D see data sheet cable

DO NOT ALTER CAD DRAWING BY HAND Directive 2002/95/EC RoHS compliant	Index: a 14.03.2011 VF Ä3767 Coupling nut/ screw modified, spanner flats added, data sheet modified	dim. in mm	title: Connecting cable M12x1, female connector axial - male connector axial, DeviceNet		
	tolerance of cable: L ≤ 4m: L + 40mm L > 4m: L + 1%			date	name
	THIS DRAWING MAY NOT BE COPIED OR REPRODUCED IN ANY WAY, AND MAY NOT BE PASSED ON TO A THIRD PARTY WITHOUT WRITTEN PERMISSION. OWNERSHIP AND COPYRIGHT OF CONEC GmbH	drawn		04.11.08	Mankopf
		appd.		04.11.08	Fromm
		dwg no: 43K1A807			
		part no: see table			