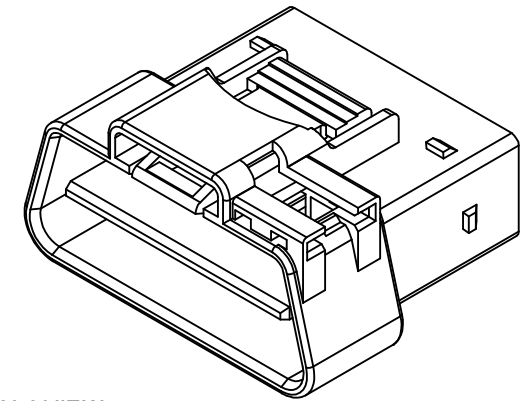
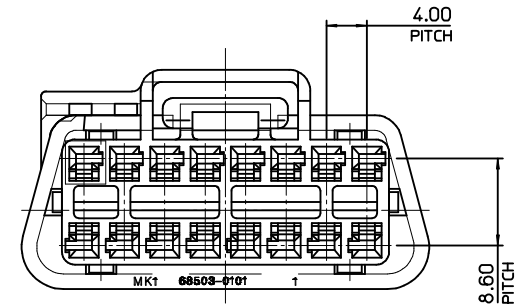
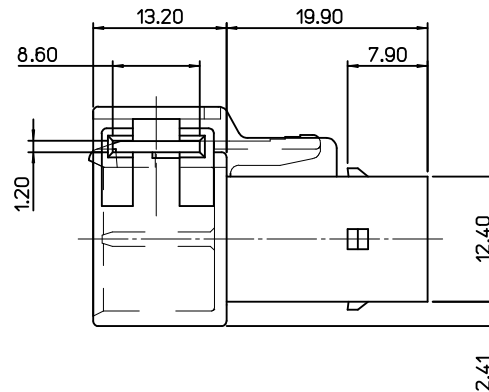
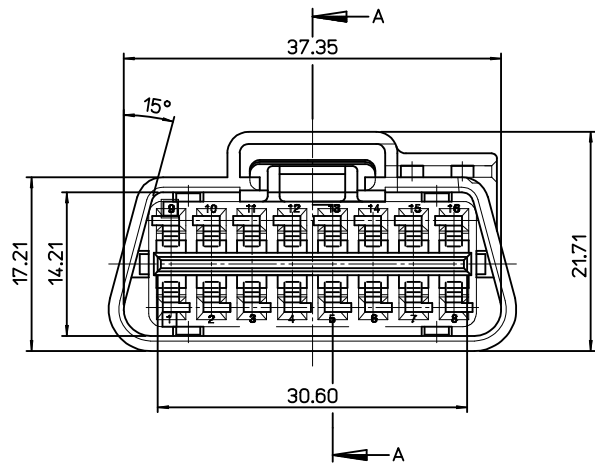


SECTION A-A



ISOVIEW



<TABLE 1>

| | |
|--------------|------------|
| 685031602 | 68503-1602 |
| MATERIAL NO. | ORDER NO. |

NOTE

1. MATERIAL : POLYESTER(PBT),BLACK
2. MATES WITH : HSG,51115-1601/51116-1601
TERMINAL,57964-9702
3. USE WITH(OPTION) : WIRE DRESS COVER,68503-0101
CPA,68503-0103

| | | | | | | | | | | | | | | | | | | | | | |
|---|--|--|-----------------|---|-----------------------|------------------------|-------|-------|----------|-------|-------|----------|--------|-------|---------|-------|-------|---------|-----|--------|--|
| REVISED EC NO: KOR2009-0034 DRW:EKIM 2008/10/08 CHKD:BYOON 2008/10/14 APPR: YUNSIKIM 2008/10/14 DESCRIPTION | QUALITY SYMBOLS | GENERAL TOLERANCES (UNLESS SPECIFIED) | DIMENSION STYLE | SCALE | DESIGN UNITS | THIRD ANGLE PROJECTION | | | | | | | | | | | | | | | |
| | $\nabla = 0$ $\sphericalangle = 0$ | <table border="1"> <tr> <td></td> <td>mm</td> <td>INCH</td> </tr> <tr> <td>4 PLACES</td> <td>± ---</td> <td>± ---</td> </tr> <tr> <td>3 PLACES</td> <td>± ---</td> <td>± ---</td> </tr> <tr> <td>2 PLACES</td> <td>± 0.30</td> <td>± ---</td> </tr> <tr> <td>1 PLACE</td> <td>± ---</td> <td>± ---</td> </tr> </table> | | mm | INCH | 4 PLACES | ± --- | ± --- | 3 PLACES | ± --- | ± --- | 2 PLACES | ± 0.30 | ± --- | 1 PLACE | ± --- | ± --- | MM ONLY | 2:1 | METRIC | |
| | | mm | INCH | | | | | | | | | | | | | | | | | | |
| | 4 PLACES | ± --- | ± --- | | | | | | | | | | | | | | | | | | |
| 3 PLACES | ± --- | ± --- | | | | | | | | | | | | | | | | | | | |
| 2 PLACES | ± 0.30 | ± --- | | | | | | | | | | | | | | | | | | | |
| 1 PLACE | ± --- | ± --- | | | | | | | | | | | | | | | | | | | |
| | ANGULAR ± 1° | | | | | | | | | | | | | | | | | | | | |
| | DRAFT WHERE APPLICABLE MUST REMAIN WITHIN DIMENSIONS | | | | | | | | | | | | | | | | | | | | |
| | | | DRAWN BY | DATE | TITLE | | | | | | | | | | | | | | | | |
| | | | HCRHO | 2001/12/29 | OBDM MALE HOUSING 16P | | | | | | | | | | | | | | | | |
| | | | CHECKED BY | DATE | | | | | | | | | | | | | | | | | |
| | | | HCRHO | 2001/12/29 | | | | | | | | | | | | | | | | | |
| | | | APPROVED BY | DATE | | | | | | | | | | | | | | | | | |
| | | | CWLEE | 2001/12/29 | | | | | | | | | | | | | | | | | |
| | | | MATERIAL NO. | DOCUMENT NO. | | | | | | | | | | | | | | | | | |
| | | | SEE TABLE1 | SD-68503-004 | | | | | | | | | | | | | | | | | |
| | | | SIZE | THIS DRAWING CONTAINS INFORMATION THAT IS PROPRIETARY TO MOLEX INCORPORATED AND SHOULD NOT BE USED WITHOUT WRITTEN PERMISSION | | | | | | | | | | | | | | | | | |
| | | | A3 | | | | | | | | | | | | | | | | | | |