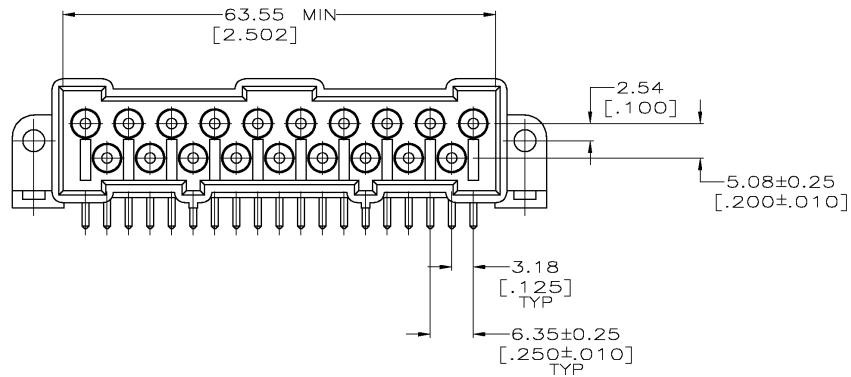
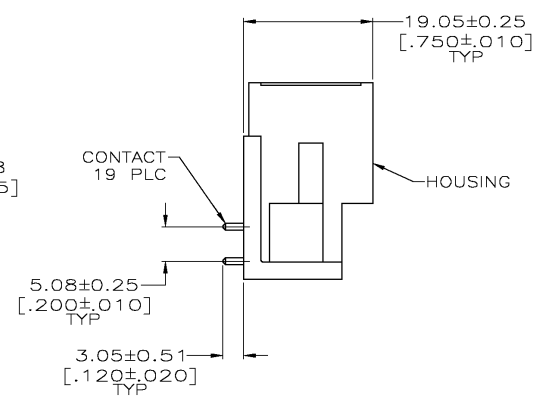
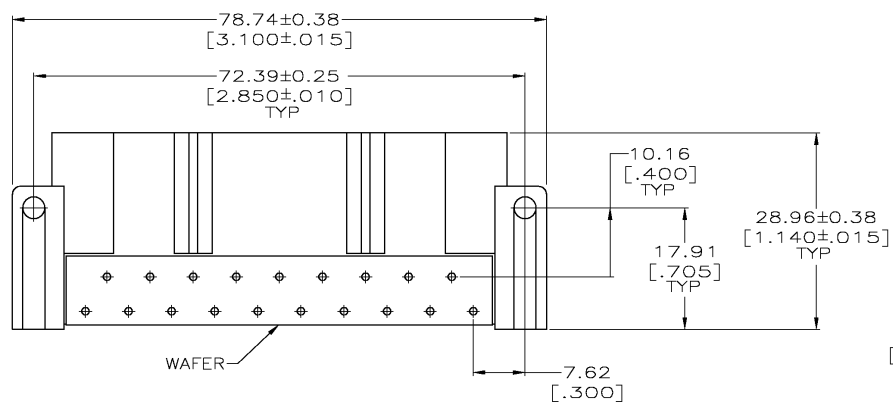


THIS DRAWING IS UNPUBLISHED. RELEASED FOR PUBLICATION  
 © COPYRIGHT BY TYCO ELECTRONICS CORPORATION. ALL RIGHTS RESERVED.

LOC		DIST		REVISIONS			
P	LT	DESCRIPTION	DATE	DWN	APPD		
	K	REVISED PER 0G3B-0354-04	4/23/04	SS	GS		



- △ NYLON, UL 94V-0 RATED, NATURAL (RED).
- △ PLASTIC LAMINATED SHEET.
- △ BRASS.
- △ 3.81μm [.000150] TIN-LEAD OVER COPPER.
- △ .000150 LEAD FREE TIN OVER CU.



△ 5	208099-3
△ 4	208099-1
PLATING	PART NO

THIS DRAWING IS A CONTROLLED DOCUMENT.		DWN L SIPE	05/13/92	Tyco Electronics Corporation Harrisburg, Pa
DIMENSIONS: INCHES		CHK W LENKER	5-14-92	
TOLERANCES UNLESS OTHERWISE SPECIFIED:		APD A TRAVIS	5-14-92	NAME PRODUCT SPEC APPLICATION SPEC WEIGHT RESTRICTED TO
0 PLC ± - 1 PLC ± - 2 PLC ± 0.13 [.005] 3 PLC ± - 4 PLC ± - ANGLES ± -		NAME PRODUCT SPEC APPLICATION SPEC WEIGHT RESTRICTED TO		
MATERIAL HOUSING: 1		FINISH CONTACTS: 4		
CUSTOMER DRAWING		SCALE 2:1 SHEET 1 OF 1 REV K		