

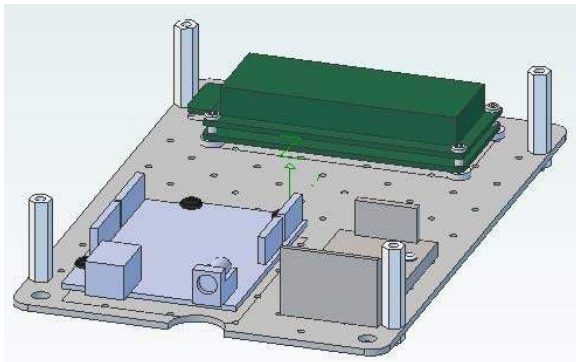
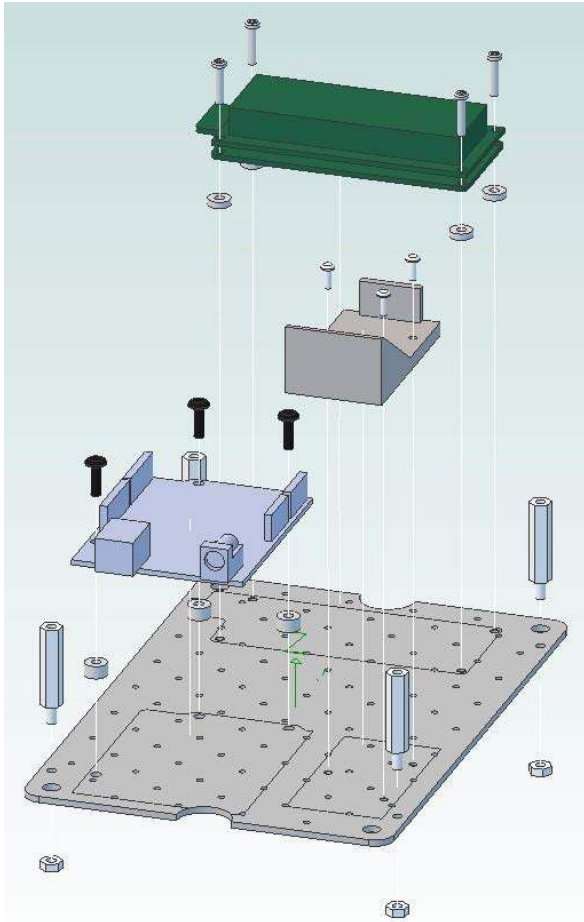
Starter bundle harness V1.0



Starter bundle harness is a board keeping the component of grove-starter bundle from collision. With a high quality, stuffs in the box can be really fastened.

NOTE: Before install the harness, Please get rid of the paper on it which protect the harness damaged.

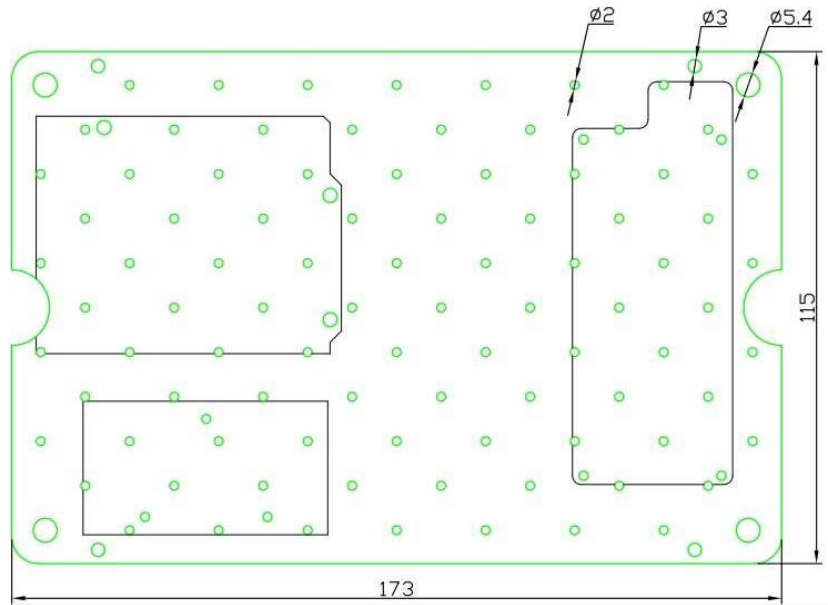
Assemble Instruction



Features

- Grove compatible interface
- Low power consumption (this is a joke)
- 2.0cm x 2.0cm Grove module

Mechanic Dimensions



Bill of Materials (BOM) /parts list

Devic	Value	Details (size:mm)
Plastic Board(FEG)	1	115x172x2
Screw	4	pm2.5x12
Nut	4	m2.5
Paper washer	4	id3od7h2 (external diameter 3, internal diameter 7 ,thickness 2)
Paper washer	3	id3od7h4(external diameter 3, internal diameter 7 ,thickness 4)
Nut	4	m3
Hexagon plastic pillar (with screw)	4	m3x25
Plastic rivet	25	2.0X6.4(diameter 2 length 6.4 ,black)
Plastic rivet	3	3.0X10(diameter 3 length 10 ,black)
Plastic Bag	1	200X150

Tech Support

Please submit any technical issue into our [forum](#) or drop mail to techsupport@seeed.cc.
http://wiki.seeedstudio.com/Starter_bundle_harness_V1//2-28-19