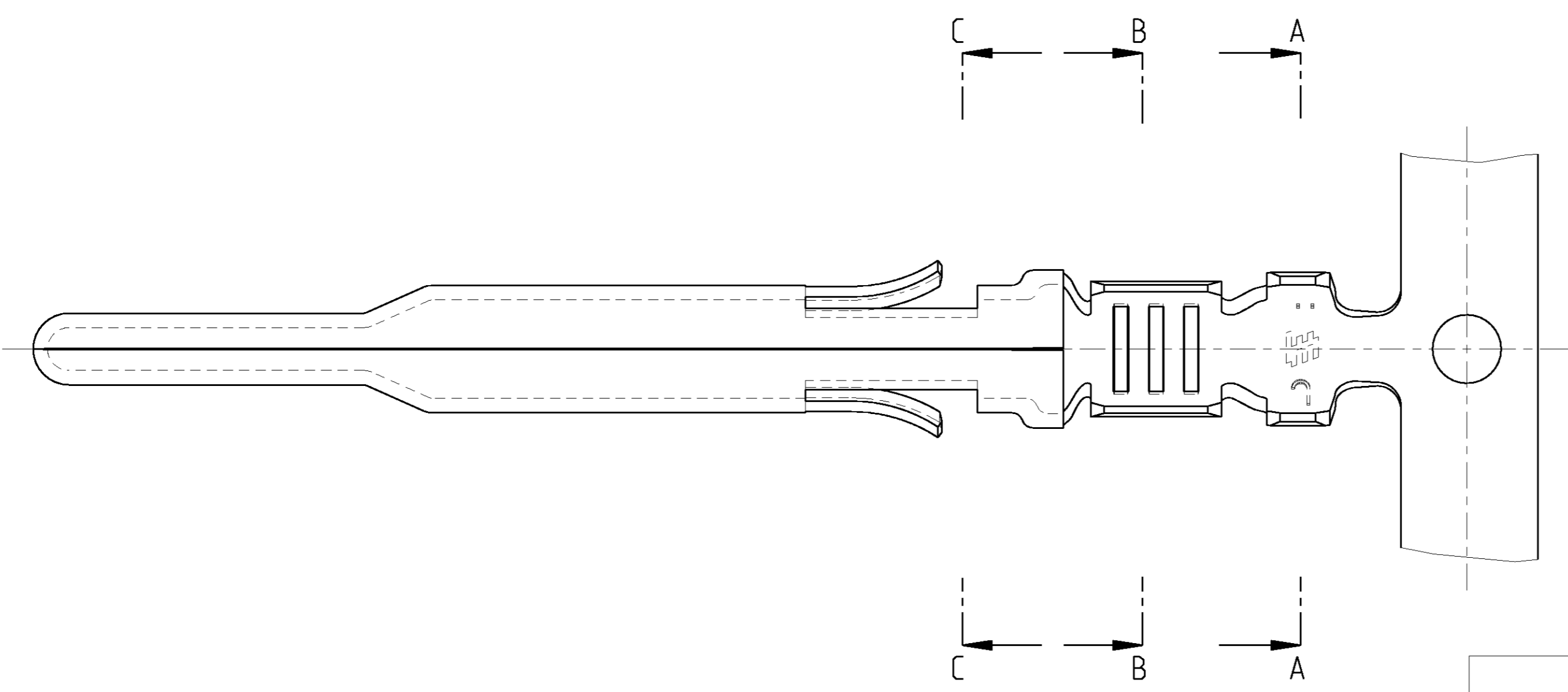
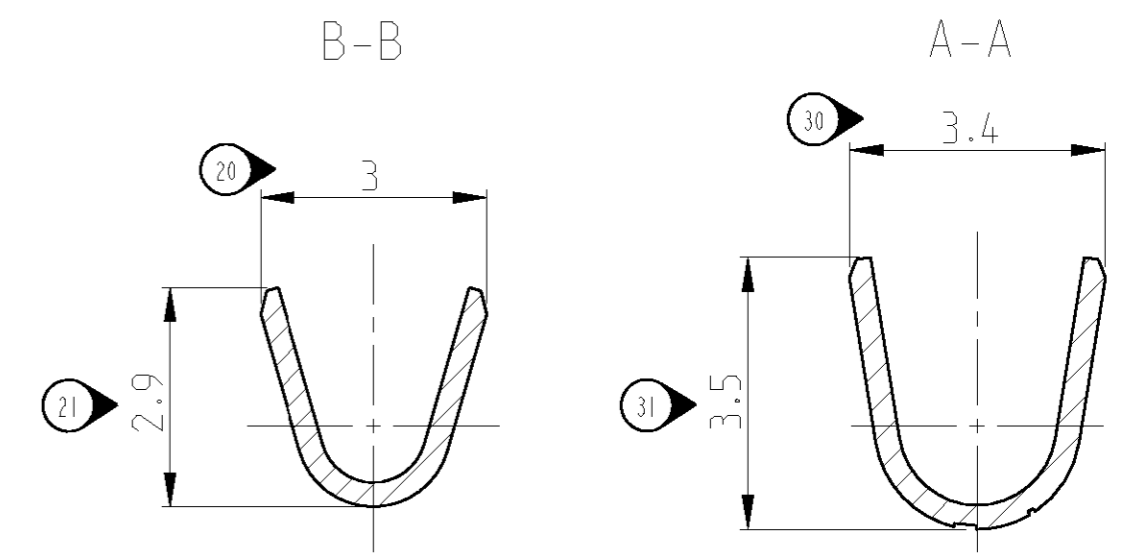
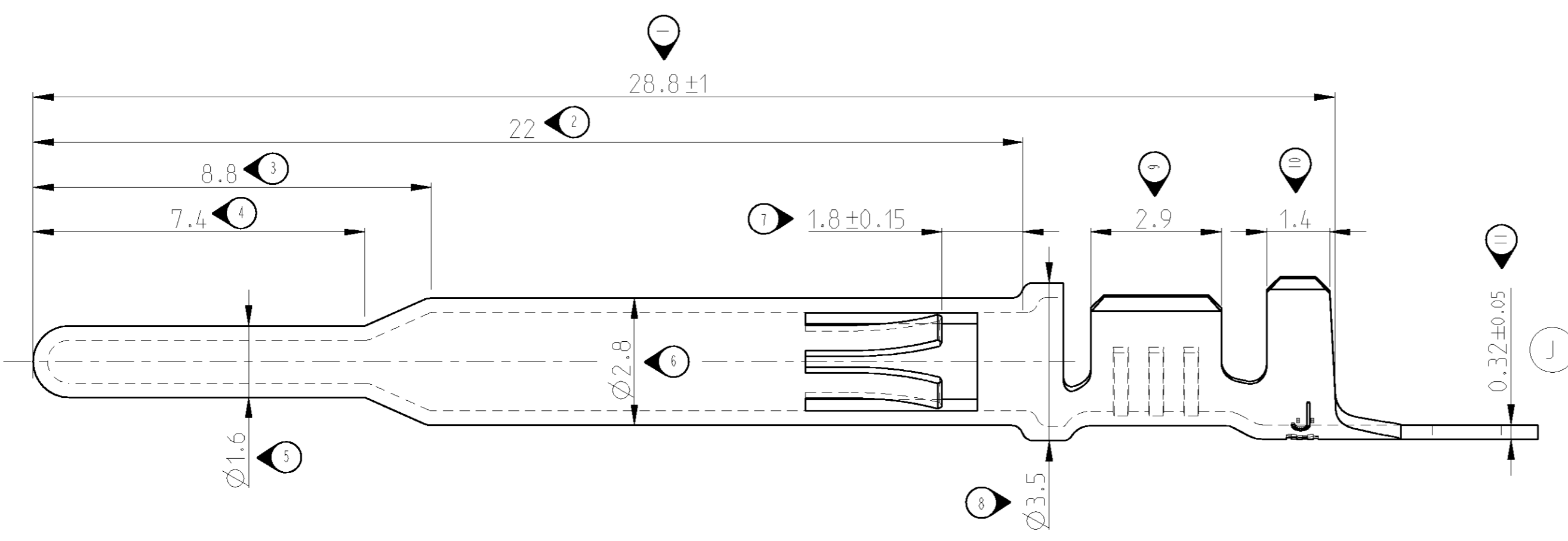
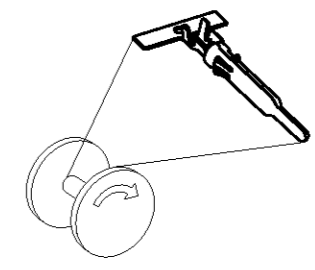


THIS DRAWING IS UNPUBLISHED. RELEASED FOR PUBLICATION 2007
 © COPYRIGHT 2007 BY TYCO ELECTRONICS CORPORATION. ALL RIGHTS RESERVED.

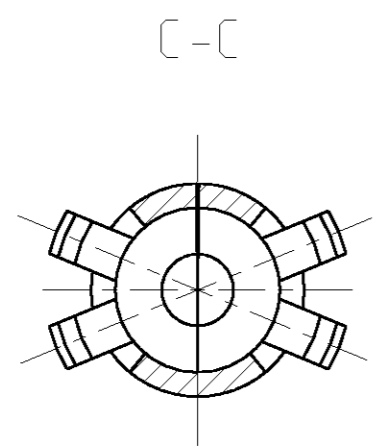
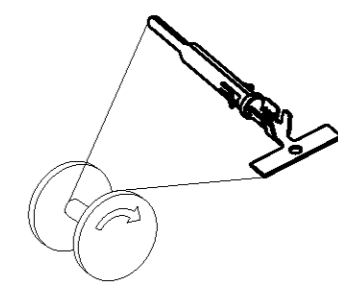
LOC	DIST	REVISIONS			
P	LTR	DESCRIPTION	DATE	DWN	APVD
J		SEE ECR-07-011920	15JUN2007	TK	RVL



J Δ REELING, DIRECTION OFF THE REEL



J Δ REELING, DIRECTION OFF THE REEL



Ø2.0-2.7	0.5-1.0	PRETINNED	CuZn30 R500	925602-1	J	Δ	925592-6
		PRETINNED	CuSn4 R520	925602-2	J	Δ	925592-5
		PRETINNED	CuSn4 R520	925602-2	J	Δ	925592-2
		PRETINNED	CuZn30 R500	925602-1	J	Δ	925592-1
INSULATION RANGE Isolations- durchmesser	WIRE RANGE DGB [mm ²]	FINISH Oberfläche	MATERIAL	TYCO ORDER No. LOOSE PIECE Einzelauflöhrung	REV		TYCO ORDER No. STRIP FORM Bandware

THIS DRAWING IS A CONTROLLED DOCUMENT FOR TYCO ELECTRONICS CORPORATION. IT IS SUBJECT TO CHANGE AND THE CONTROLLING ENGINEERING ORGANIZATION SHOULD BE CONTACTED FOR THE LATEST REVISION.		DWN T.Konecny 12 JUN 2007	Tyco Electronics Czech s.r.o. CZ - K AMP 1293, 664 34 Kurim	
DIMENSIONS: mm		CHK J.Skoda 14 JUN 2007	NAME CIC PIN CONTACT CIC Stiff	
TOLERANCES UNLESS OTHERWISE SPECIFIED: 1 PLC ±0.4 2 PLC ±0.4 3 PLC ±0.4 PLC ANGLES ±1° FINISH		APVD R.Virek 14 JUN 2007	RESTRICTED TO	
MATERIAL SEE TABLE	SEE TABLE	PRODUCT SPEC APPLICATION SPEC WEIGHT -	SIZE A2	CAGE CODE 00779
CUSTOMER DRAWING		SCALE 10:1	DRAWING NO. G-925592	SHEET 1 OF 1