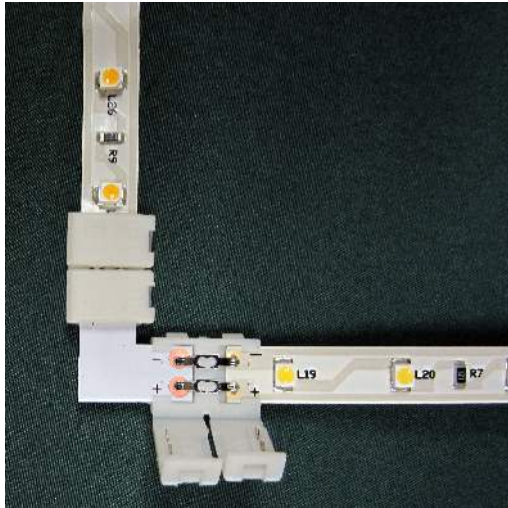
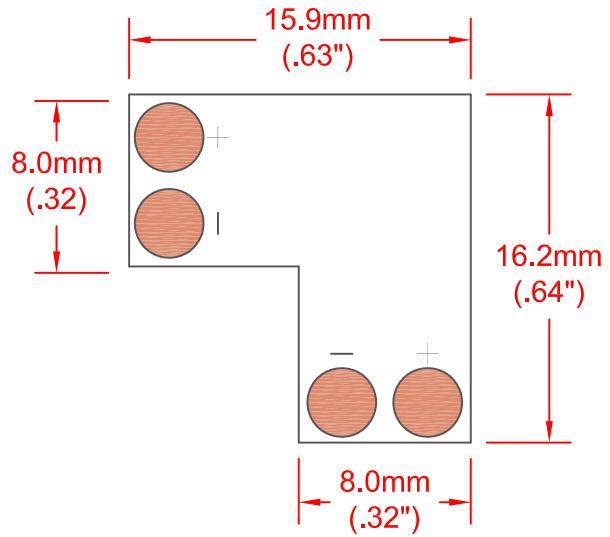




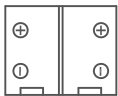
ZFS-CNL-8J



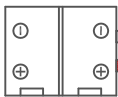
PRODUCT ASSEMBLED



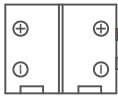
MATING COMPONENTS (Order Separately)



ZFS-CH0-8J
Connector



ZFS-CH138-8J
Jumper Connector



ZFS-CH140-8I
Input Connector

PLEASE REFER TO JKL APPLICATION SHEET: JKL-AS-ZFS-LED FLEX SOLDERLESS CONNECTORS

NOTES:

- LIMIT CURRENT TO A MAXIMUM OF 5 AMPS.
- DIMENSIONS ARE REFERENCE ONLY.

JKL PART NO.: ZFS-CNL-8J

			METRIC THIRD ANGLE PROJECTION		DIMENSIONS ARE IN mm (INCHES) TOLERANCE UNLESS OTHERWISE SPECIFIED 1 PL +/- REF. 2 PL +/- REF. ANGLE +/-		JKL COMPONENTS CORPORATION				
			DRAWN BY L. WENGSTROM		APPV'D BY L.R.		DATE 2/5/14		TITLE SOLDERLESS 8mm FLEX TAPE "L" SHAPE JOINER CONNECTOR		
RELEASED			2/5/14		SIZE A		FSCM NO. 55335		DRAWING NO. ZFS-CNL-8J		
REV. NO.	DESCRIPTION/ECO NUMBER	APPV'D DATE	- CAD DRAWING - MANUAL REVISIONS NOT PERMITTED				SCALE NONE	RELEASED DATE 2/5/14	REVISION DATE	REV. NO.	SHEET 1 OF 1