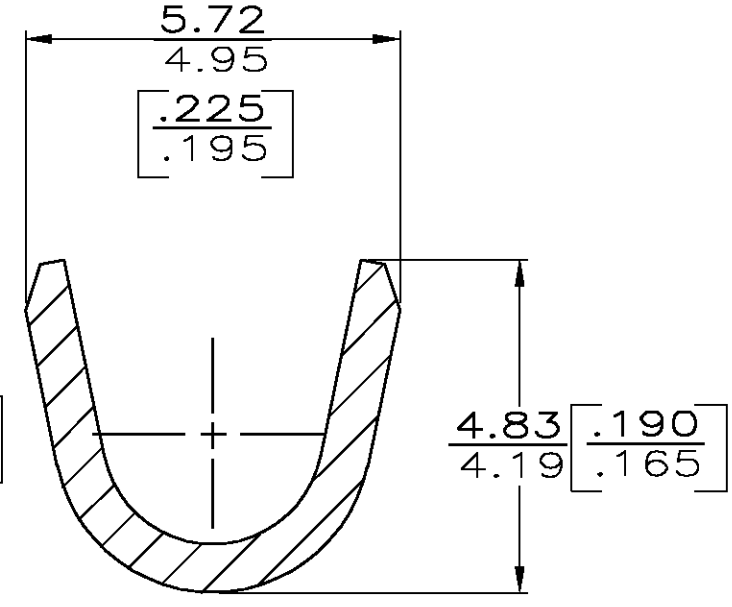
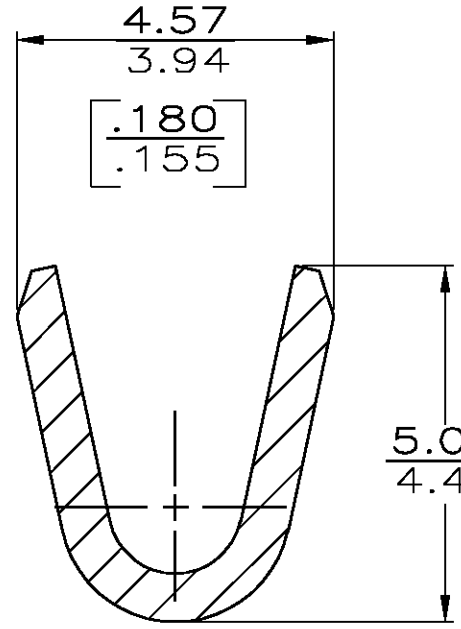
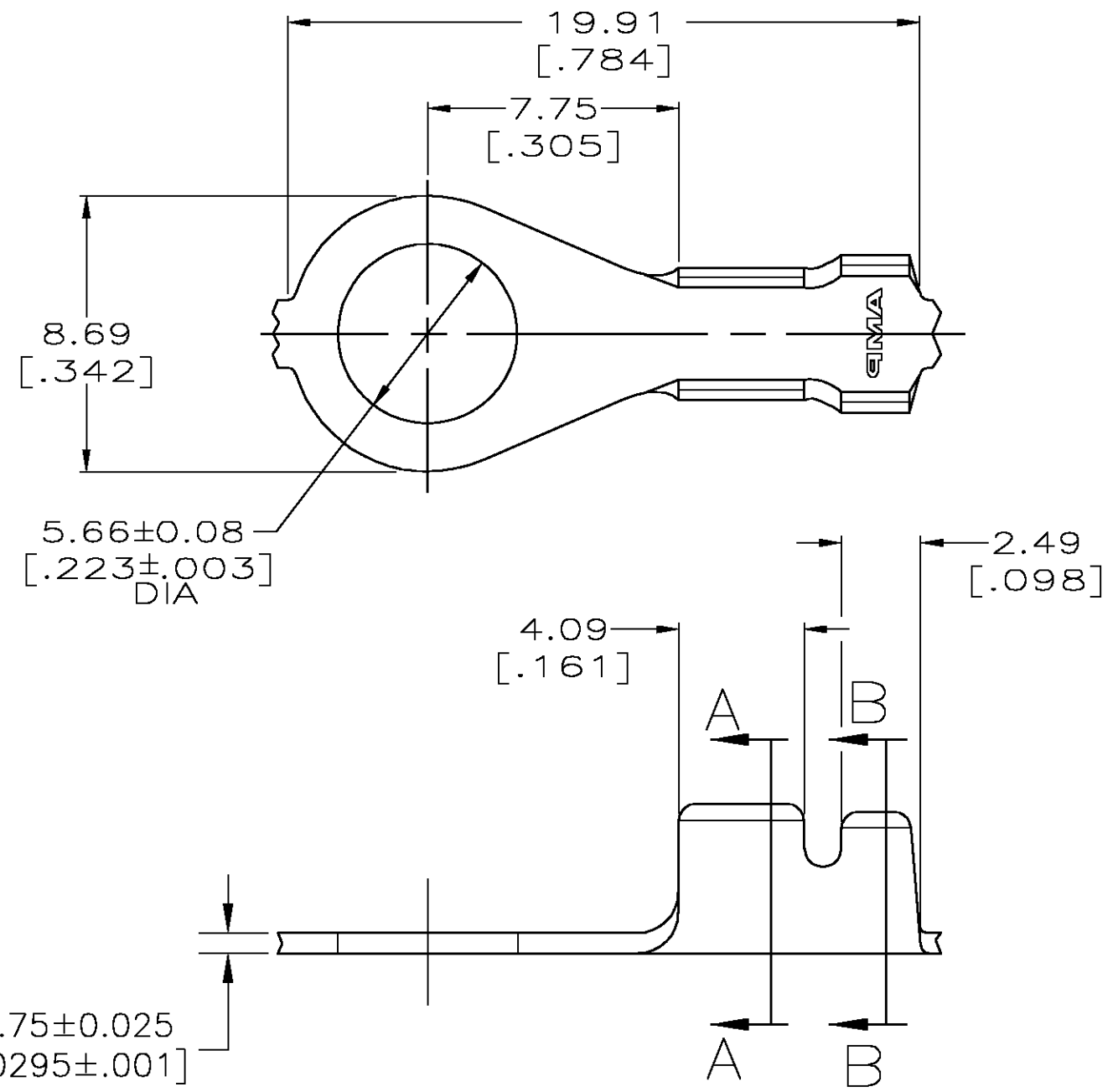


THIS DRAWING IS UNPUBLISHED. RELEASED FOR PUBLICATION  
 © COPYRIGHT BY TYCO ELECTRONICS CORPORATION. ALL RIGHTS RESERVED.

LOC	DIST	REVISIONS			
P	LTR	DESCRIPTION	DATE	DWN	APVD
AF	50	B	REV PER 0G3A-0132-05	24MAY05	JR DD

- CONTINUOUS STRIP ON REEL.
- WIRE SIZE IS {#18-#14} AWG
- INSULATION RANGE IS 2.54-3.56 [.100-.140] DIA.



63872-1  
PART NO.

THIS DRAWING IS A CONTROLLED DOCUMENT.		DWN PHILLIP M FORTNEY 13/OCT/95	Tyco Electronics Corporation Harrisburg, Pa 17105-3608													
DIMENSIONS: MM [INCHES]		CHK JEFF R RUTH 13/OCT/95	NAME RING													
TOLERANCES UNLESS OTHERWISE SPECIFIED:		APVD G YETTER 13/OCT/95	PRODUCT SPEC -													
<table border="0"> <tr><td>0 PLC</td><td>± -</td></tr> <tr><td>1 PLC</td><td>± -</td></tr> <tr><td>2 PLC</td><td>± 0.25 [.010]</td></tr> <tr><td>3 PLC</td><td>± -</td></tr> <tr><td>4 PLC</td><td>± -</td></tr> <tr><td>ANGLES</td><td>± -</td></tr> </table>		0 PLC	± -	1 PLC	± -	2 PLC	± 0.25 [.010]	3 PLC	± -	4 PLC	± -	ANGLES	± -	APPLICATION SPEC -		RESTRICTED TO -
0 PLC	± -															
1 PLC	± -															
2 PLC	± 0.25 [.010]															
3 PLC	± -															
4 PLC	± -															
ANGLES	± -															
MATERIAL 082 BRASS	FINISH -	WEIGHT -	SIZE A3	CAGE CODE 00779	DRAWING NO C-63872											
CUSTOMER DRAWING			SCALE 5:1	SHEET 1 OF 1	REV B											