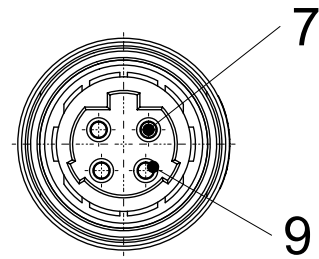
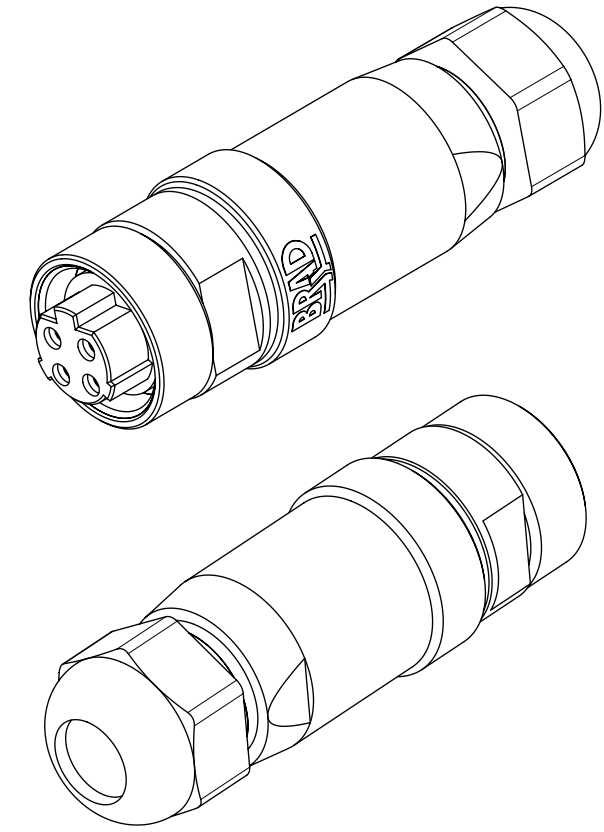


BACK SIDE INSERT ONLY A1



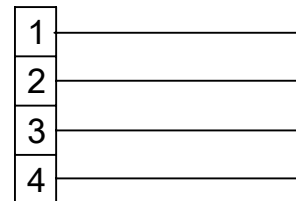
FEMALE FACE VIEW



NOTES:

- ELECTRICAL SPECIFICATION
 VOLTAGE RATING: 600VAC
 AMPERAGE RATING: max.15 AMPS
 PROTECTION: IP67
 OPERATING TEMPERATURE: -20°C TO +80°C
 FINAL OPERATING TEMPERATURE NEEDS TO BE CONFIRMED
- UL CERTIFICATION: UL LISTED AND CULUS LISTED.
 FILE NUMBER E258922
- ENGINEERING NUMBER: 1A4100-34PWR

WIRING CHART



| ITEM | QTY | COMPONENT | MATERIAL | FINISH |
|------|-----|-----------------------|---------------------|-----------|
| 1 | 1 | HUT NUT PG 13.5 | PA, BLACK | - |
| 2 | 1 | GASKET MO | NITRILE, BLACK | - |
| 3 | 1 | INSERT FE REAR | PA, BLACK | - |
| 4 | 1 | INSERT FE FRONT | SANTOPRENE, BLACK | - |
| 5 | 1 | GASKET OR | NBR, BLACK | - |
| 6 | 1 | COUPLING NUT | BRASS | Ni PLATED |
| 7 | 4 | CONTACT FE | BRASS | AU PLATED |
| 8 | 4 | SCREW M3x5 | BRASS | ZN |
| 9 | 4 | SLEEVE | STAINLESS STEEL 305 | - |
| 10 | 1 | HOUSING FA | PA, BLACK | - |
| 11 | 1 | POLYBAG 200x200x0.050 | PE | - |

RELEASE STATUS P1 RELEASE DATE 25.10.2017 08.25.14

| | | | | | | | |
|--|---|--|---------------------------------|---|--|---|--|
| QUALITY SYMBOLS A = 0 E = 0 EP = 0 V = 0 C = 0 X = 0 ■ = 0 V = 0 | THIS DRAWING CONTAINS INFORMATION THAT IS PROPRIETARY TO MOLEX ELECTRONIC TECHNOLOGIES, LLC AND SHOULD NOT BE USED WITHOUT WRITTEN PERMISSION | | DIMENSION UNITS SCALE mm 1:1 | | | | |
| | EC NO: 167046 DRWN: RSCHIEBER CHK'D: BBRAUCH REV APPR: | GENERAL TOLERANCES (UNLESS SPECIFIED) ANGULAR TOL ± 1.0 ° | | DRWN BY DATE RSCHIEBER 2016/01/25 | | FA MC 4P OC FE STR PG13.5 UNSH BK PA AU | |
| | | 4 PLACES ± 3 PLACES ± 2 PLACES ± 0.05 1 PLACE ± 0.3 0 PLACES ± 0.5 | | CHK'D BY DATE JALEXANDER 2016/03/16 | | | |
| | | DRAFT WHERE APPLICABLE MUST REMAIN WITHIN DIMENSIONS | | APPR BY DATE JALEXANDER 2016/03/16 | | | |
| A1 | | DRAFTING SIZE THIRD ANGLE PROJECTION A3 | | PRODUCT CUSTOMER DRAWING | | | |
| RELEASE STATUS P1 RELEASE DATE 25.10.2017 08.25.14 | | SERIES MATERIAL NUMBER CUSTOMER 130017 1300170065 | | DOCUMENT NUMBER DOC TYPE DOC PART SHEET NUMBER 1300170065 PSD 000 1 OF 1 | | | |