

PA17C42-DP(-PP) Data Sheet

40 pin DIP socket/44 pin PLCC plug

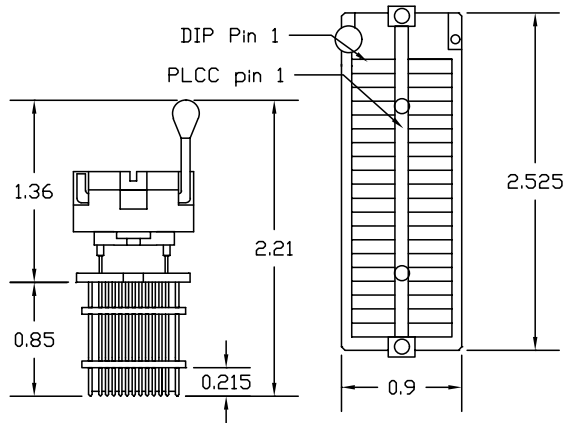
Supported Device/Footprints

The PA17C42-DP adapter accepts 40 pin DIP devices and plugs into 44 pin PLCC production sockets. This allows DIP devices, or emulators with DIP plugs, to be used during development of PLCC based products.

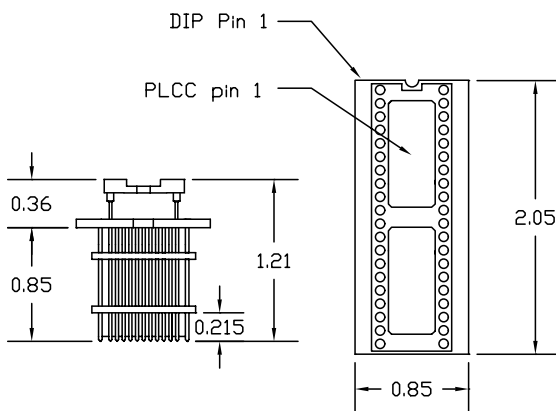
The PA17C42-DP-PP has a production socket only.

Device			Footprint	
Mfgr	Device	Package	Device	Plug
Microchip	PIC17C42	40 DIP	PIC17C42	44 PLCC
"	PIC17C42A	"	PIC17C42A	"
"	PIC17C43	"	PIC17C43	"
"	PIC17C44	"	PIC17C44	"

Adapter Dimensions



PA17C42-DP



PA17C42-DP-PP

Adapter Construction

The adapter is made up of 2 sub-assemblies. They assemble via connectors making the adapter modular. This way the sub-assemblies can be replaced when they wear out.

When disassembling the adapter take care not to bend the pins. When reassembling the adapter note the pin 1 indicators to align the parts correctly.

Test Socket

40 pin DIP test socket:

Aries Part #: 40-6554-11 LSC Part #: 40ADZ

P42-DP

Accepts the test socket and remaps the signals to the 44 PLCC plug.

Adapter Wiring

The following chart shows the connections from the DIP device to the adapter's PLCC plug.

DIP	SIGNAL	PLCC	PLCC	SIGNAL	DIP
1	Vdd	1	44	Vdd	1
N/C	-	2	43	RD0/AD8	40
2	RC0/AD0	3	42	RD1/AD9	39
3	RC1/AD1	4	41	RD2/AD10	38
4	RC2/AD2	5	40	RD3/AD11	37
5	RC3/AD3	6	39	RD4/AD12	36
6	RC4/AD4	7	38	RD5/AD13	35
7	RC5/AD5	8	37	RD6/AD14	34
8	RC6/AD6	9	36	RD7/AD15	33
9	RC7/AD7	10	35	MCLR/Vpp	32
10	Vss	11	34	Vss	31
10	Vss	12	33	Vss	31
11	RB0/CAP1	13	32	RE0/ALE	30
12	RB1/CAP2	14	31	RE1/OE	29
13	RB2/PWM1	15	30	RE2/WR	28
14	RB3/PWM2	16	29	TEST	27
15	RB4/TCLK12	17	28	RA0/INT	26
16	RB5/TCLK3	18	27	RA1/RT	25
17	RB6/RB7	19	26	RA2	24
18	OSC1	20	25	RA3	23
19	OSC2/CLKO	21	24	RA4/RX/DT	22
20	UT	22	23	RA5/TX/CK	21